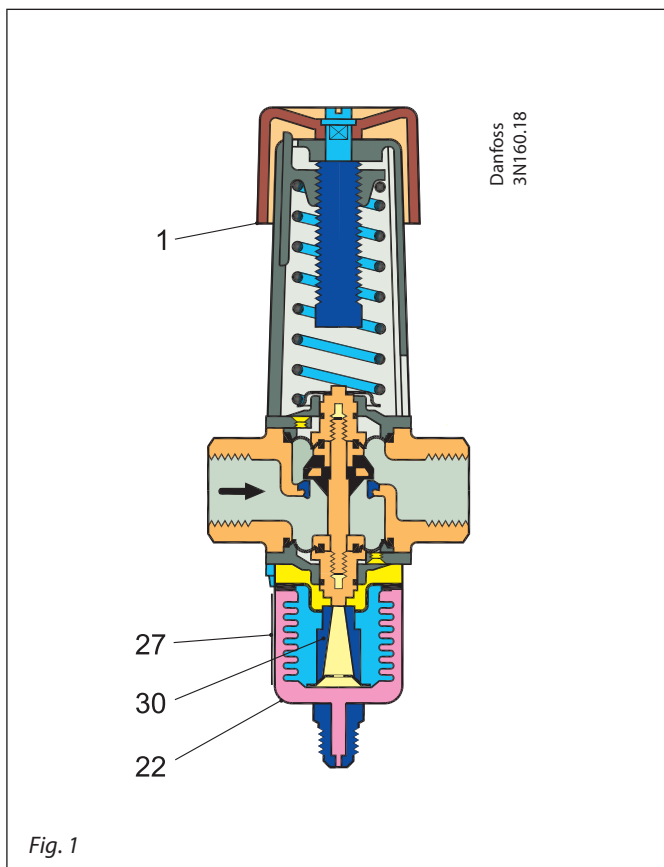
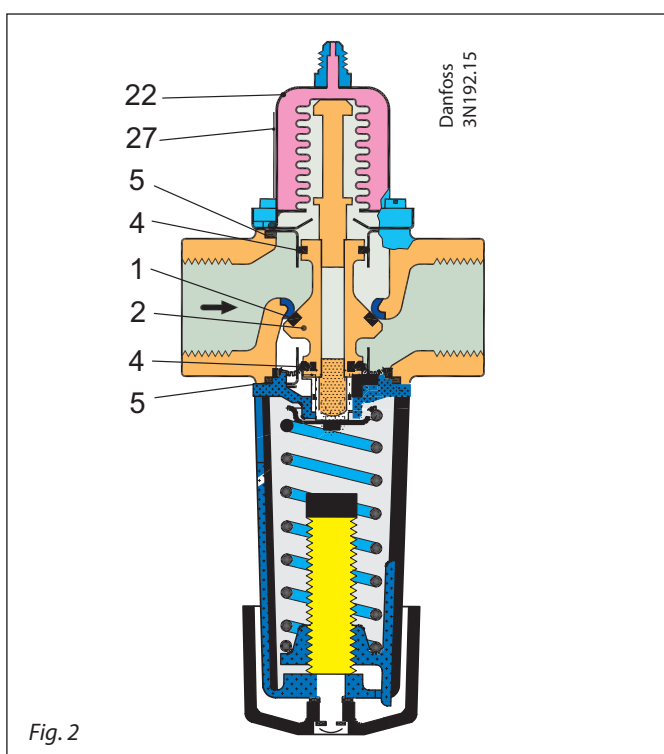


Spare parts and accessories

# Water regulating valve Types WVFX, WVS and WVTS



Pos.	Description	Qty.	Code no.
<b>WVFX 10 – 25, Plastic hand knob, fig. 1</b>			
1	Handle for adjustment	1	<b>003N0520</b>
<b>WVFX 10 – 25, Bellows unit including push pin</b>			
22	Element	1	<b>003N0070</b>
27	Label 3.5 – 16 bar	1	
27	Label 4 – 23 bar	1	
30	Thrust spindle	1	



Pos.	Description	Qty.	Code no.
<b>WVFX 32 and WVFX 40, Bellows unit, fig. 2</b>			
22	Element	1	<b>003F0070</b>
27	Product label	1	
<b>WVFX 32 and WVFX 40, Piston kit, fig. 2</b>			
1	Sleeve	1	<b>003F0071</b>
2	Piston	1	
4	O-ring	2	
5	Rubber gasket	2	
—	Grease	1	

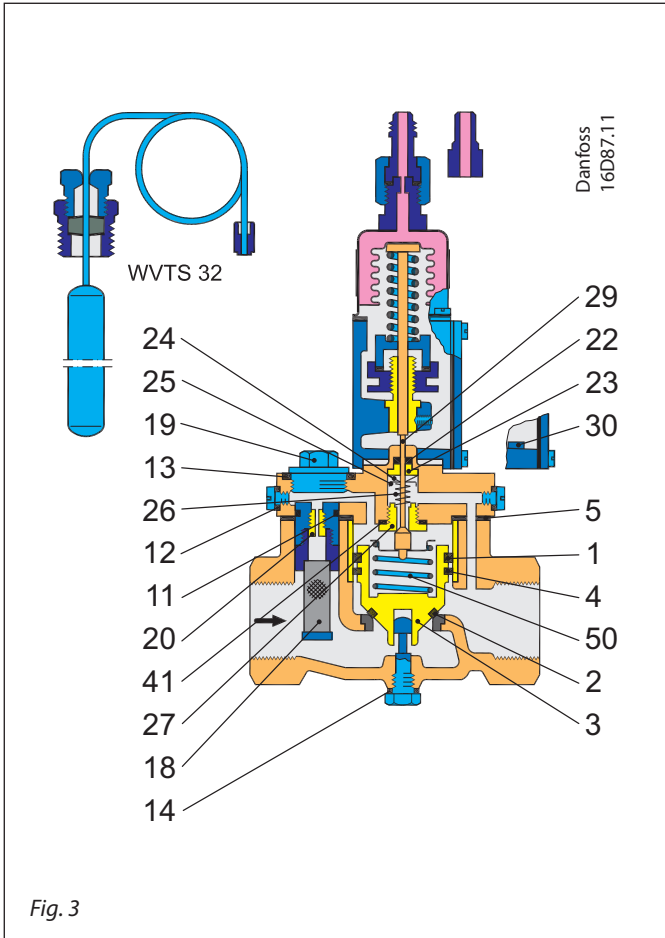


Fig. 3

Pos.	Description	Qty.	Code no.
<b>WVS 32, WVTS 32, Piston kit, fig. 3</b>			
1	Sleeve	1	<b>016D0065</b>
2	Piston seat ring	1	
3	Piston	1	
4	Piston ring	1	
5	Gasket	1	
—	Grease	1	
<b>WVS 32, WVTS 32, Pilot kit, fig. 3</b>			
22	O-ring	1	<b>016D0100</b>
23	Bushing	1	
24	Sleeve	2	
25	Spring retainer	1	
26	Spring	1	
27	Pilot plate	1	
29	Pilot cone assembly	1	
30	Screw	2	<b>016D0081</b>
41	Gasket	1	
<b>WVS32, WVTS 32, Seal and filter kit, fig. 3</b>			
11	O-ring	1	<b>016D0081</b>
12	Seal ring	2	
13	Gasket	1	
14	Gasket	1	
18	Filter assembly	1	
19	Filter holder	1	
20	Orifice	1	
41	Gasket	1	
—	Grease	1	
<b>WVS 32, WVTS 32, fig. 3</b>			
50	Spring 0 – 10 bar	1	<b>016D1327</b>

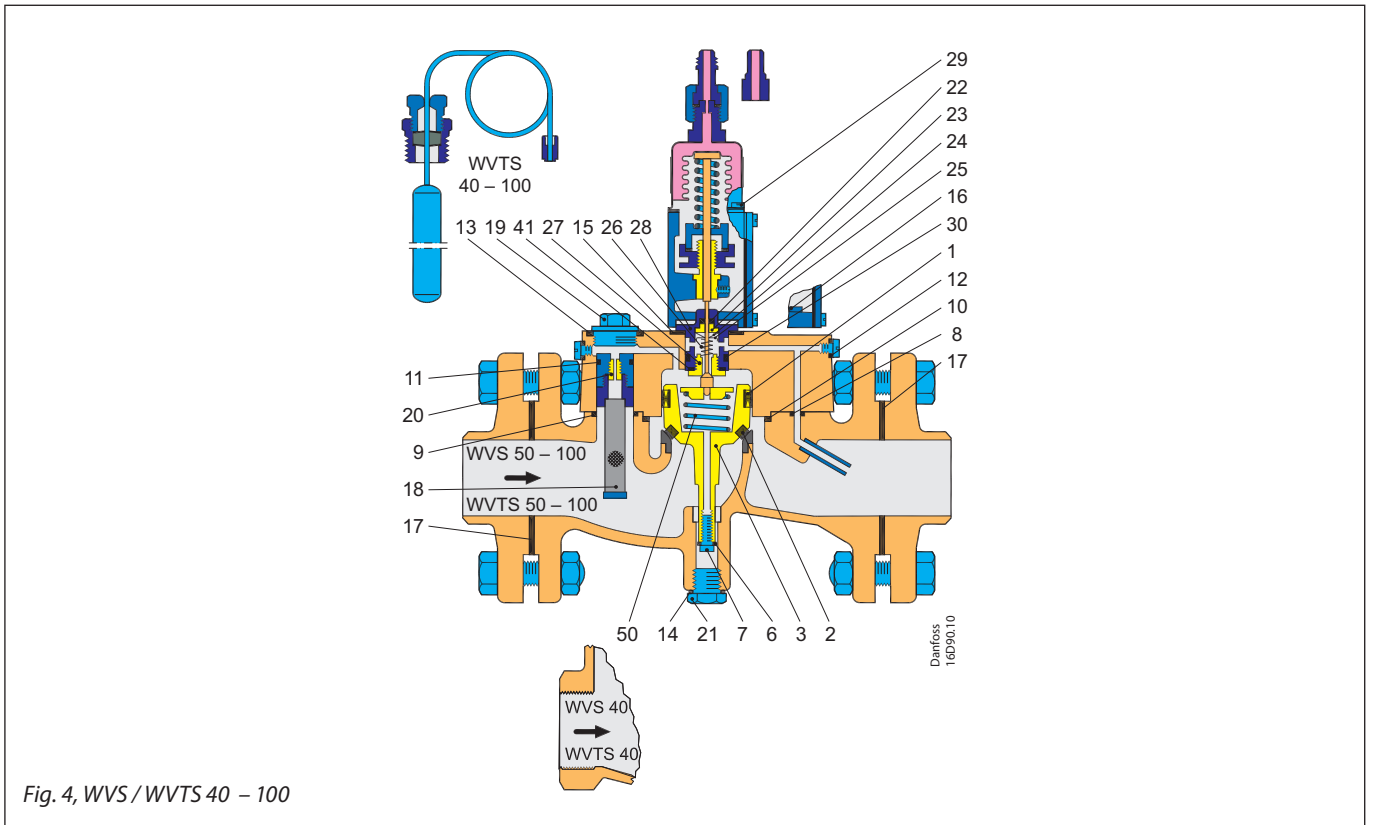


Fig. 4, WVS / WVTS 40 – 100

Size			WVS 40, WVTS 40	WVS 50, WVTS 50	WVS 65, WVTS 65	WVS 80, WVTS 80	WVS 100, WVTS 100
Pos.	Description	Qty.	Code no.	Code no.	Code no.	Code no.	Code no.
<b>Piston kit, fig. 4</b>							
1	Sleeve	1	<b>016D0060</b>	<b>016D0061</b>	<b>016D0062</b>	<b>016D0063</b>	<b>016D0064</b>
2	Piston seat ring	1					
3	Piston	1					
6	Cu gasket	1					
7	Screw	1					
8	O-ring	1					
9	O-ring	1					
10	O-ring	1					
—	Grease	1					
<b>Pilot kit, fig. 4</b>							
15	Rubber gasket	1	<b>016D0100</b>	<b>016D0100</b>	<b>016D0100</b>	<b>016D0100</b>	<b>016D0100</b>
16	O-ring	1					
22	O-ring	1					
23	Bushing	1					
24	Sleeve	2					
25	Spring retainer	1					
26	Spring	1					
27	Pilot plate	1					
28	Insert	1					
29	Pilot cone assembly	1					
30	Screw	2					
41	Gasket	1					
<b>Spring, fig. 4</b>							
50	Spring 0 – 10 bar	1	<b>016D0575</b>	<b>016D0576</b>	<b>016D0577</b>	<b>016D0578</b>	<b>016D0579</b>

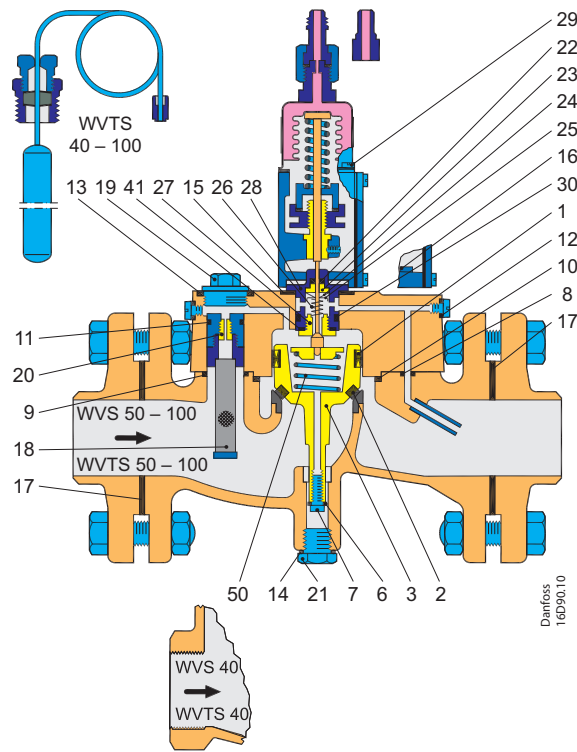


Fig. 5, WVS / WVTS 40 – 100

Size			WVS 40, WVTS 40	WVS 50, WVTS 50	WVS 65, WVTS 65	WVS 80, WVTS 80	WVS 100, WVTS 100
Pos.	Description	Qty.	Code no.	Code no.	Code no.	Code no.	Code no.
<b>Seal and filter kit, fig. 5</b>							
8	O-ring	1	<b>016D0082</b>	<b>016D0083</b>	<b>016D0084</b>	<b>016D0085</b>	<b>016D0086</b>
9	O-ring	1					
10	O-ring	1					
11	O-ring	1					
12	Seal ring	2					
13	Gasket	1					
14	Gasket	1					
15	Rubber Gasket	1					
16	O-ring	1					
17	Gasket	2					
18	Filter assembly	1					
19	Filter holder	1					
20	Orifice	1					
21	Plug	1					
—	Grease	1					