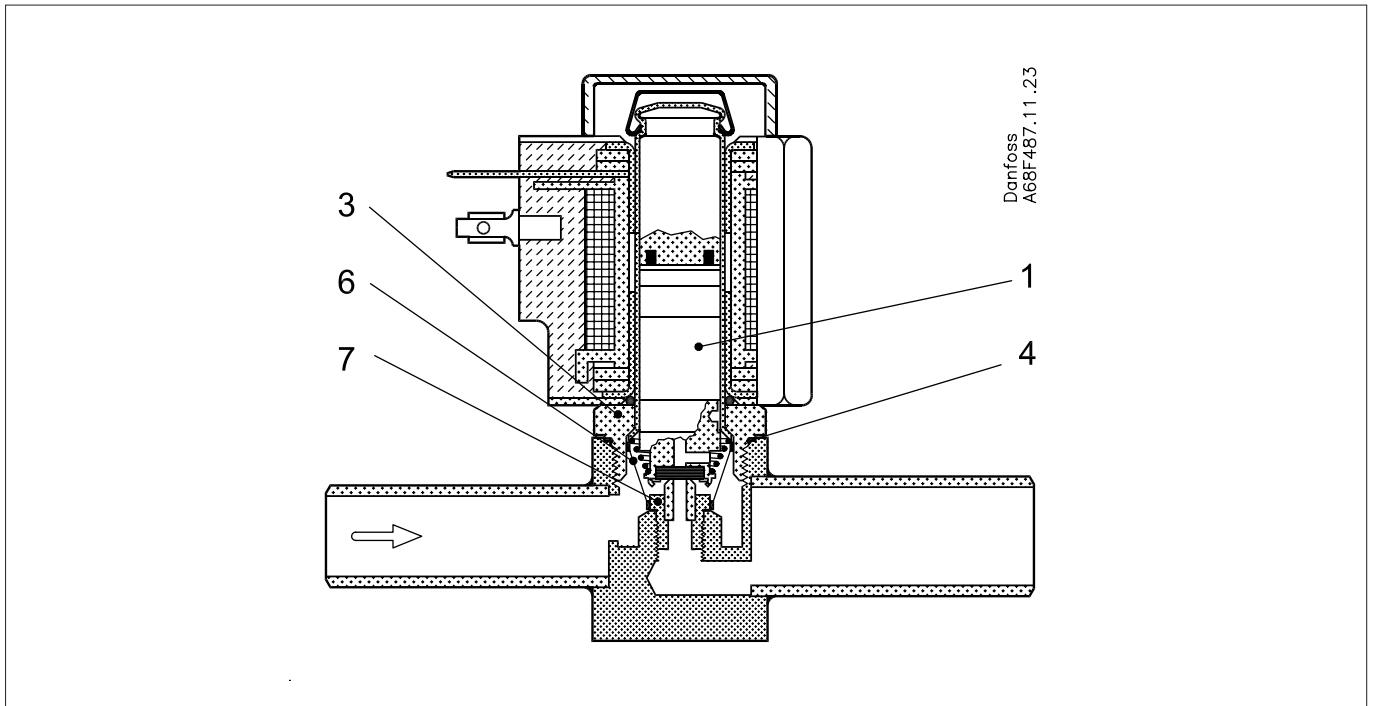


Data sheet – Spare parts and accessories

Electric expansion valve
Type AKVA 10

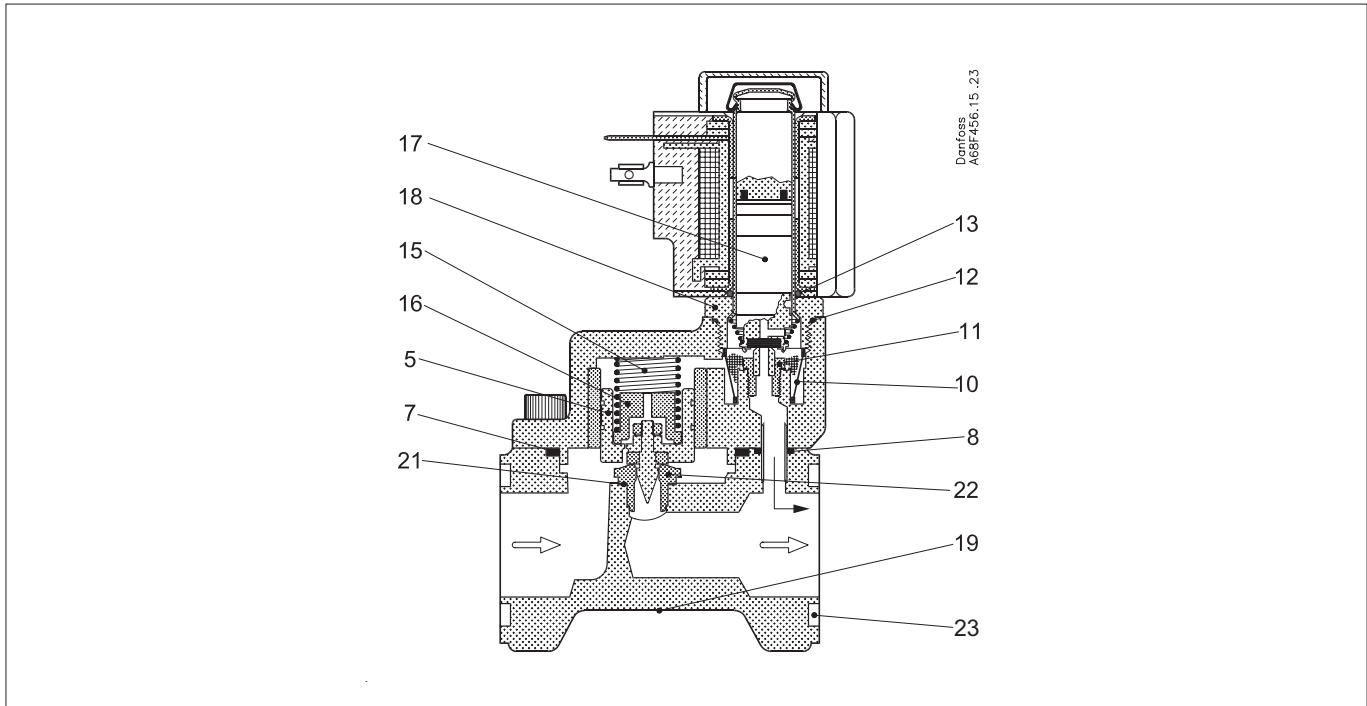


Description	Pos. #	Qty.	Code no.
Orifice			
Orifice 10-1	7	1	068F0526
Alu gasket	4	10	
Orifice 10-2	7	1	068F0527
Alu gasket	4	10	
Orifice 10-3	7	1	068F0528
Alu gasket	4	10	
Orifice 10-4	7	1	068F0529
Alu gasket	4	10	
Orifice 10-5	7	1	068F0530
Alu gasket	4	10	
Orifice 10-6	7	1	068F0531
Alu gasket	4	10	
Orifice 10-7	7	1	068F0532
Alu gasket	4	10	

Description	Pos. #	Qty.	Code no.
Filter			
Filter	6	10	068F0540
Alu gasket	4	10	
Armature set			
Armature	1	1	068F5045
Armature tube assembly	3	1	
Alu gasket	4	1	

Data sheet – Spare parts and accessories

**Electric expansion valve
Type AKVA 15**



Description	Pos. #	Qty.	Code no.
Piston kit - AKVA 15-1			
Piston assembly	5	1	068F5265
Square gasket, rubber	7	1	
O-ring	8	1	
Spring	15	1	
Insert	16	1	
Label	19	1	

Piston kit - AKVA 15-2			
Piston assembly	5	1	068F5266
Square gasket, rubber	7	1	
O-ring	8	1	
Spring	15	1	
Insert	16	1	
Label	19	1	

Piston kit - AKVA 15-3			
Piston assembly	5	1	068F5267
Square gasket, rubber	7	1	
O-ring	8	1	
Spring	15	1	
Insert	16	1	
Label	19	1	

Piston kit - AKVA 15-4			
Piston assembly	5	1	068F5268
Square gasket, rubber	7	1	
O-ring	8	1	
Spring	15	1	
Insert	16	1	
Label	19	1	

Description	Pos. #	Qty.	Code no.
Orifice set			
Main orifice	22	1	068F5261
Pilot orifice	11	1	
Alu gasket	21	1	
O-ring	8	1	
Square gasket, rubber	7	1	

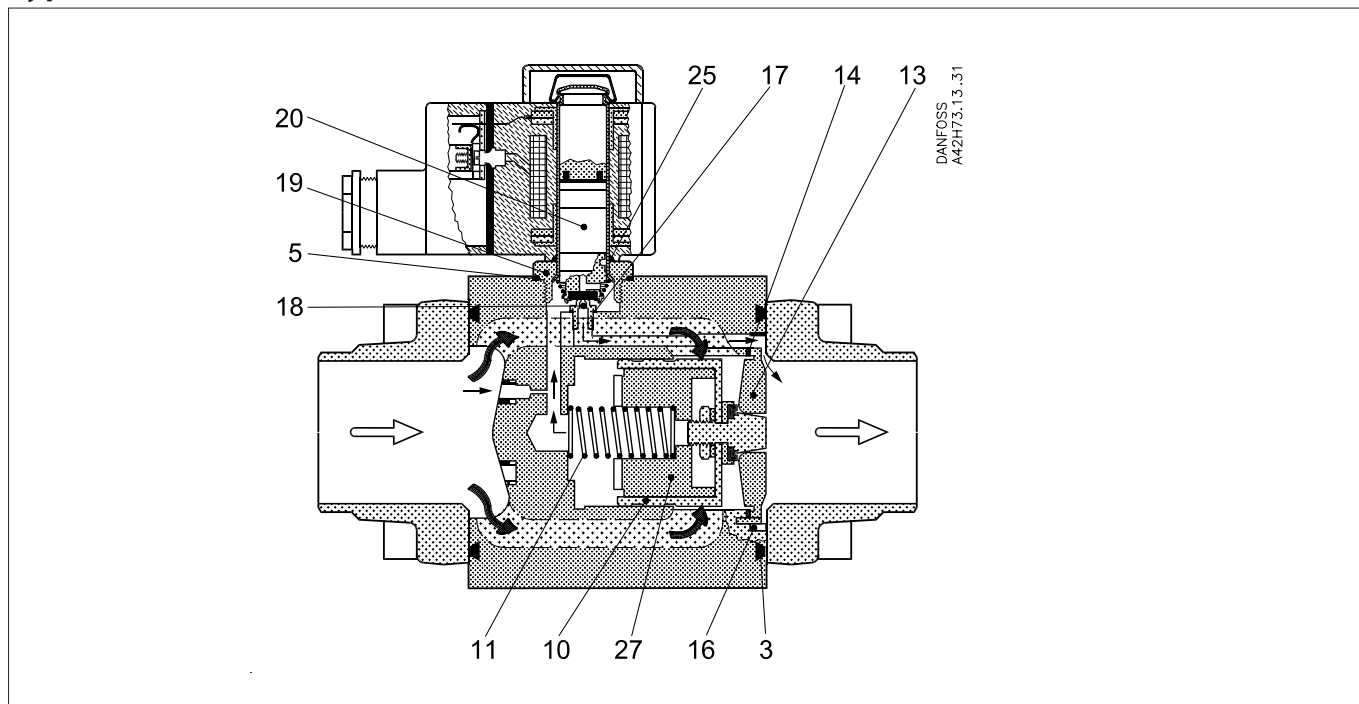
Armature set			
Armature	17	1	068F5045
Armature tube assembly	18	1	
Alu gasket	12	1	

Filter			
Filter	10	10	068F0540
Alu gasket	12	10	

Gasket set			
O-ring	8	10	068F5264
O-ring	13	10	
Alu gasket	12	10	
Alu gasket	21	10	
Square gasket, rubber	7	10	
Flange gasket	23	20	

Data sheet – Spare parts and accessories

Electric expansion valve
Type AKVA 20



Description	Pos. #	Qty.	Code no.
Piston kit - AKVA 20-0.6			
Piston assembly	10	1	042H2039
Spring	11	1	
Insert	27	1	
O-ring	14	1	
O-ring	3	2	
Piston kit - AKVA 20-1			
Piston assembly	10	1	042H2040
Spring	11	1	
Insert	27	1	
O-ring	3	2	
Piston kit - AKVA 20-2			
Piston assembly	10	1	042H2041
Spring	11	1	
Insert	27	1	
O-ring	14	1	
O-ring	3	2	
Piston kit - AKVA 20-3			
Piston assembly	10	1	042H2042
Spring	11	1	
Insert	27	1	
O-ring	14	1	
O-ring	3	2	
Piston kit - AKVA 20-4			
Piston assembly	10	1	042H2043
Spring	11	1	
Insert	27	1	
O-ring	14	1	
O-ring	3	2	

Description	Pos. #	Qty.	Code no.
Piston kit - AKVA 20-5			
Piston assembly	10	1	042H2044
Spring	11	1	
Insert	27	1	
O-ring	14	1	
O-ring	3	2	
Orifice kit (for AKVA 20-0.6, AKVA 20-1, AKVA 20-2, AKVA 20-3)			
Main orifice, dia. 8 mm	13	1	068F5270
Pilot orifice, dia. 1.2 mm	18	1	
Pin	16	1	
O-ring	3	2	
O-ring	14	1	
Alu gasket	17	1	
Orifice kit (for AKVA 20-4, AKVA 20-5)			
Main orifice, dia. 14 mm	13	1	068F5271
Pilot orifice, dia. 2.4 mm	18	1	
Pin	16	1	
O-ring	3	2	
O-ring	14	1	
Alu gasket	17	1	
Seal kit			
O-ring	3	2	042H0160
O-ring	14	1	
O-ring	25	1	
Alu gasket	5	2	
Alu gasket	17	1	
Armature set			
Armature	20	1	068F5045
Armature tube assembly	19	1	
Alu gasket	5	1	