



REFRIGERATION AND AIR CONDITIONING

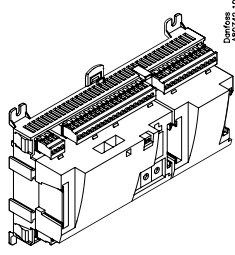
# Instructions Controller AK- With USB-B



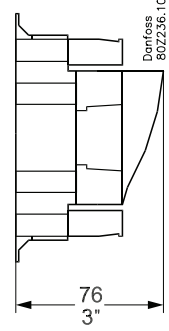
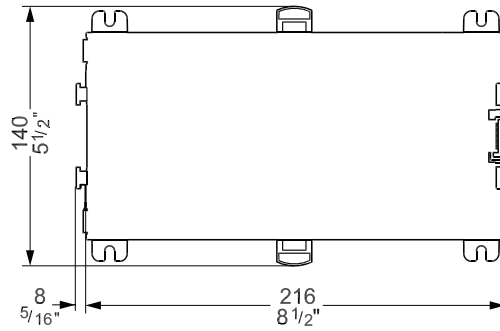
080R9343



R18TB202



Danfoss  
802236.10



Danfoss  
802236.10



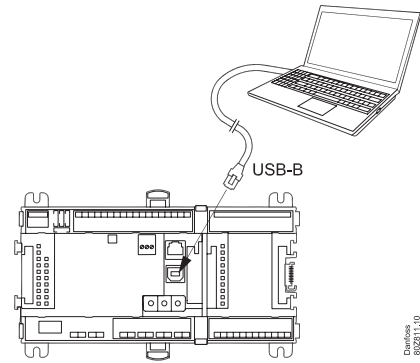
CE

-20°C <math>t\_{amb}</math> <math>< 55^{\circ}\text{C}</math>  
-0°F <math>t\_{amb}</math> <math>< 130^{\circ}\text{F}</math>  
0 - 95% RH, non condensing  
IP10 / VBG4  
UL: E31024



### Warning

Ensure power is disconnected before adding or removing Modules



Danfoss  
802311.10

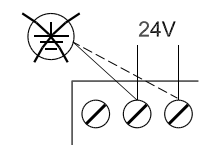
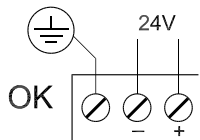
AI x 11  
DO x 8

### Supply voltage:

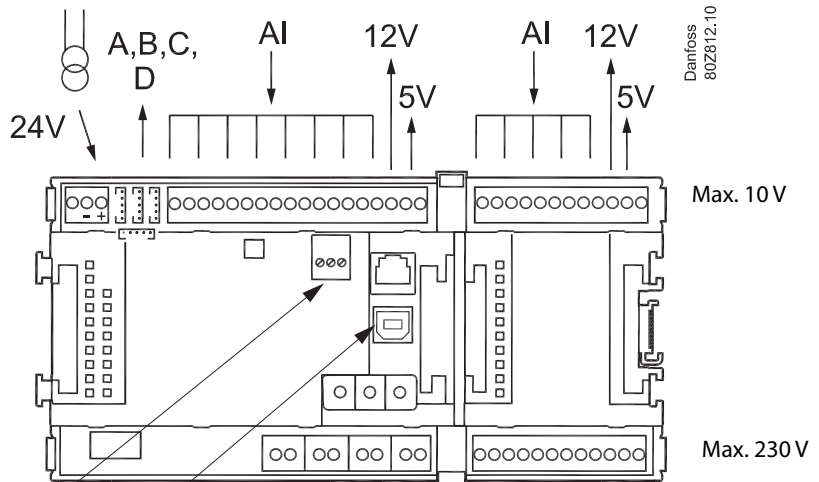
Transformer  
Class II a.c./d.c.

The 24 V must not be shared by other controllers or units

The 24 V input must not have earth connection



Danfoss  
802206.11



Danfoss  
802812.10

AK-ST500 (USB-B)

LON

ON/OFF

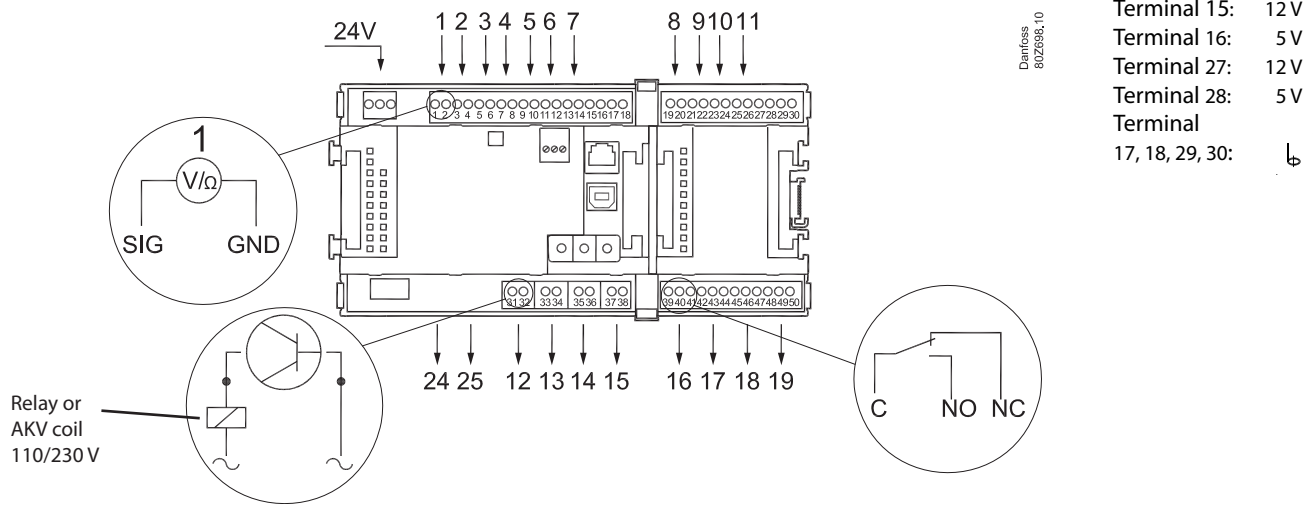
ON/OFF

Keep the safety distance  
Low and high voltage must not be connected to the same output group

$U_{min}$ : 48 V a.c.  
 $I_{max}$ : 0.5 A

SPDT:  
AC-1: 4A (ohmic)  
AC-15: 3A (Inductive)

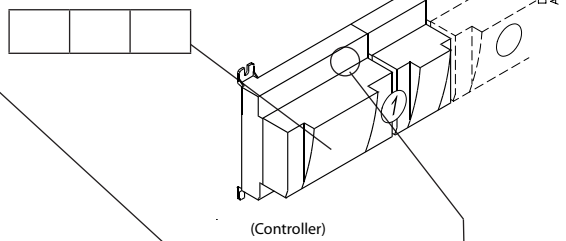
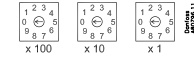
**Point**



- Terminal 15: 12V
- Terminal 16: 5V
- Terminal 27: 12V
- Terminal 28: 5V
- Terminal 17, 18, 29, 30:

	Signal	Signal type
<b>S (sensor)</b> Pt 1000 ohm/0°C 	S1 S2... Saux1 Saux2 SSA SdA	Pt 1000
<b>P (pressure)</b> AKS 32R  AKS 32 	POA POB PcA PcB	AKS 32R AKS 2050 MBS 8250 -1 - xx bar  AKS 32 -1 - zz bar
<b>U (voltage)</b> 	...	0 - 5 V 0 - 10V
<b>On/Off</b> 	Ext. Main switch Day/Night Door	<b>Active at:</b> Closed Open
<b>DO</b> 	Comp 1 Comp 2 Fan 1 Alarm	<b>Active at:</b> ON OFF
<b>AO</b> 	AO	0-10 V

**Address**



Signal	Signal type / Active at	Module	Point	Terminals
		<b>1</b>	1 (AI 1)	1 - 2
			2 (AI 2)	3 - 4
			3 (AI 3)	5 - 6
			4 (AI 4)	7 - 8
			5 (AI 5)	9 - 10
			6 (AI 6)	11 - 12
			7 (AI 7)	13 - 14
			8 (AI 8)	19 - 20
			9 (AI 9)	21 - 22
			10 (AI 10)	23 - 24
			11 (AI 11)	25 - 26
			12 (DO 1)	31 - 32
			13 (DO 2)	33 - 34
			14 (DO 3)	35 - 36
			15 (DO 4)	37 - 38
			16 (DO 5)	39 - 41
			17 (DO6)	42 - 44
			18 (DO7)	45 - 47
			19 (DO8)	48 - 50
			24 (AO1)	-
			25 (AO2)	-

The Product contains electrical components and may not be disposed together with domestic waste. Equipment must be separately collected with Electrical and Electronic waste. According to Local and currently valid legislation.