

Data Sheet

Shut-off valve Type **SVA-S** and **SVA-L**

With butt-weld connection F

Designed to meet all industrial refrigeration application requirements



SVA shut-off valves are available in angleway and straightway versions and with Standard neck (SVA-S) and Long neck (SVA-L).

The shut-off valves are designed to meet all industrial refrigeration application requirements and are designed to give favourable flow characteristics and are easy to dismantle and repair when necessary.

The valve cone is designed to ensure perfect closing and withstand a high system pulsation and vibration, which can be present specifically in the discharge line.

Features

- Modular Concept:
 - Each valve housing is available with butt-weld F connection and with several different sizes
 - Possible to convert SVA-S or SVA-L to any other product in the Flexline™ SVL family (regulating valve, check & stop valve, check valve or strainer) just by replacing the complete top part
- Fast and easy valve overhaul service. It is easy to replace the top part and no welding is needed
- Optional accessories:
 - Heavy duty industrial hand wheel for frequent operation
 - Cap for infrequent operation
- Available in angleway and straightway versions with Standard neck or Long neck (DN 15 to DN 40) for insulated systems
- Each valve type is clearly marked with type, size and performance range
- The valves and caps are prepared for sealing, to prevent operation by unauthorized persons, using a seal wire
- Internal metal backseating:
 - DN 15-65 (1/2-2 1/2 in.)
- Internal PTFE backseating:
 - DN 80-200 (3-8 in.)
- Can accept flow in both directions
- Housing and bonnet material is low temperature steel according to requirements of the Pressure Equipment Directive and other international classification authorities
- Equipped with stainless steel bolts
- Classification: DNV, CRN, BV, EAC etc. To get an updated list of certification on the products please contact your [local Danfoss Sales Company](#)

Media

Refrigerants

Applicable to HCFC, HFC, R717 (Ammonia) and R744 (CO₂). For further information please see installation guide for SVA.

New refrigerants

Danfoss products are continually evaluated for use with new refrigerants depending on market requirements.

When a refrigerant is approved for use by Danfoss, it is added to the relevant portfolio, and the R number of the refrigerant (e.g. R513A) will be added to the technical data of the code number. Therefore, products for specific refrigerants are best checked at store.danfoss.com/en/, or by contacting your local Danfoss representative.

Product specification

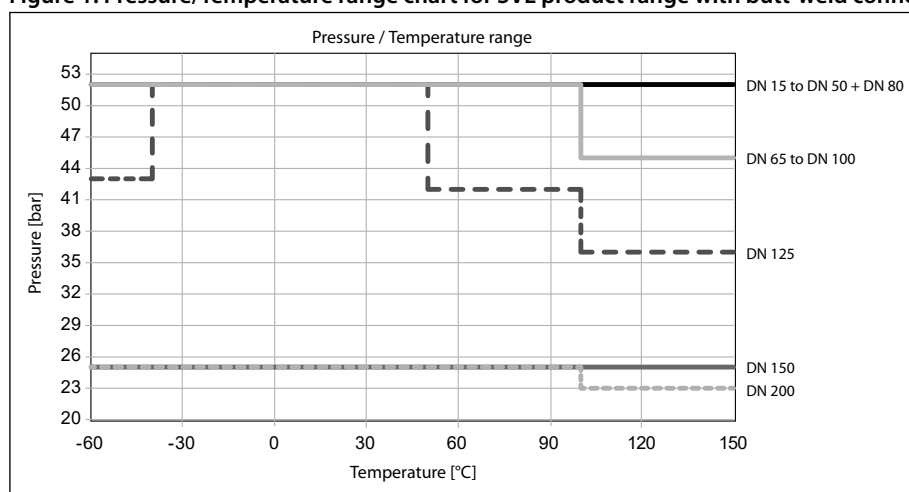
Pressure and temperature data

Table 1: Pressure and temperature range

Features	Description
Temperature range	-60 °C/+150 °C (-76 °F /+302 °F)
Max. working pressure	52 bar (754 psig) for DN15 to DN 125
	25 bar (362 psig) for DN 150 to DN 200

For more detail on pressure and temperature range; please see below.

Figure 1: Pressure/Temperature range chart for SVL product range with butt-weld connection F



For valve sizes DN 15 to DN 50 and DN 80:

52 bar (754 psig) at -60 °C to +150 °C (-76 °F to +302 °F).

For valve sizes DN 65 and DN100:

52 bar (754 psig) at -60 °C to +100 °C (-76 °F to +212 °F),
45 bar (652 psig) at +100 °C to +150 °C (+212 °F to +302 °F).

For valve size DN 125:

52 bar (754 psig) at -40 °C to +50 °C (-40 °F to +122 °F)
43 bar (623 psig) at -60 °C to -40 °C (-76 °F to -40 °F),
42 bar (609 psig) at +50 °C to +100 °C (+122 °F to +212 °F),
36 bar (522 psig) at +100 °C to +150 °C (+212 °F to +302 °F).

For valve size DN 150:

25 bar (362 psig) at -60 °C to +150 °C (-76 °F to +302 °F).

For valve size DN 200:

25 bar (362 psig) at -60 °C to +100 °C (-76 °F to +212 °F),
23 bar (333 psig) at +100 °C to +150 °C (+212 °F to +302 °F).

SVL housings with other connection types (DIN, ANSI, SOC and thread) are approved for a maximum working pressure of 52 bar (754 psi g) at -60 °C to +150 °C (-76 °F to +302 °F) for all sizes.

The reduced pressure in some of the SVL housings with connection type F is caused by the welding onto stainless steel pipes with reduced pipe size.

Connections

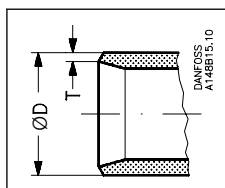


Table 2: F - connection

Size	Size	ØD	T	ØD	T	k_v -angle	k_v -straight	C_v -angle	C_v -straight
mm	in.	mm	mm	in.	in.	m ³ /h	m ³ /h	US _{gal} /min	US _{gal} /min
15	½	21.3	2	0.839	0.079	7	4.9	8.1	5.7
20	¾	26.9	2	1.059	0.079	14.6	10.2	16.9	11.8
25	1	33.7	2	1.327	0.079	24.8	17.4	28.8	20.2
32	1¼	42.4	2	1.669	0.079	42.6	29.8	49.4	34.6
40	1¼	48.3	2	1.902	0.079	45.2	31.6	52.4	36.7
50	2	60.3	2	2.37	0.079	80	65	93	76
65	2½	76.1	2	3	0.079	120	97	140	113
80	3	90.9	2	3.579	0.118	182	152	211	176
100	4	116.3	2	4.579	0.118	313	278	363	323
125	5	141.7	2	5.579	0.118	514	470	596	545
150	6	170.3	2	6.705	0.118	785	597	911	693
200	8	221.1	2	8.705	0.118	1168	1024	1355	1188

Connection:

- Butt-weld connection "F"
 - DN 15 to 65 size: 2 mm thick
 - DN 80 -200 size: 3 mm thick

Design

Housing

Made of special, cold resistant steel

Valve cone

The valve cone can be turned on the spindle, thus there will be no friction between the cone and the seat when the valve is opened and closed and the special design will avoid cone spin due to pulsation and vibration when the valve is in open position. A teflon tightening ring provides perfect sealing with minimum closing force.

Spindle

Made of polished stainless steel, ideal for leap seal sealing.

Packing gland

The low temperature packing gland ensures a perfect tightness. The packing glands are equipped with a scraper ring to prevent penetration of dirt and ice into the packing gland.

Installation

It is recommended that the valves be installed in the direction of flow indicated by the arrow on the valve body. The valve can be installed in the opposite direction but this slightly reduces the k_v -value (C_v -value).

Shut-off valve, type SVA-S and SVA-L, With butt-weld connection F

No.	Part	Material	EN	ISO	ASTM
14	Handwheel	Steel			
17	Cap	Aluminium			
18	Gasket for cap	Nylon			
19	Locking nut	Steel			
20	Screw	Steel			
22	Disk spring	Steel			

Table 5: SVA-S 25-40 (1 - 1½ in.)

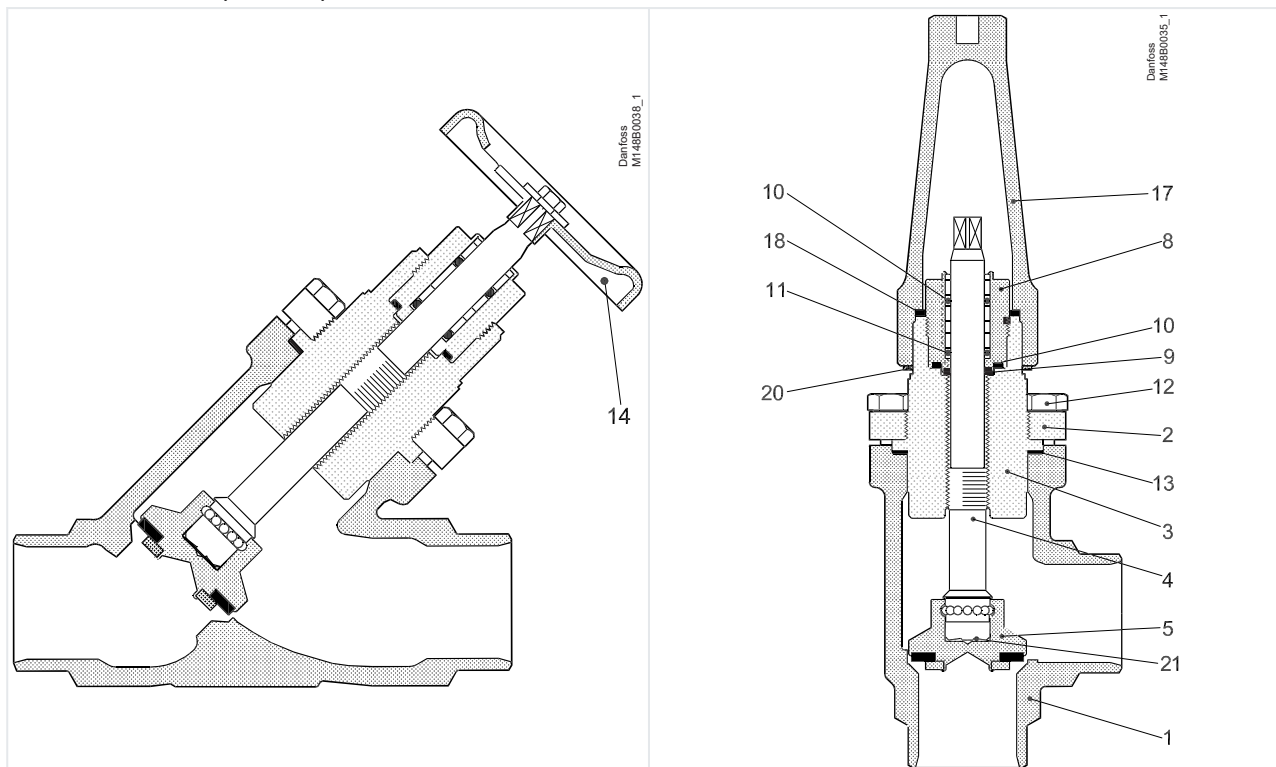


Table 6: Material specification

No.	Part	Material	EN	ISO	ASTM
1	Housing	Steel	G20Mn5QT, 10213-3		LCC, A352
			P285QH+QT, 10222-4		LF2, A350
2	Bonnet, Flange	Steel	G20Mn5QT, 10213-3		LCC, A352
			P285QH+QT, 10222-4		LF2, A350
			P275NL, 10028-3		
3	Bonnet, Insert	Steel	11SMn30 10087	Type 2 R 683/9	AISI 1213
4	Spindle	Stainless steel	X8CrNiS18-9 10088	Type 17 683/13	AISI 303
5	Cone	Steel	11SMn30 10087	Type 2 R 683/9	AISI 1213
8	Packing gland	Stainless steel	X8CrNiS18-9 10088	Type 17 683/13	AISI 303
9	Packing washer	Aluminium			
10	O-ring	Chloroprene (Neoprene)			
11	Spring loaded Teflon ring	PTFE			
12	Bolts	Stainless steel	A2-70	A2-70	Type 308
13	Gasket	Fiber, Non-asbestos			
14	Handwheel	Steel			
17	Cap	Aluminium			
18	Gasket for cap	Nylon			
20	Identification ring	Stainless steel			
21	Disk spring	Steel			

Shut-off valve, type SVA-S and SVA-L, With butt-weld connection F

Table 7: SVA-L 15 - 40 (½ - 1½ in.)

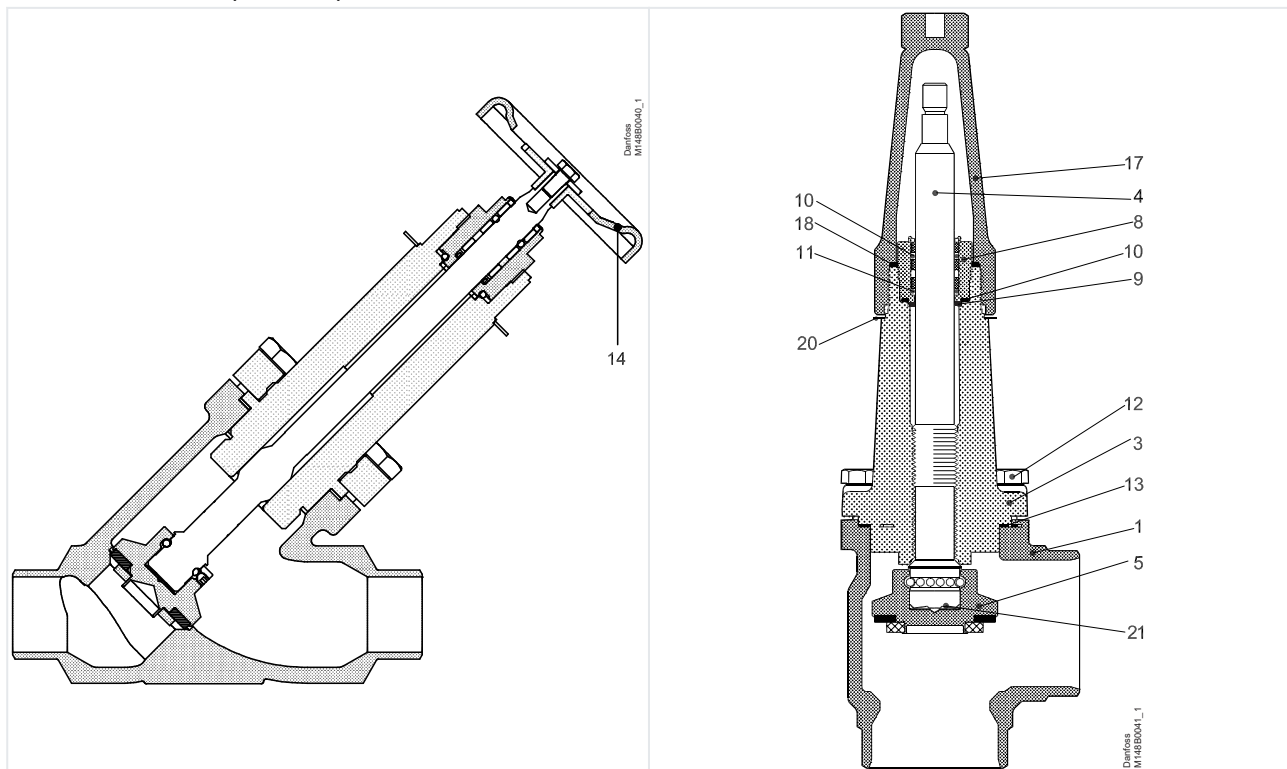


Table 8: Material specification

No.	Part	Material	EN	ISO	ASTM
1	Housing	Steel	G20Mn5QT, 10213-3		LCC, A352
			P285QH+QT, 10222-4		LF2, A350
3	Valve bonnet	Steel	G20Mn5QT, 10213-3		LCC, A352
			P285QH+QT, 10222-4		LF2, A350
4	Spindle	Stainless steel	X8CrNiS18-9 10088	Type 17 683/13	AISI 303
5	Cone	Steel	11SMn30 10087	Type 2 R 683/9	AISI 1213
8	Packing gland	Stainless steel	X8CrNiS18-9 10088	Type 17 683/13	AISI 303
9	Packing washer	Aluminium			
10	O-ring	Chloroprene (Neoprene)			
11	Spring loaded Teflon ring	PTFE			
12	Bolts	Stainless steel	A2-70	A2-70	Type 308
13	Gasket	Fiber, Non-asbestos			
14	Hand wheel	Steel			
17	Cap	Aluminium			
18	Gasket for cap	Nylon (PA6)			
20	Identification ring	Stainless steel			
21	Disk spring	Steel			

Shut-off valve, type SVA-S and SVA-L, With butt-weld connection F

Table 9: SVA-S 50-65 (2 - 2½ in.)

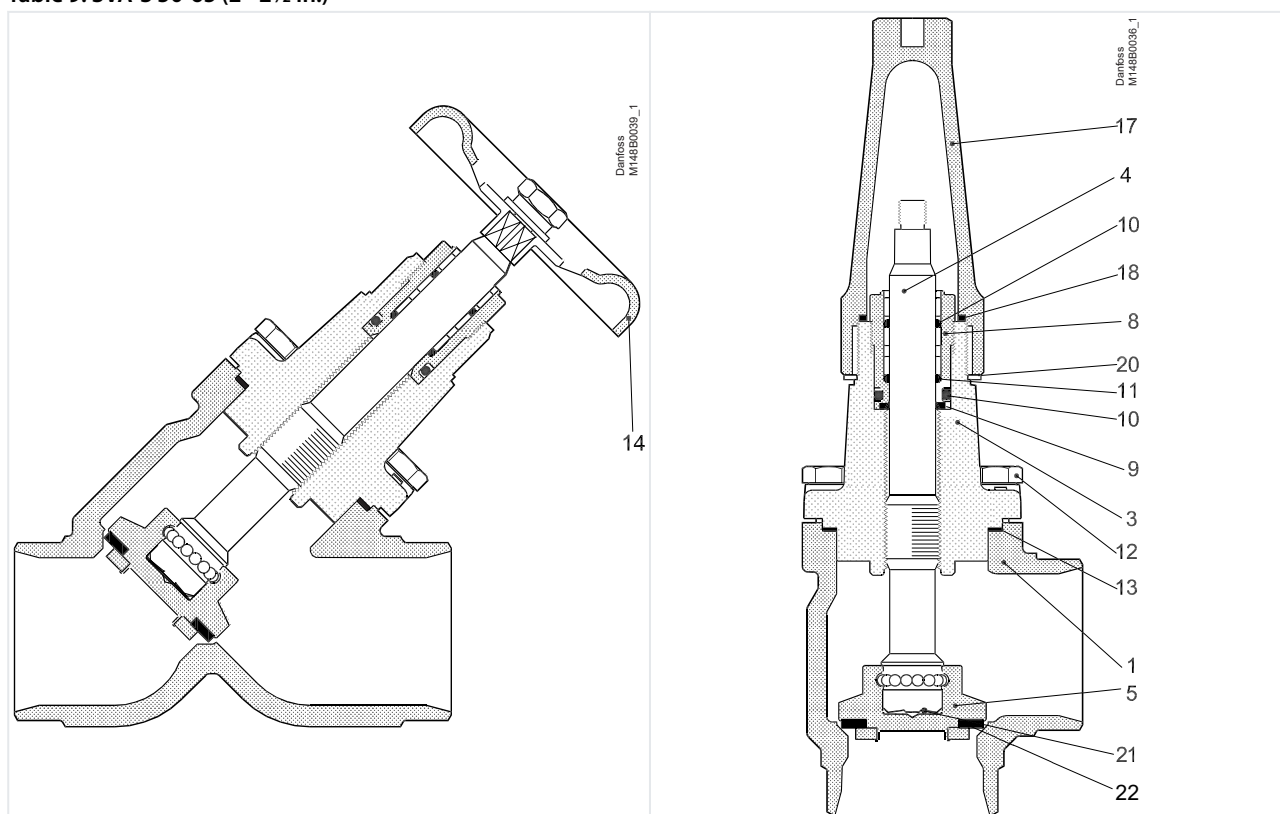


Table 10: Material specification

No.	Part	Material	EN	ISO	ASTM
1	Housing	Steel	G20Mn5QT, 10213-3		LCC, A352
			P285QH+QT, 10222-4		LF2, A350
3	Valve bonnet	Steel	G20Mn5QT, 10213-3		LCC, A352
			P285QH+QT, 10222-4		LF2, A350
	Spindle	Stainless steel	X8CrNiS18-9 10088	Type 17 683/13	AISI 303
5	Cone	Steel	11SMn30 10087	Type 2 R 683/9	AISI 1213
8	Packing gland	Stainless steel	X8CrNiS18-9 10088	Type 17 683/13	AISI 303
9	Packing washer	Aluminium			
10	O-ring	Chloroprene (Neoprene)			
11	Spring loaded Teflon ring	PTFE			
12	Bolts	Stainless steel	A2-70	A2-70	Type 308
13	Gasket	Fiber, Non-asbestos			
14	Handwheel	Steel			
17	Cap	Aluminium			
18	Gasket for cap	Nylon			
19	Locking nut	Steel			
20	Identification ring	Stainless steel			

Shut-off valve, type SVA-S and SVA-L, With butt-weld connection F

Table 11: SVA-S 80 - 150 (3 - 6 in.)

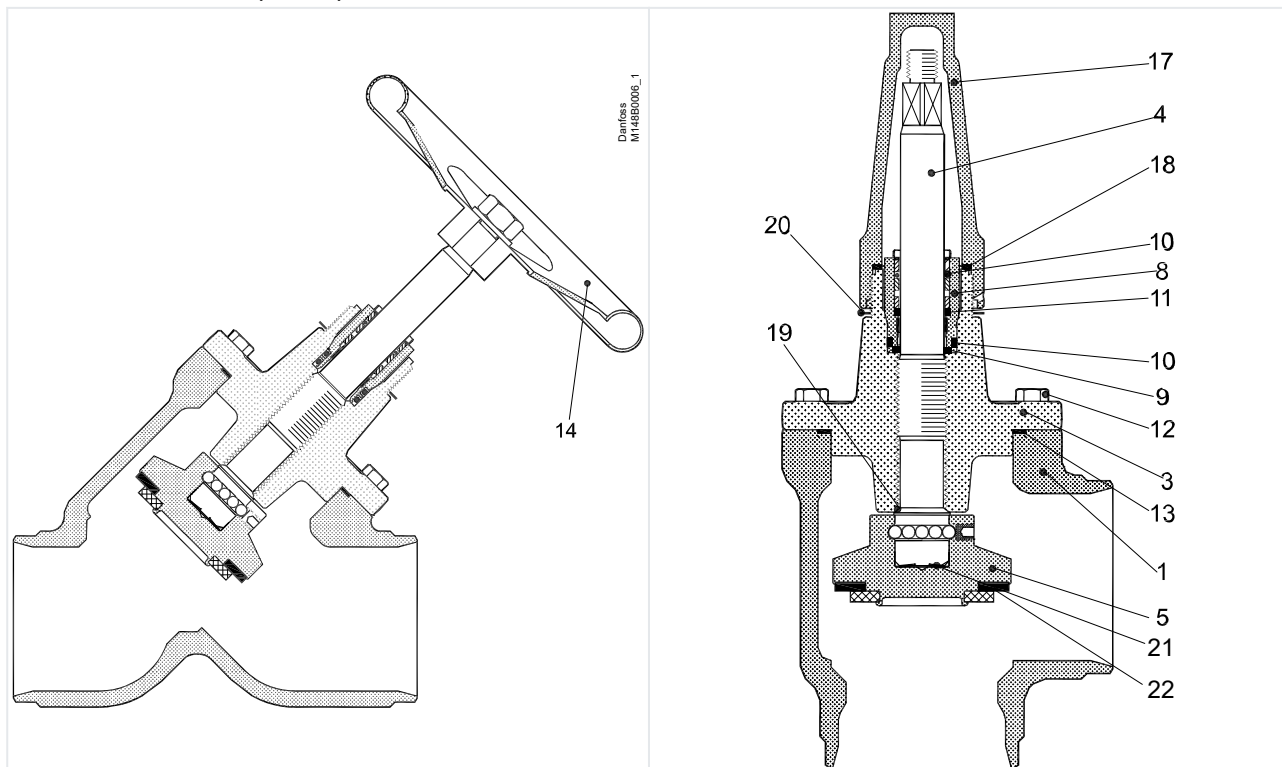


Table 12: Material specification

No.	Part	Material	EN	ISO	ASTM
1	Housing	Steel	G20Mn5QT 10213-3		LCC A352
3	Valve bonnet	Steel	G20Mn5QT, 10213-3 P285QH+QT, 10222-4		LCC, A352 LF2, A350
4	Spindle	Stainless steel	X5CrNi18-10 10088	Type 11, R 683/13	AISI 304, A276
5	Cone Cone seal	Steel	11SMn30	Type 2, R 683/9	AISI 1213
		Teflon (PTFE)	10087		
8	Packing gland	Stainless steel	X8CrNiS18-9 10088	Type 17 R 683/13	AISI 303
9	Packing washer	Aluminium			
10	O-ring	Chloroprene (Neoprene)			
11	Spring loaded Teflon ring	PTFE			
12	Bolts	Stainless steel	A2-70	A2-70	Type 308
13	Gasket	Fiber, Non-asbestos			
14	Hand wheel	Steel			
17	Cap	Aluminium			
18	Gasket for cap	Nylon (PA 6)			
19	Soft backseat	Teflon (PTFE)			
20	Identification ring	Stainless steel			
22	Disk spring	Steel			

Shut-off valve, type SVA-S and SVA-L, With butt-weld connection F

Table 13: SVA-S 200 (8 in.)

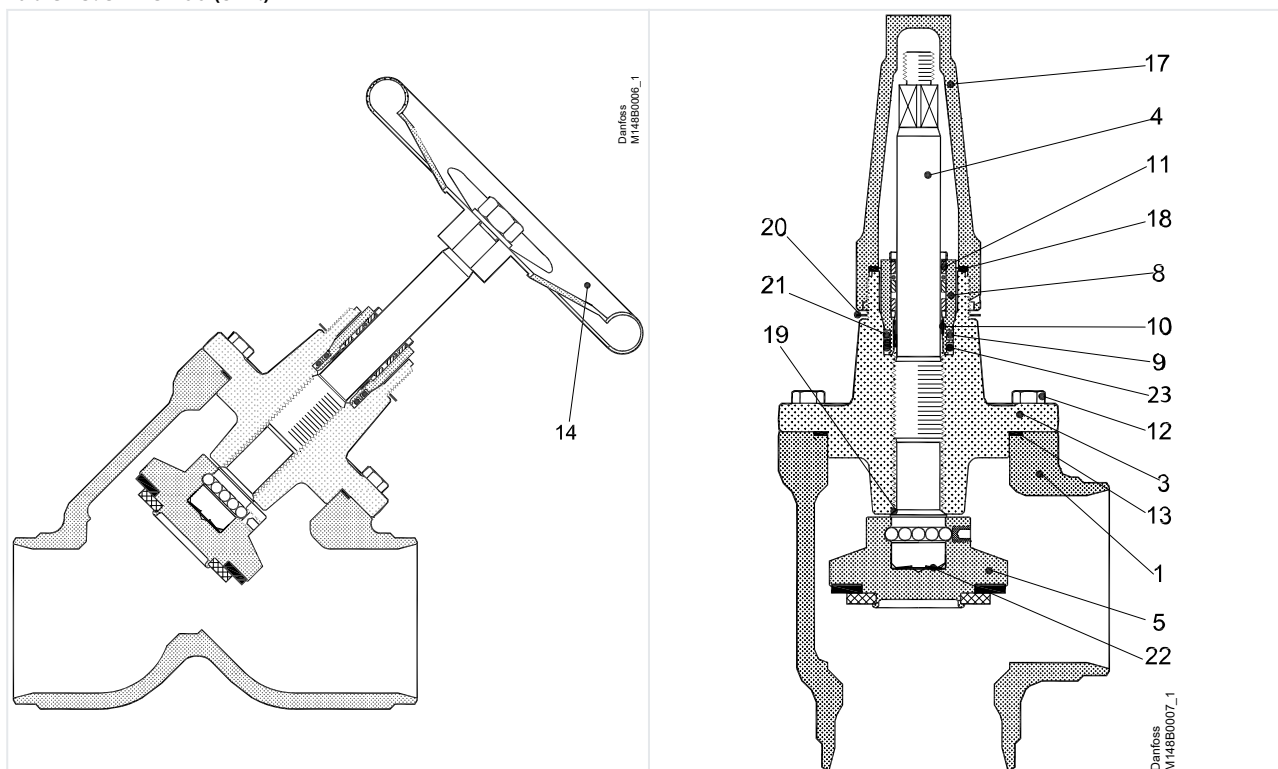


Table 14: Material specification

No.	Part	Material	EN	ISO	ASTM
1	Housing	Steel	G20Mn5QT 10213-3		LCC A352
3	Valve bonnet	Steel	G20Mn5QT, 10213-3 P285QH+QT, 10222-4		LCC, A352 LF2, A350
4	Spindle	Stainless steel	X5CrNi18-10 10088	Type 11, R 683/13	AISI 304, A276
5	Cone Cone seal	Steel Teflon (PTFE)	11SMn30 10087	Type 2, R 683/9	AISI 1213
8	Packing gland	Stainless steel	X8CrNiS18-910088	Type 17R 683/13	AISI 303
9	O-ring	Chloroprene (Neoprene)			
10	Spring loaded Teflon ring	PTFE			
11	O-ring	Chloroprene (Neoprene)			
12	Bolts	Stainless steel	A2-70	A2-70	Type 308
13	Gasket	Fiber, Non-asbestos			
14	Hand wheel	Steel			
15	Washer	Stainless steel			
16	Nut	Stainless steel			
17	Cap	Aluminium			
18	Gasket for cap	Nylon (PA 6)			
19	Soft backseat	Teflon (PTFE)			
20	Identification ring	Stainless steel			
21	Wear ring	Teflon (PTFE)			
22	Disk spring	Steel			
23	O-ring	PTFE/Chloroprene (Neoprene)			

Dimensions and weights

Table 15: SVA 15 - 40 (½ - 1½ in.) in angleway version with cap / hand wheel

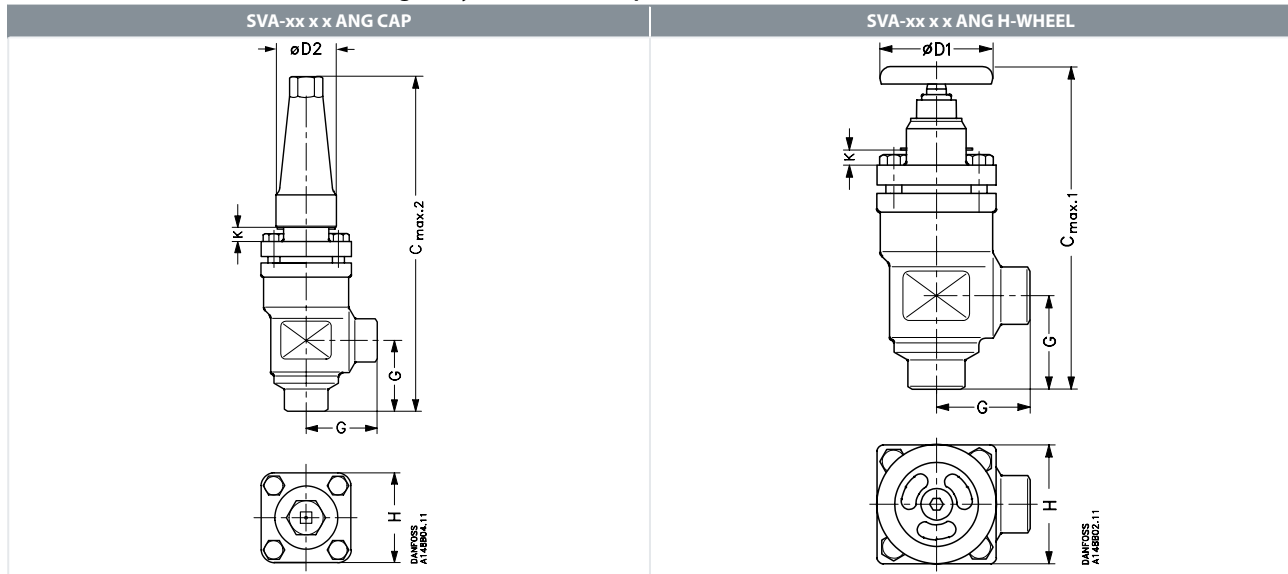


Table 16: SVA-S

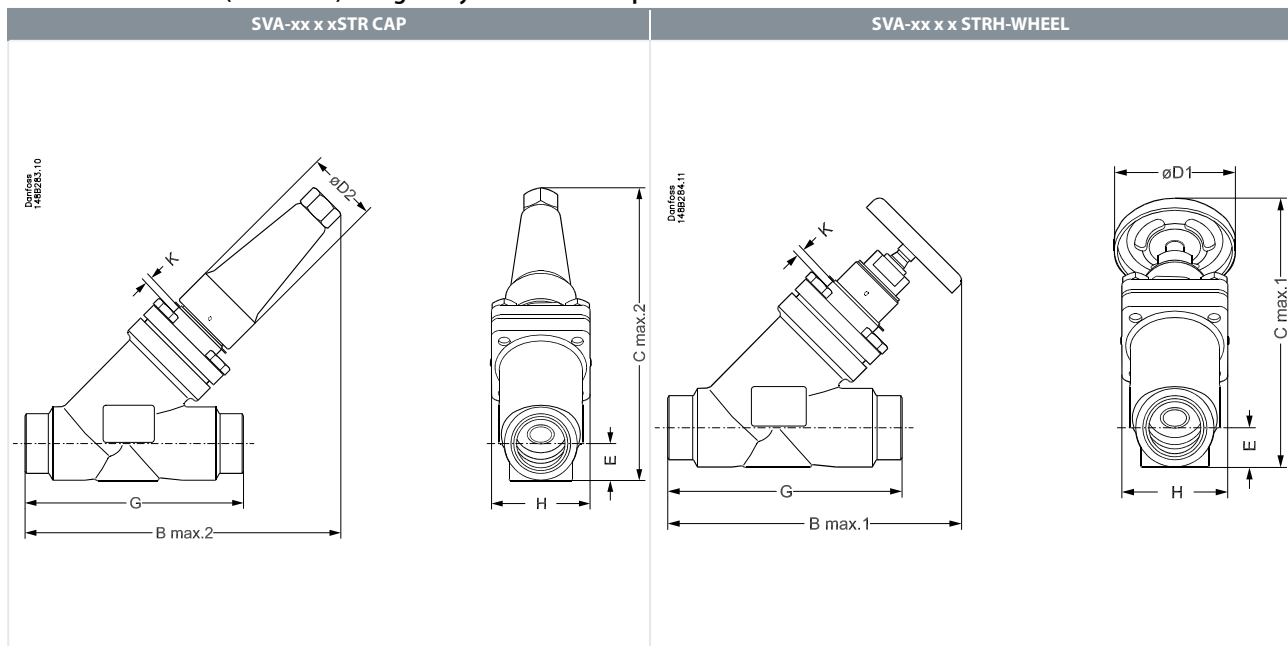
Valve size		K	C _{max.1}	C _{max.2}	G	ØD1	ØD2	H	Weight
SVA 15 - 20	mm	4	178	189	45	60	38	60	1.4 kg
SVA (½ - ¾)	in.	0.16	7	7.44	1.77	2.36	1.5	2.36	3.1 lb
SVA 25 - 40	mm	12	234	268	55	80	50	70	2.4 kg
SVA (1 - 1½)	in.	0.47	9.21	10.55	2.17	3.15	1.97	2.76	5.3 lb

Table 17: SVA-L

Valve size		K	C _{max.1}	C _{max.2}	G	ØD1	ØD2	H	Weight
SVA 15 - 20	mm	63	237	248	45	60	38	60	1.4 kg
SVA (½ - ¾)	in.	2.48	9.33	9.76	1.77	2.36	1.5	2.36	3.1 lb
SVA 25 - 40	mm	74	296	330	55	80	50	70	2.4 kg
SVA (1 - 1½)	in.	2.91	11.65	12.99	2.17	3.15	1.97	2.76	5.3 lb

Specified weights are approximate values only.

Table 18: SVA 15 - 40 (½ - 1½ in.) straightway version with cap / hand wheel



Shut-off valve, type SVA-S and SVA-L, With butt-weld connection F

Table 19: SVA-S

Valve size		K	C _{max.1}	C _{max.2}	B _{max.1}	B _{max.2}	E	G	ØD1	ØD2	H	Weight
SVA 15 - 20	mm	4	146	141	160	156	20	120	60	38	60	2.0 kg
SVA (½ - ¾)	in.	0.16	5.74	5.55	6.3	6.14	0.79	4.72	2.36	1.5	2.36	4.4 lb
SVA 25 - 40	mm	12	199	208	212	222	26	155	80	50	70	3.0 kg
SVA (1 - 1½)	in.	0.47	7.83	8.19	8.35	8.74	1.02	6.1	3.15	1.97	2.76	6.6 lb

Table 20: SVA-L

Valve size		K	C _{max.1}	C _{max.2}	B _{max.1}	B _{max.2}	E	G	ØD1	ØD2	H	Weight
SVA 15 - 20	mm	63	188	184	202	198	20	120	60	38	60	2.0 kg
SVA (½ - ¾)	in.	2.48	7.4	7.24	7.95	7.8	0.79	4.72	2.36	1.5	2.36	4.4 lb
SVA 25 - 40	mm	74	243	252	256	265	26	155	80	50	70	3.0 kg
SVA (1 - 1½)	in.	2.91	9.57	9.92	10.08	10.43	1.02	6.1	3.15	1.97	2.76	6.6 lb

Specified weights are approximate values only.

Table 21: SVA 50 - 65 (2 - 2½ in.) in angleway version with cap / hand wheel

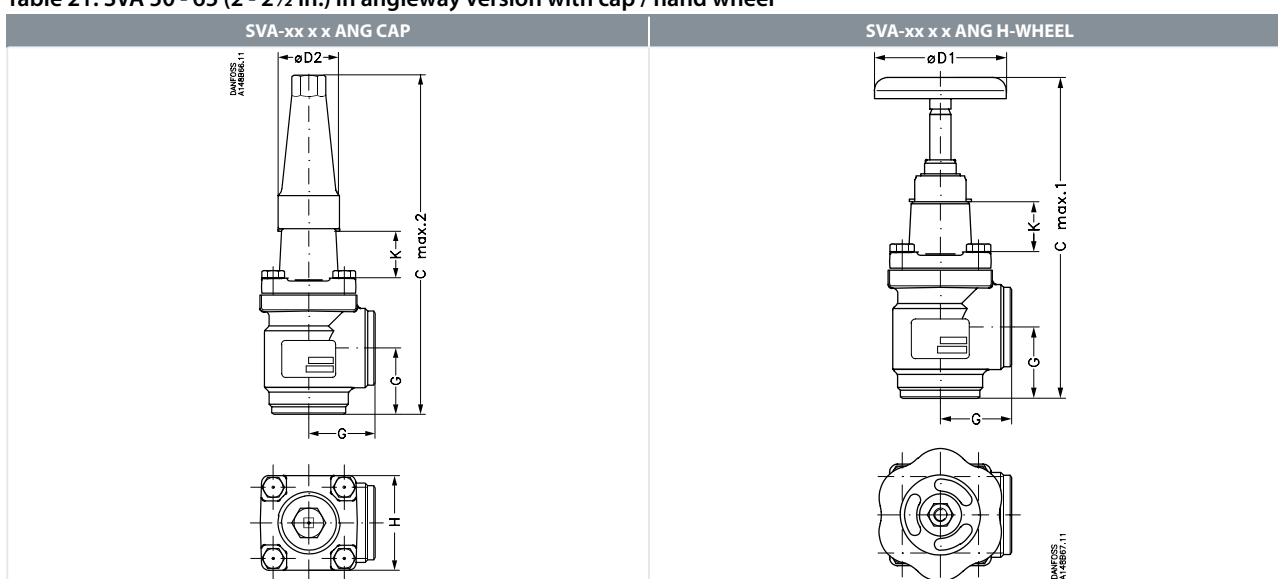


Table 22: SVA-S

Valve size		K	C _{max.1}	C _{max.2}	G	ØD1	ØD2	H	Weight
SVA 50	mm	70	284	315	60	100	50	77	3.2 kg
SVA (2)	in.	2.76	11.18	12.4	2.36	3.94	1.97	3.03	7.1 lb
SVA 65	mm	70	310	335	70	100	50	90	4.8 kg
SVA (2½)	in.	2.76	12.2	13.19	2.76	3.94	1.97	3.54	10.6 lb

Shut-off valve, type SVA-S and SVA-L, With butt-weld connection F

Table 23: SVA 50 - 65 (2 - 2½ in.) in straightway version with cap / hand wheel

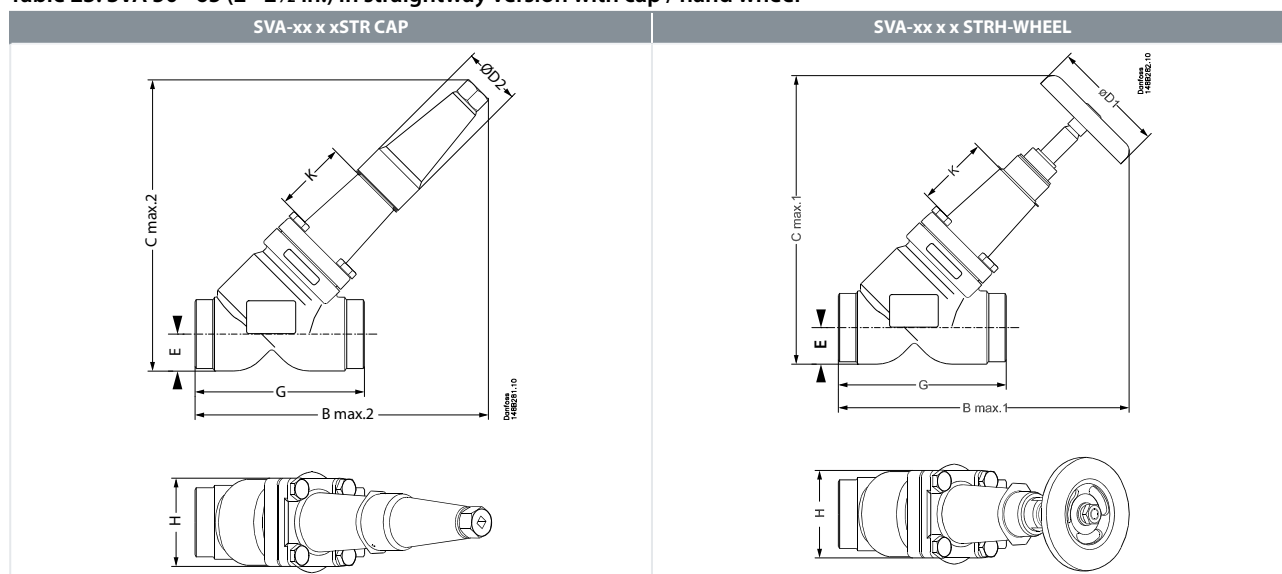


Table 24: SVA-S

Valve size	K	B _{max.1}	B _{max.2}	C _{max.1}	C _{max.2}	E	G	ØD1	ØD2	H	Weight	
SVA 50	mm	70	259	259	257	257	32	148	100	50	77	4.2 kg
SVA (2)	in.	2.76	10.2	10.2	10.12	10.12	1.26	5.83	3.94	1.97	3.03	9.3 lb
SVA 65	mm	70	284	280	284	280	40	176	100	50	90	6.3 kg
SVA (2½)	in.	2.76	11.18	11.02	11.18	11.02	1.57	6.93	3.94	1.97	3.54	13.9 lb

Specified weights are approximate values only.

Table 25: SVA 80 - 200 (3 - 8 in.) angleway version with cap / hand wheel

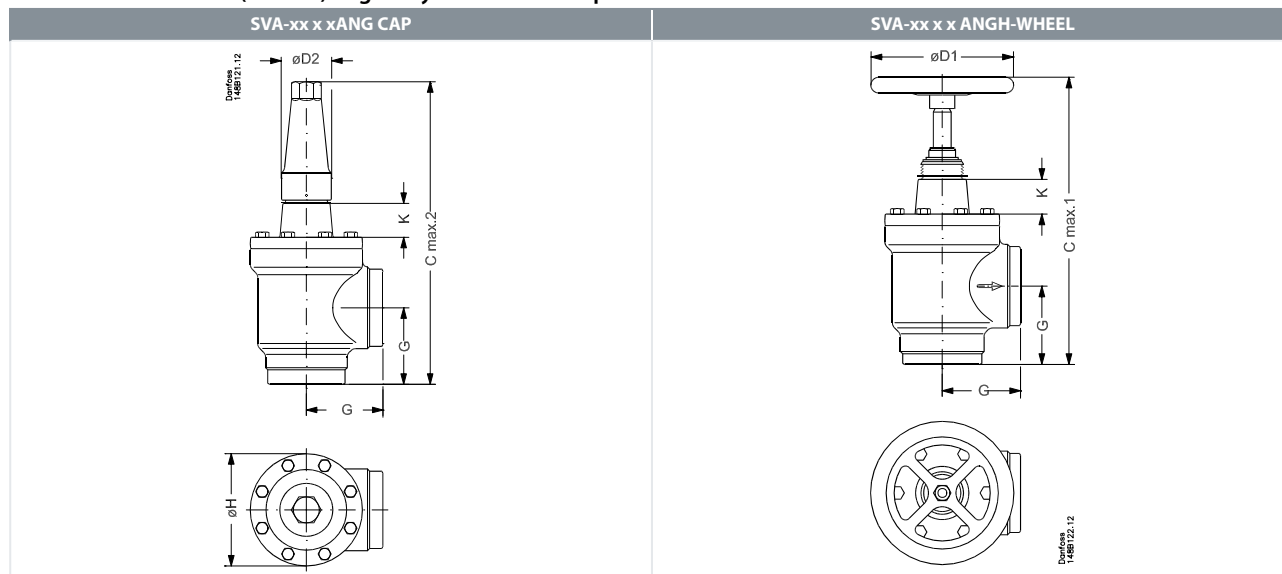


Table 26: SVA-S

Valve size	K	C _{max.1}	C _{max.2}	G	ØD1	ØD2	ØH	Weight
SVA 80	mm	76	373	388	90	200	58	9.7 kg
SVA (3)	in.	3	14.69	15.28	3.54	7.87	2.28	21.4 lb
SVA 100	mm	90	432	437	106	250	58	15.3 kg
SVA (4)	in.	3.54	17	17.2	4.17	9.84	2.28	33.7 lb
SVA 125	mm	90	517	533	128	315	74	28.1 kg
SVA (5)	in.	3.54	20.35	20.98	5.04	12.4	2.91	61.9 lb
SVA 150	mm	90	564	568	145	315	74	39.7 kg

Shut-off valve, type SVA-S and SVA-L, With butt-weld connection F

Valve size	K	C _{max.1}	C _{max.2}	G	ØD1	ØD2	ØH	Weight	
SVA (6)	in.	3.54	22.2	22.36	5.71	12.4	2.91	8.62	87.5 lb
SVA 200	mm	90	675	678	180	400	86	276	79.5 kg
SVA (8)	in.	3.54	26.57	26.69	7.09	15.75	3.39	10.87	175.3 lb

Specified weights are approximate values only.

Table 27: SVA 80 - 200 (3 - 8 in.) straightway version with cap / hand wheel

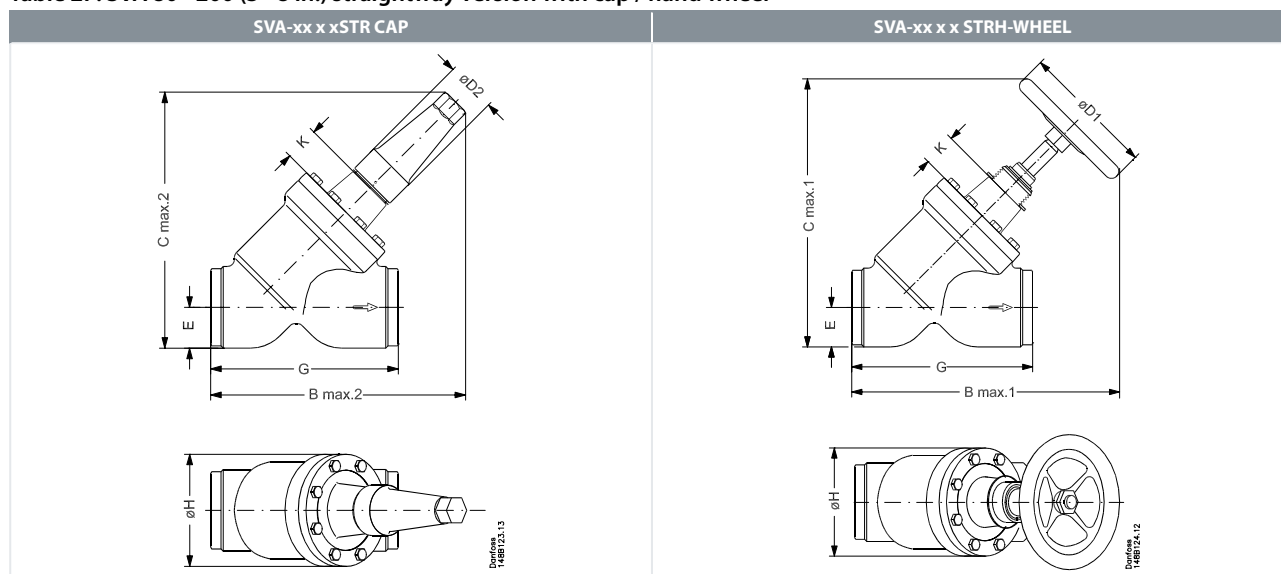


Table 28: SVA-S

Valve size	K	B _{max.1}	B _{max.2}	C _{max.1}	C _{max.2}	E	G	ØD1	ØD2	ØH	Weight	
SVA 80	mm	76	365	321	367	322	48	216	200	58	129	10.9 kg
SVA (3)	in.	3	14.37	12.64	14.45	12.72	1.89	8.5	7.87	2.28	5.08	24.0 lb
SVA 100	mm	90	435	367	443	375	60	264	250	58	156	18.2 kg
SVA (4)	in.	3.54	17.13	14.45	17.44	14.76	2.36	10.39	9.84	2.28	6.14	40.1 lb
SVA 125	mm	90	526	444	538	456	74	322	315	74	193	32.8 kg
SVA (5)	in.	3.54	20.71	17.48	21.18	17.95	2.91	12.68	12.4	2.91	7.6	72.3 lb
SVA 150	mm	90	572	483	594	505	91	370	315	74	219	60.0 kg
SVA (6)	in.	3.54	22.52	19.02	23.39	19.88	3.58	14.57	12.4	2.91	8.62	132.3 lb
SVA 200	in.	90	692	579	726	613	117	464	400	86	276	111.5 kg
SVA (8)	in.	3.54	27.24	22.8	28.58	24.13	4.61	18.27	15.75	3.39	10.87	245.8 lb

Specified weights are approximate values only.

Ordering

Available connection sizes

SVA-S:

The **S** means **Standard** bonnet length (sizes from DN50 to DN200 are insulation friendly).

SVA-L:

The **L** means **Long** bonnet length (insulation friendly).

Size	SVA-S	SVA-L
15	x	x
20	x	x
25	x	x
32	x	x
40	x	x
50		x
65		x
80		x
100		x
125		x
150		x

Type code

Valve type	SVA	Shut-off valve	
Nominal size in mm			Available connections
			F
(valve size measured on the connection diameter)	15	DN 15 (½)	x
	20	DN 20 (¾)	x
	25	DN 25 (1)	x
	32	DN 32 (1¼)	x
	40	DN 40 (1½)	x
	50	DN 50 (2)	x
	65	DN 65 (2½)	x
	80	DN 80 (3)	x
	100	DN 100 (4)	x
	125	DN 125 (5)	x
	150	DN 150 (6)	x
	200	DN 200 (8)	x
Connections	F	Butt-weld connection: with 2/3 mm thick end connection	
Valve housing	ANG, STR	Angle flow, Straight flow	
Other equipment	H-WHEEL CAP	Hand wheel Cap	

Ordering SVA-S complete valves

Example:

SVA-S 200 F angleway with hand wheel = **148B6435**

ANG	Angleway
STR	Straightway
CAP	Cap
H-WHEEL	Hand wheel

Shut-off valve, type SVA-S and SVA-L, With butt-weld connection F

Table 29: SVA-S Angleway(Butt-weld connection F)

Size		Type	MWP		Code number
mm	in.		bar	psig	
150	6	SVA-S 150 F ANG H-WHEEL	25	362	148B6434
150	6	SVA-S 150 F ANG CAP	25	362	148B6436
200	8	SVA-S 200 F ANG H-WHEEL	25	362	148B6435
200	8	SVA-S 200 F ANG CAP	25	362	148B6437

Table 30: SVA-S Straightway(Butt-weld connection F)

Size		Type	MWP		Code number
mm	in.		bar	psig	
150	6	SVA-S 150 F STR H-WHEEL	25	362	148B6438
150	6	SVA-S 150 F STR CAP	25	362	148B6440
200	8	SVA-S 200 F STR H-WHEEL	25	362	148B6439
200	8	SVA-S 200 F STR CAP	25	362	148B6441

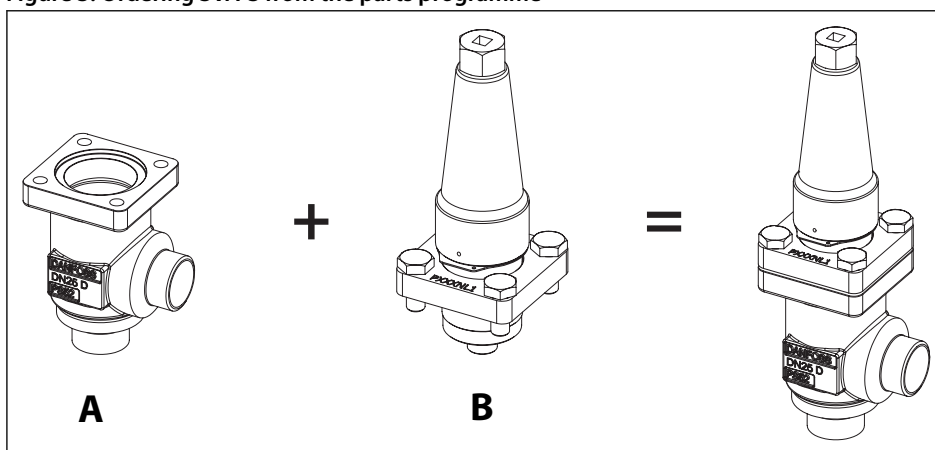
Important!

Where products need to be certified according to specific certification societies or where higher pressures are required, the relevant information should be included at the time of order.

Ordering SVA-S from the parts programme

Example : (select from table 32 and 33)

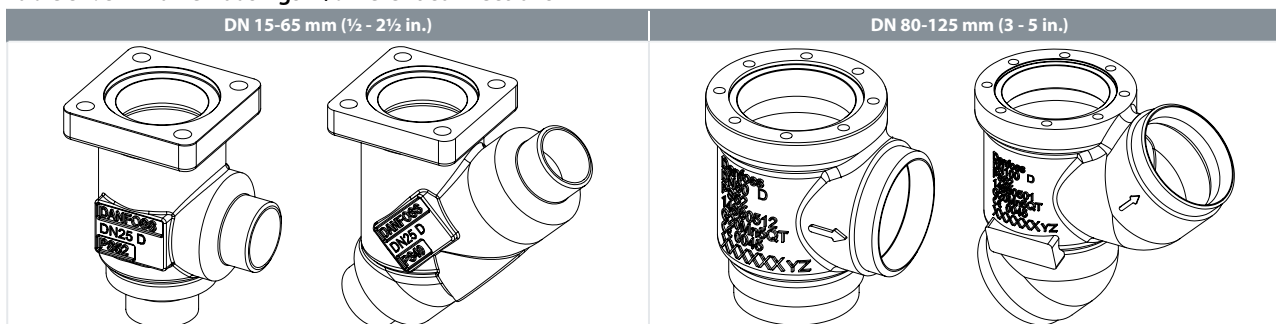
Figure 3: Ordering SVA-S from the parts programme



A Valve housing, size 25 (1 in.), butt weld F, angleway, **148B6416** [Table 32: SVL valve housings w/different connections](#)

B Top part, SVA-S size 25 (1 in.) with cap **148B5476** [Table 34: SVA complete top part including gaskets and bolts](#)

Table 31: SVL valve housings w/different connections



Shut-off valve, type SVA-S and SVA-L, With butt-weld connection F

Table 32: SVL valve housings w/different connections

Sizes [DN]		DN 15-65 mm (½ - 2½ in.)	DN 80-125 mm (3 - 5 in.)
		Valve Housing SVL	
		Butt weld F	
mm	in.	ANG	STR
15	½	148B6414	148B6424
20	¾	148B6415	148B6425
25	1	148B6416	148B6426
32	1¼	148B6417	148B6427
40	1½	148B6418	148B6428
50	2	148B6419	148B6429
65	2½	148B6420	148B6430
80	3	148B6421	148B6431
100	4	148B6422	148B6432
125	5	148B6423	148B6433

NOTE:

Not all sizes available for

SVA-L - see [Table 32: SVL valve housings w/different connections.](#)

Table 33: SVA complete top part including gaskets and bolts

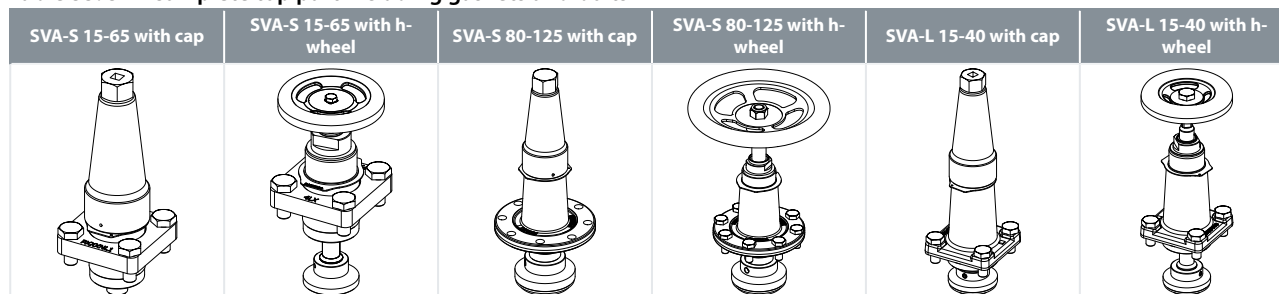


Table 34: SVA complete top part including gaskets and bolts

Sizes [DN]		SVA-S 15-65 with cap	SVA-S 15-65 with h-wheel	SVA-S 80-125 with cap	SVA-S 80-125 with h-wheel	SVA-L 15-40 with cap	SVA-L 15-40 with h-wheel
		Complete top part					
mm	in.	SVA-S CAP	SVA-S H-WHEEL	SVA-L CAP		SVA-L H-WHEEL	
15	½	148B5276	148B5277	148B5278		148B5279	
20	¾						
25	1	148B5476	148B5477	148B5478		148B5479	
32	1¼						
40	1½	148B5728	148B5729				
50	2						
65	2½	148B5822	148B5823				
80	3	148B5916	148B5917				
100	4	148B6012	148B6018				
125	5	148B6116	148B6117				

Certificates, declarations and approvals


The list contains all certificates, declarations, and approvals for this product type. Individual code number may have some or all of these approvals, and certain local approvals may not appear on the list.

Some approvals may change over time. You can check the most current status at danfoss.com or contact your local Danfoss representative if you have any questions.

Pressure Equipment Directive (PED)

SVA valves are approved according to the European standard specified in the Pressure Equipment Directive and are CE marked. For further details / restrictions - see Installation Instruction.

Table 35: Pressure Equipment Directive (PED)

SVA				
	Nominal bore	DN ≤ 25 mm (1 in.)	DN32-80 mm (1¼ - 3 in.)	DN100 - 200 mm (4-8 in.)
	Classified for	Fluid group I		
	Category	Article 3, paragraph 3	II	III

Online support

Danfoss offers a wide range of support along with our products, including digital product information, software, mobile apps, and expert guidance. See the possibilities below.

The Danfoss Product Store



The Danfoss Product Store is your one-stop shop for everything product related—no matter where you are in the world or what area of the cooling industry you work in. Get quick access to essential information like product specs, code numbers, technical documentation, certifications, accessories, and more.

Start browsing at store.danfoss.com.

Find technical documentation



Find the technical documentation you need to get your project up and running. Get direct access to our official collection of data sheets, certificates and declarations, manuals and guides, 3D models and drawings, case stories, brochures, and much more.

Start searching now at www.danfoss.com/en/service-and-support/documentation.

Danfoss Learning



Danfoss Learning is a free online learning platform. It features courses and materials specifically designed to help engineers, installers, service technicians, and wholesalers better understand the products, applications, industry topics, and trends that will help you do your job better.

Create your Danfoss Learning account for free at www.danfoss.com/en/service-and-support/learning.

Get local information and support



Local Danfoss websites are the main sources for help and information about our company and products. Find product availability, get the latest regional news, or connect with a nearby expert—all in your own language.

Find your local Danfoss website here: www.danfoss.com/en/choose-region.

Spare Parts



Get access to the Danfoss spare parts and service kit catalog right from your smartphone. The app contains a wide range of components for air conditioning and refrigeration applications, such as valves, strainers, pressure switches, and sensors.

Download the Spare Parts app for free at www.danfoss.com/en/service-and-support/downloads.

Coolselector®2 - find the best components for you HVAC/R system



Coolselector®2 makes it easy for engineers, consultants, and designers to find and order the best components for refrigeration and air conditioning systems. Run calculations based on your operating conditions and then choose the best setup for your system design.

Download Coolselector®2 for free at coolselector.danfoss.com.

Danfoss A/S

Climate Solutions • danfoss.com • +45 7488 2222

Any information, including, but not limited to information on selection of product, its application or use, product design, weight, dimensions, capacity or any other technical data in product manuals, catalogues descriptions, advertisements, etc. and whether made available in writing, orally, electronically, online or via download, shall be considered informative, and is only binding if and to the extent, explicit reference is made in a quotation or order confirmation. Danfoss cannot accept any responsibility for possible errors in catalogues, brochures, videos and other material. Danfoss reserves the right to alter its products without notice. This also applies to products ordered but not delivered provided that such alterations can be made without changes to form, fit or function of the product.

All trademarks in this material are property of Danfoss A/S or Danfoss group companies. Danfoss and the Danfoss logo are trademarks of Danfoss A/S. All rights reserved.