

Date 13/5/2020  
 Customer  
 Offer



San Toribio, 6 28031 MADRID  
 +34/913030426 com@frimetal.es

**DIRECT EXPANSION EVAPORATOR**

**FRM-270**

Model Capacity **4,8 kW**  
 Required Capacity **0,0 kW**

**Materials**

Tubes Copper  
 Fins Aluminium  
 Casing Aluminun and galvanized steel white coated RAL-9002

**Duties**

Fin Spacing **4,2 mm**  
 Air Flow **3020 m<sup>3</sup>/h**  
 Air Velocity **1,91 m/s**  
 Available Air Static Pressure **0 Pa**  
 Air throw **14 m**  
 Air Inlet Temperature **3,0 °C**  
 Outlet Air Temperature **-0,5 °C**  
 Evaporating Temperature **-5,0 °C**  
 Temperature difference DT1 **8 K**  
 Refrigerant **R404A**

**Coil**

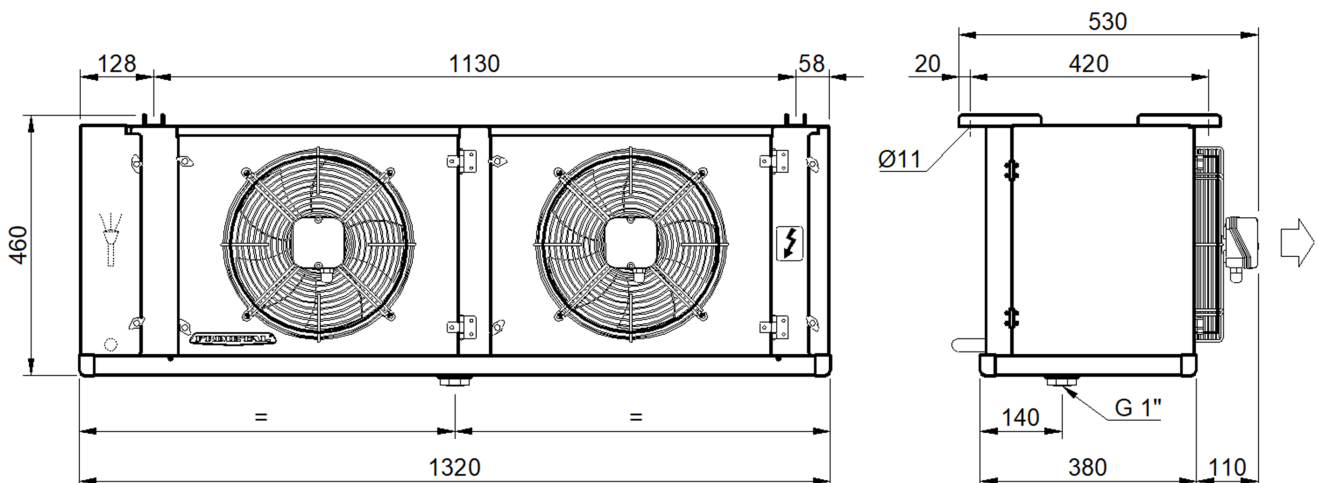
Fin Spacing **4,2 mm**  
 Finned Length **1100 mm**  
 Surface **21,0 m<sup>2</sup>**  
 Internal Volume **4,3 dm<sup>3</sup>**

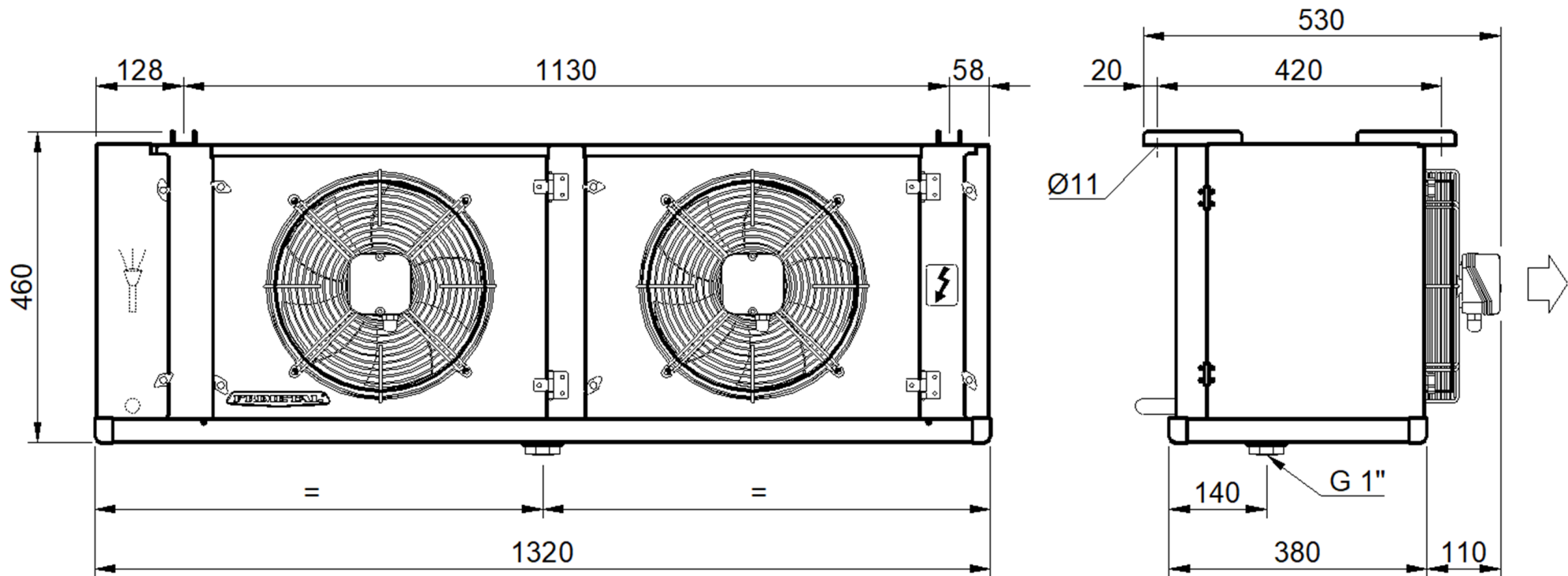
**Installer Information**

Net weight **38 kg**  
 Inlet liquid distributor **1 x 1/2"**  
 Outlet line **1 x 16 mm**

**AC Fan motors ErP compliant**

Power supply	<b>1~230V/50Hz</b>	Total absorbed power	<b>160 W</b>
Fans Nr.	<b>2</b>	Total absorbed current	<b>0,8 A</b>
Blade Diameter	<b>300 mm</b>	Noise Power Level	<b>67 dB(A)</b>
Speed	<b>1350 rpm</b>	Noise Pressure Level	<b>36 dB(A)</b>
		Distance	<b>10 m</b>





**DIRECT EXPANSION EVAPORATOR - FRM-270**



FRIMETAL, s.a.  
 San Toribio, 6  
 28031 MADRID  
 +34/913030426 - +34/917774761