

Installation Guide

# Replace of old AK-XM 208B with AK-XM 208C



080R9337



AN301642050889en-000201

**Info**

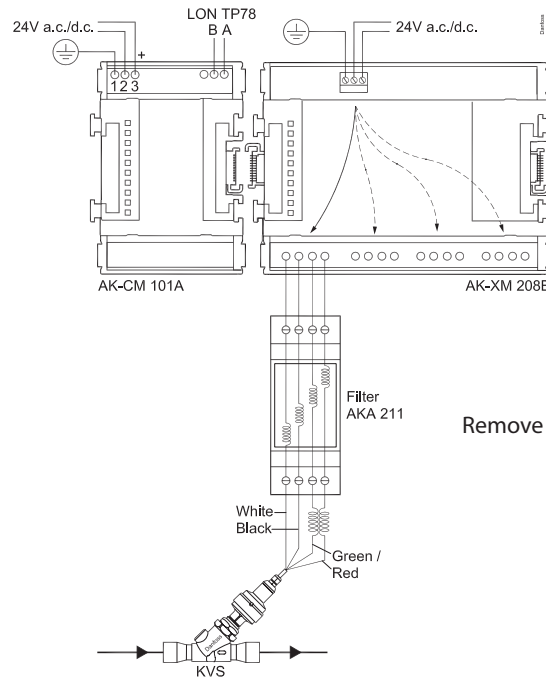
- AK-XM 208C can be used as spare part for AK-XM 208B.
- AK-XM 208C opens and closes opposite the AK-XM 208B.
- There is no need to change settings.
- Ensure AK-XM 208C has a dedicated line up (Comm module + 208C only).
- No other modules to be added to AK-XM 208C.



**Warning**

Ensure power is disconnected before adding or removing Modules

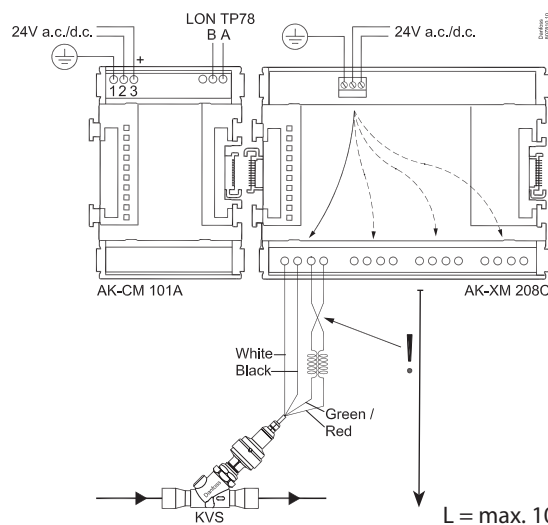
**Old installation with AK-XM 208B**



Remove AK-XM 208B

Remove the filter AKA 211 if installed

**New connections with AK-XM 208C**



Filter AKA 211 must **not** be used.

Assure correct function by swapping two wires.

27↔28

31↔32

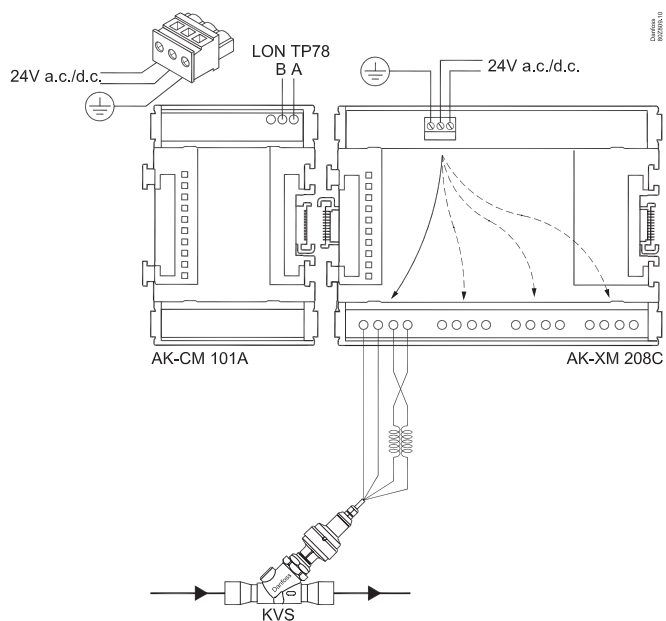
35↔36

39↔40

L = max. 100 feet. (30 m)

**Check the correct open/close function**

1. Remove the power supply to the communication module AK-CM 101A



2. Check the valve is closing  
(If it is already closed, it will remain closed)

3. Connect the power supply again.  
By reconnecting power to the AK-CM 101A module the stepper module start calibrating the valve to closed position.  
If wires are wrongly connected the valve is opening to 100%.



The Product contains electrical components  
And may not be disposed together with domestic waste.  
Equipment must be separate collected with Electrical and Electronic waste. According to Local and currently valid legislation.

ADAP-KOOL®