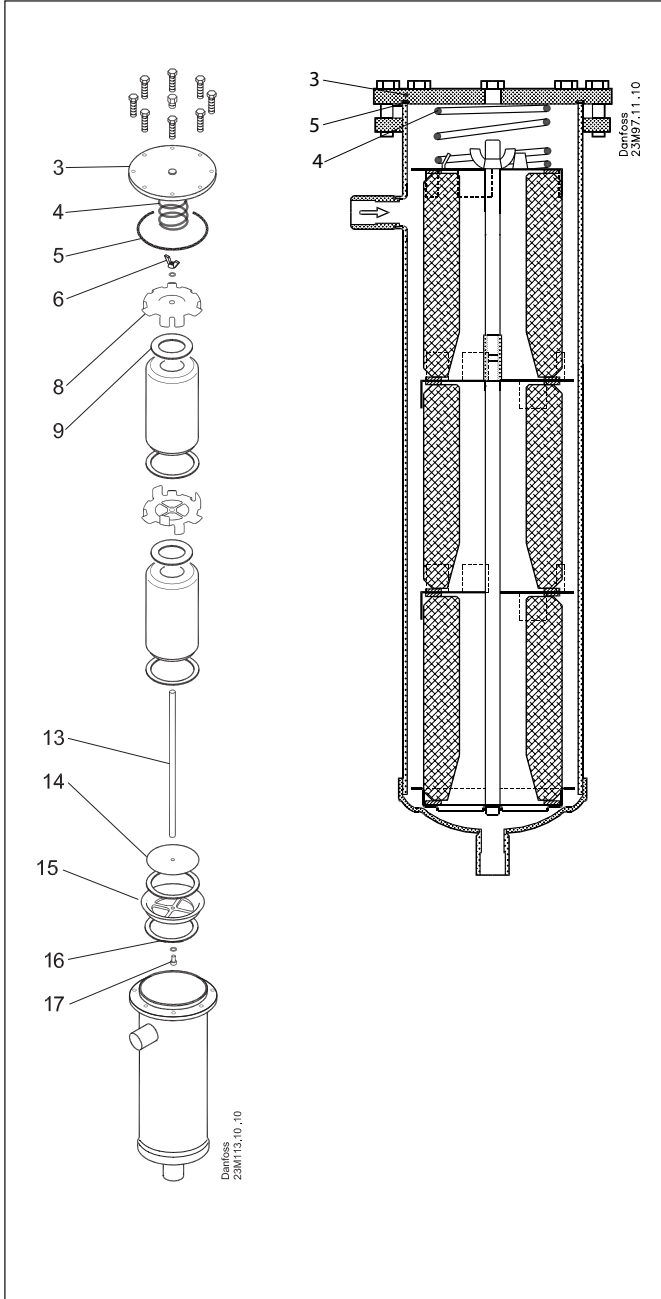
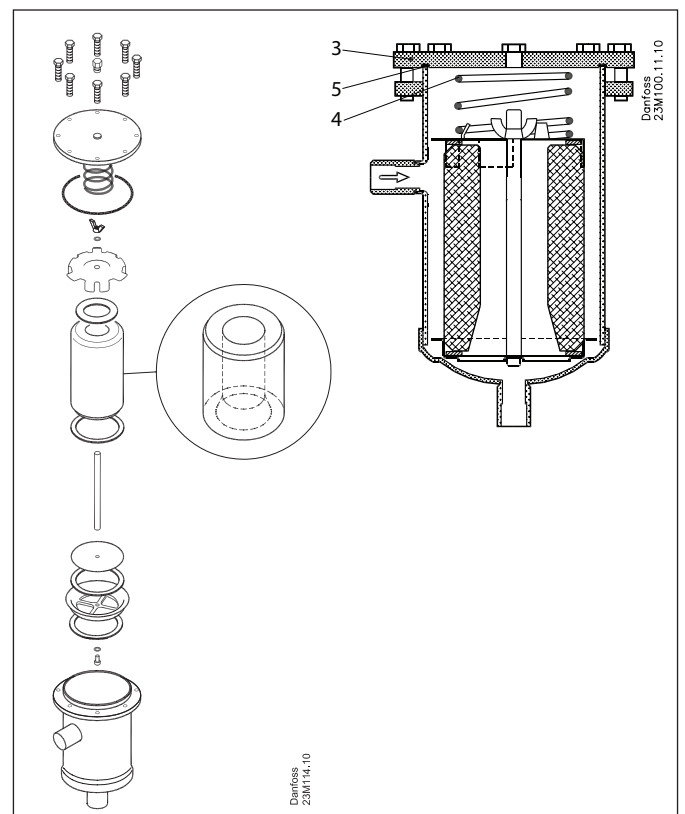


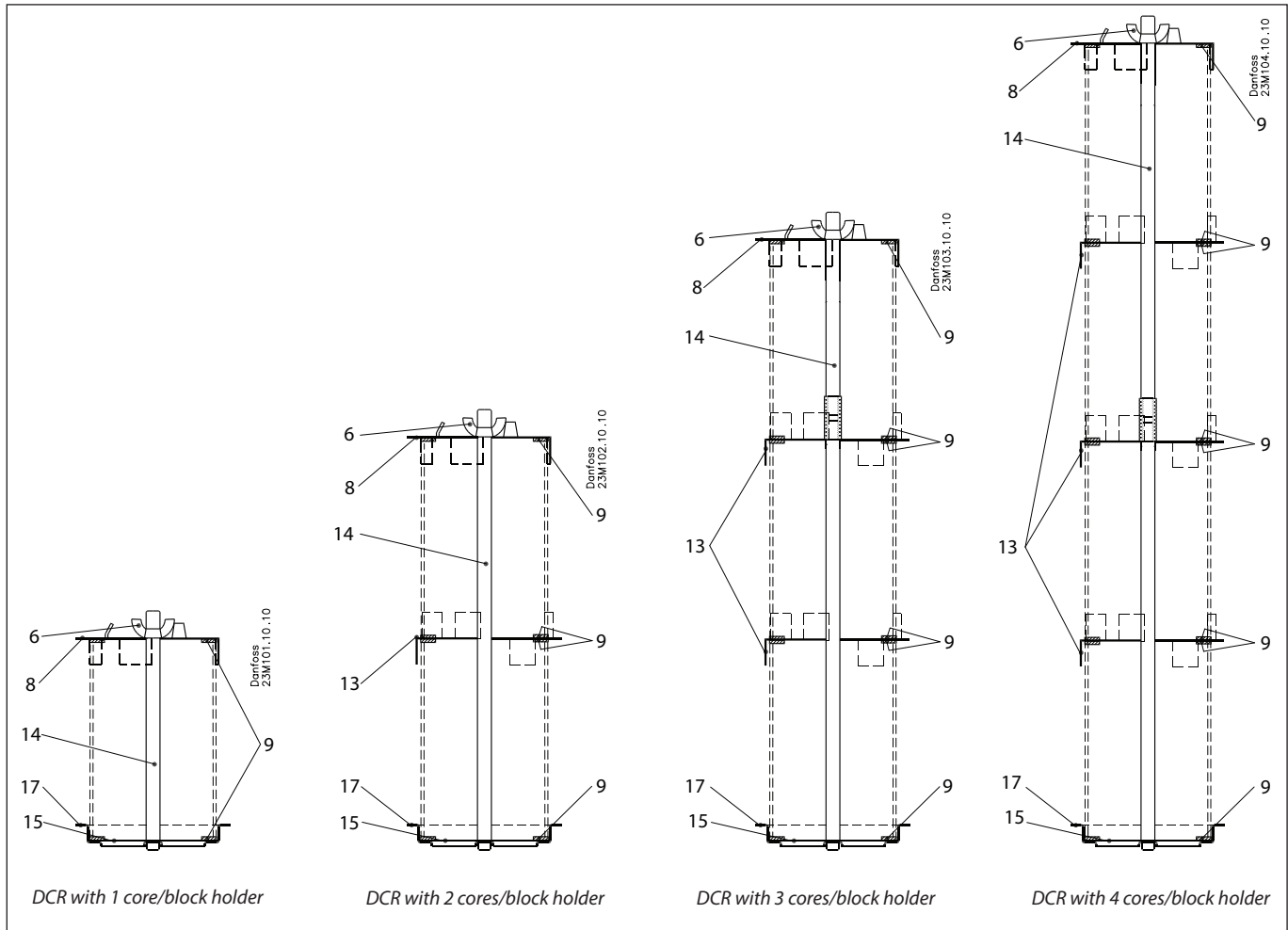
Spare parts and accessories

ELIMINATOR® filter drier with replaceable solid core Type DCR



| Pos. | Description | Qty. | Code no. |
|-------------------------|--|---|----------------------|
| Top cover gasket | | | |
| 5 | Ø121.8 × Ø113.6 × 0.8 mm Suitable for: Danfoss DCR, Alco ADKS, Sporlan C, Catch All, Henry V, Parker P, Carly BCY | 20 | 023U0055 023U2015 |
| | 5 | Ø115.5 × Ø107.5 × 1.6 mm Suitable for: Hansa GT, Castel 441 | |
| 5 | Ø123.5 × Ø115.0 × 1.6 mm Suitable for: KMP K | 20 | 023U0057 |
| 5 | Ø121.8 × Ø113.6 × 1.5 mm Heavy Duty and NH ₃ | 20 | 023U0058 |
| Spring | | | |
| 4 | Ø55.0 × Ø47.0 mm | 8 | 023U2019 |
| Felt gasket | | | |
| 9 | Ø95.5 × Ø45.5 × 2 mm Suitable for: Danfoss DCR | 20 | 023U2018 |
| 16 | Ø95.5 × Ø78 × 2 mm Suitable for: Danfoss DCR | 20 | 023U2016 |
| Top cover | | | |
| 3 | With plug 1/4" NPT | 1 | 023Z9906 |
| 3 | Without plug | 1 | 023Z9907 |





| Pos. | Description | 1-core | 2-core | 3-core | 4-core |
|--------------------------------|--------------|-----------------|-----------------|-----------------|-----------------|
| 1 - 4 core/block holder | | | | | |
| 6 | Wing nut | 023Z9030 | 023Z9031 | 023Z9032 | 023Z9033 |
| 8 | Top plate | | | | |
| 9 | Felt gasket | | | | |
| 13 | Core plate | | | | |
| 14 | Distance rod | | | | |
| 15 | Wire mesh | | | | |
| 17 | Core holder | | | | |