

## Data Sheet

# Pressure operated water valve Type **WVFX** and **WVS**

Opens on rising condensing pressure



Pressure operated water valves types WVFX and WVS are used for regulating the flow of water in refrigeration plants with water-cooled condensers.

The pressure operated water valves give modulating regulation of the condensing pressure within defined limits during operation. When the refrigeration plant is stopped, the cooling water flow is shut off automatically.

Pressure operated water valves can be used with flammable refrigerants. Double sealing between the refrigerant and the water line ensures that in case the bellows damage and the refrigerant leak, it cannot enter into the water. This severely limits the safety implications. It means that the valve can be used together with a double walled heat exchanger and water circuit in such a system does not need to be considered as a part of the installation for flammable refrigerants (EN378-1:2008, clause 4.4.2.2).

**Features**

- Media: Fresh water and Neutral brine
- Needs no power supply – self acting
- Opens on rising condensing pressure
- Complete flow range from 1.4 – 300 m<sup>3</sup>/h
- Low flow version of WVFX – 0,63 m<sup>3</sup>/h, (available on request)
- Insensitive to dirt
- WVFX 10 – 25 are available in stainless steel housing
- Suitable for flammable refrigerants
- May be used in the following EX range: Category 3 (Zone 2)

## Functions

Condensing pressure impulses are transmitted via the bellows element to the valve cone so that the valve – even at very small pressure variations – is able to adapt the quantity of water required by the condenser.

The valves are pressure-relieved in such a way that a variation in the water pressure will not affect their setting.

To protect the refrigeration plant against high head pressures in the event that the water supply to the condenser fails, a safety switch type KP or RT should be fitted on the high pressure side.

Water side connections are internal BSP and the compressor discharge side connection is ¼ in. / 6 mm flare.

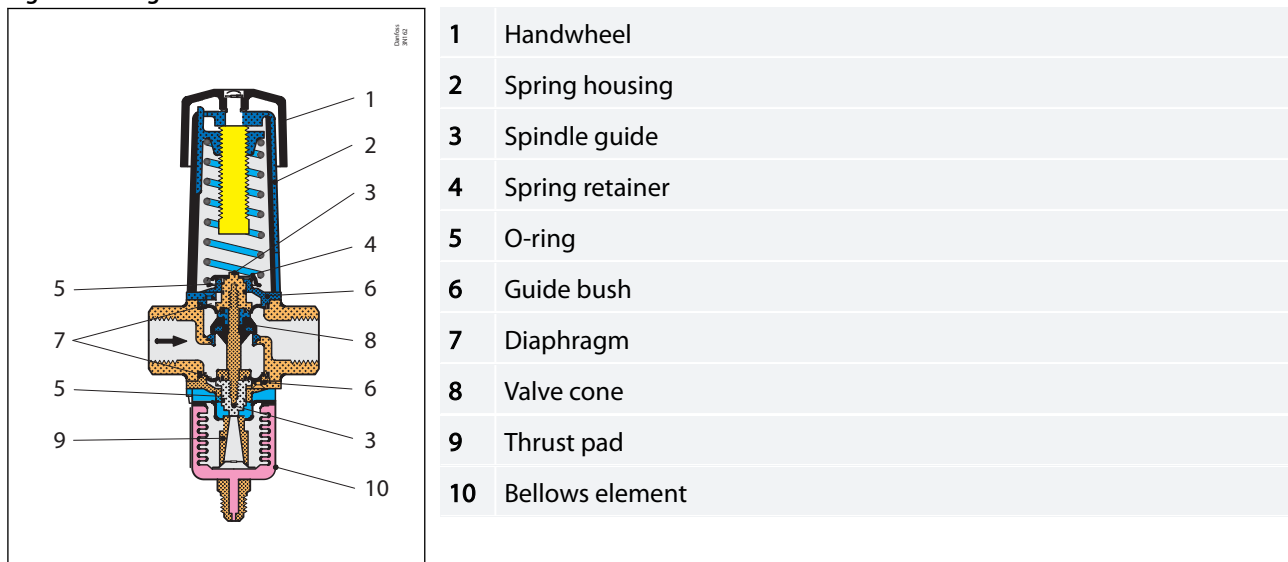
The valve body WVFX 10 – 25 is made of hot-stamped brass and for WVFX 32 – 40 of cast iron. WVFX 15, WVFX 20 and WVFX 25 can also be supplied in stainless steel housing.

All metal external valve parts are surface-treated to resist corrosion from condensate, etc.

It is possible to order reverse acting WVFX valve, which opens on refrigerant pressure decrease.

Reverse acting valve are mostly used in bypass lines and heat pump applications.

Figure 1: Design / Function for WVFX 10 – 25



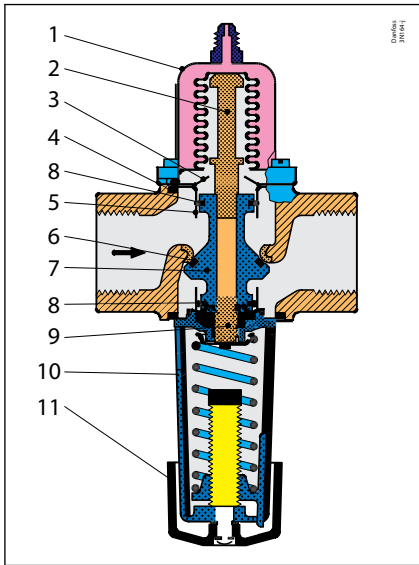
The valve cone (8) is a brass plate with a vulcanized layer of artificial rubber to form an elastic seal against the valve seat. The valve is externally sealed by the diaphragms (7).

The top and bottom of the valve plate holder are extended by a guide that is fitted with O-rings (5) to ensure the internal operating parts move correctly. These O-rings, fitted in conjunction with the diaphragms, also provide extra protection against external leakage.

The valve seat is made of stainless steel and is pressed to the valve body.

The spring housing (2) is of aluminium and has a guide slot for the spring holder that is extended in the form of an indicating pointer. An associated indicator label is riveted to the housing and is graduated from 1 – 5.

Figure 2: Design / Function for WVFX 32 – 40



1	Bellows element
2	Upper pressure spindle
3	Top plate
4	Guide bush gland
5	Guide bush
6	T-ring
7	Valve cone
8	O-ring
9	Lower pressure spindle
10	Spring housing
11	Handwheel

The valve cone (7) is made of brass with a T-ring (6) of artificial rubber forming a flexible seal against the valve seat. The O-rings (8) are external seals for the cooling water.

The valve cone guide bushes (5) are specially treated to counteract lime deposits from the cooling water inside the cylinder, and also to reduce friction in the valve to a minimum.

The valve seat is made of stainless steel and is pressed to the valve body.

The spring housing (2) is of aluminium and has a guide slot for the spring holder that is extended in the form of an indicating pointer.

Figure 3: WVS 32

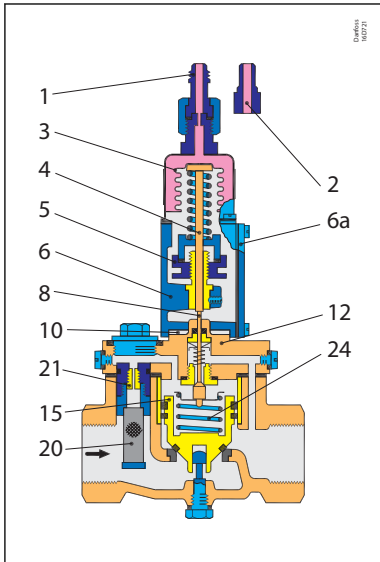


Figure 4: WVS 40

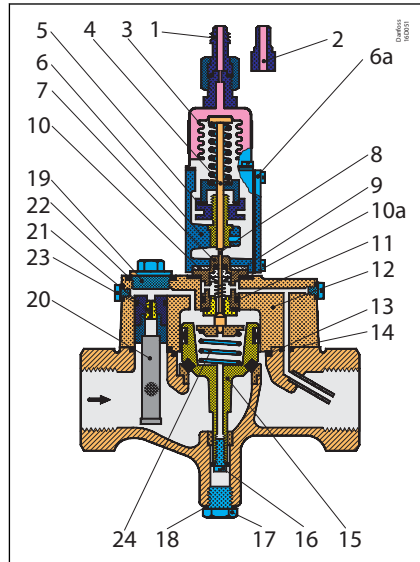
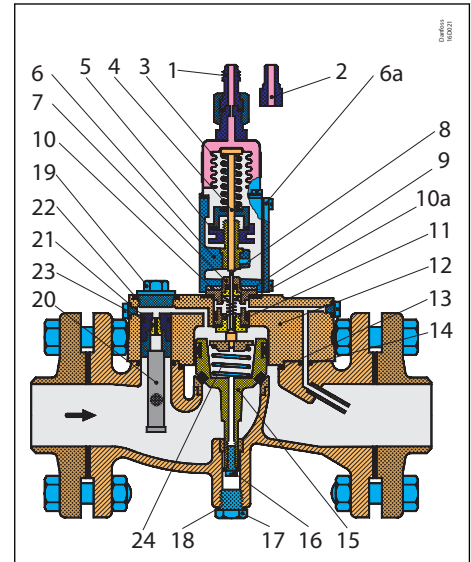


Figure 5: WVS 50 – 100



## Pressure operated water valve, Type WVFX and WVS

1	Pressure connection (flare nipple)	9	Teflon sleeves	17	Drain plug
2	Pressure connection (weld nipple)	10	Insulating gasket	18	Gasket
3	Bellows element	10a	Gasket	19	Strainer assembly, complete
4	Push rod	11	O-ring	20	Self-cleaning strainer assembly
5	Regulating nut	12	Valve cover	21	Pilot orifice
6	Spring housing	13	O-ring	22	Gasket
6a	Cover	14	O-ring	23	O-ring
7	Pilot assembly	15	Servo piston	24	Servo spring
8	Spindle for pilot cone	16	Bottom screw		

WVS 32 – 40 valves have internal BSP connections, while WVS 50 – 100 can be supplied with either BSP connections or weld flanges.

Connection to the plant condenser can be made by copper tube or steel tube, the valves being supplied with both a flare nipple for ¼ in. (6 mm) copper tube and a weld nipple for ø6 mm / ø10 mm steel tube.

### 1. Main valve with servo piston

The main valve body is made of cast iron with a pressed-in bronze seat. The servo piston is of gun metal and has a sleeve and a profiled rubber seal ring.

### 2. Pilot valve

The pilot valve is made of gun metal, the pilot cone and seat of stainless steel and the pilot orifice of brass. These materials are particularly resistant to water corrosion. However, the valve is not resistant to sea water.

The strainer ahead of the pilot orifice is made of nickel gauze.

The degree of opening of the pilot valve (which corresponds to the increase in condensing pressure above the set opening pressure) determines the degree of opening of the main valve and thereby amount of the water flow.

### 3. Bellows unit with connection to condenser

The bellows unit is made of aluminium and corrosion-proofed steel.

## Product specification

**Technical data**

Table 1: Technical data

Type	Refrigerant	Condenser side			Media	Liquid side		K <sub>v</sub> value <sup>(1)</sup>		
		Control press. adjustable opening press.	Max. working pressure PS/MWP	Max. test pressure Pe		Max. working pressure PS/MWP	Max. test pressure Pe			
		[bar]	[bar]	[bar]		[bar]	[bar]	[bar]	[m <sup>3</sup> /h]	
WVFX 10	R22, R134a, R290, R404A, R407A, R407C, R407F, R407H, R410A <sup>(4)</sup> , R422B, R422D, R448A, R449A, R449B, R450A, R452A, R454A, R454C, R455A, R507A, R513A, R515B, R516A, R600, R600a, R1234yf, R1270	3.5 – 16.0	26.4	29.0	Fresh water, neutral brine, sea water <sup>(3)</sup>	16	24	1.4		
WVFX 10 <sup>(2)</sup>		4.0 – 23.0	26.4	29.0		16	24	1.4		
WVFX 10		15.0 – 29.0	45.2	60.0		16	24	1.4		
WVFX 15		3.5 – 16.0	26.4	29.0		16	24	1.9		
WVFX 15 <sup>(2)</sup>		4.0 – 23.0	26.4	29.0		16	24	1.9		
WVFX 15		15.0 – 29.0	45.2	60.0		16	24	1.9		
WVFX 20		3.5 – 16.0	26.4	29.0		16	24	3.4		
WVFX 20 <sup>(2)</sup>		4.0 – 23.0	26.4	29.0		16	24	3.4		
WVFX 20		15.0 – 29.0	45.2	60.0		16	24	3.4		
WVFX 25		3.5 – 16.0	26.4	29.0		16	24	5.5		
WVFX 25 <sup>(2)</sup>		4.0 – 23.0	26.4	29.0		16	24	5.5		
WVFX 25		15.0 – 29.0	45.2	60.0		16	24	5.5		
WVFX 32		4.0 – 17.0	24.1	26.5		10	10	11.0		
WVFX 40		4.0 – 17.0	24.1	26.5		10	10	11.0		
WVS 32		R22, R134a, R290, R404A, R407A, R407C, R407F, R407H, R410A <sup>(4)</sup> , R422B, R422D, R448A, R449A, R449B, R450A, R452A, R507A, R513A, R600, R600a, R717 <sup>(5)</sup> , R1270	2.2 – 19.0	26.4		29.0	Fresh water, neutral brine	10	16	12.5
WVS 32			15.0 – 29.0	45.2		60.0		10	16	12.5
WVS 40	2.2 – 19.0		26.4	29.0	10	16		21.0		
WVS 40	15.0 – 29.0		45.2	60.0	10	16		21.0		
WVS 50	2.2 – 19.0		26.4	29.0	10	16		32.0		
WVS 50	15.0 – 29.0		45.2	60.0	10	16		32.0		
WVS 65	2.2 – 19.0		26.4	29.0	10	16		45.0		
WVS 65	15.0 – 29.0		45.2	60.0	10	16		45.0		
WVS 80	2.2 – 19.0		26.4	29.0	10	16		80.0		
WVS 80	15.0 – 29.0		45.2	60.0	10	16		80.0		
WVS 100	2.2 – 19.0		26.4	29.0	10	16		125.0		
WVS 100	15.0 – 29.0		45.2	60.0	10	16		125.0		

<sup>(1)</sup> The K<sub>v</sub> value is the flow of water in [m<sup>3</sup>/h] at a pressure drop across valve of 1 bar, ρ = 1000 kg/m<sup>3</sup>.

<sup>(2)</sup> Fully open valve requires 33% higher pressure than a WVFX, range 3.5 – 16 bar.

<sup>(3)</sup> WVFX 15, WVFX 20 and WVFX 25 with stainless steel housing only.

<sup>(4)</sup> High pressure refrigerants version (45,2 MWP) only

<sup>(5)</sup> WVS, WVFX 10 – 25 and WVO with flare connection only; versions with capillary tube or with solder connections are not compatible with R717. WVFX 32 and WVFX 40 are not compatible with R717

WVFX is evaluated for R290, R454A, R454C, R455A, R600, R600a, R1234yf, R1270 by ignition source assessment in accordance with standard EN ISO80079-36. Flare connections are only approved for A1 and A2L refrigerants.

WVS is evaluated for R290, R600, R600a, R1270 by ignition source assessment in accordance with standard EN ISO80079-36. Flare connections are only approved for A1 and A2L refrigerants.

For complete list of approved refrigerants, visit [store.danfoss.com](https://store.danfoss.com) and search for individual code numbers, where refrigerants are listed as part of technical data

WVFX 10 – 40 are direct actuated valves. WVS 32 – 100 are servo-operated valves.

**Media temperature range**

- WVFX 10 – 25: -25 – 130 °C
- WVFX 32 – 40: -25 – 90 °C
- WVS: -25 – 90 °C

## Pressure operated water valve, Type WVFX and WVS

If a WVS is required with an opening differential pressure of 1 – 10 bar, the valve servo spring must be replaced. See [Ordering](#).

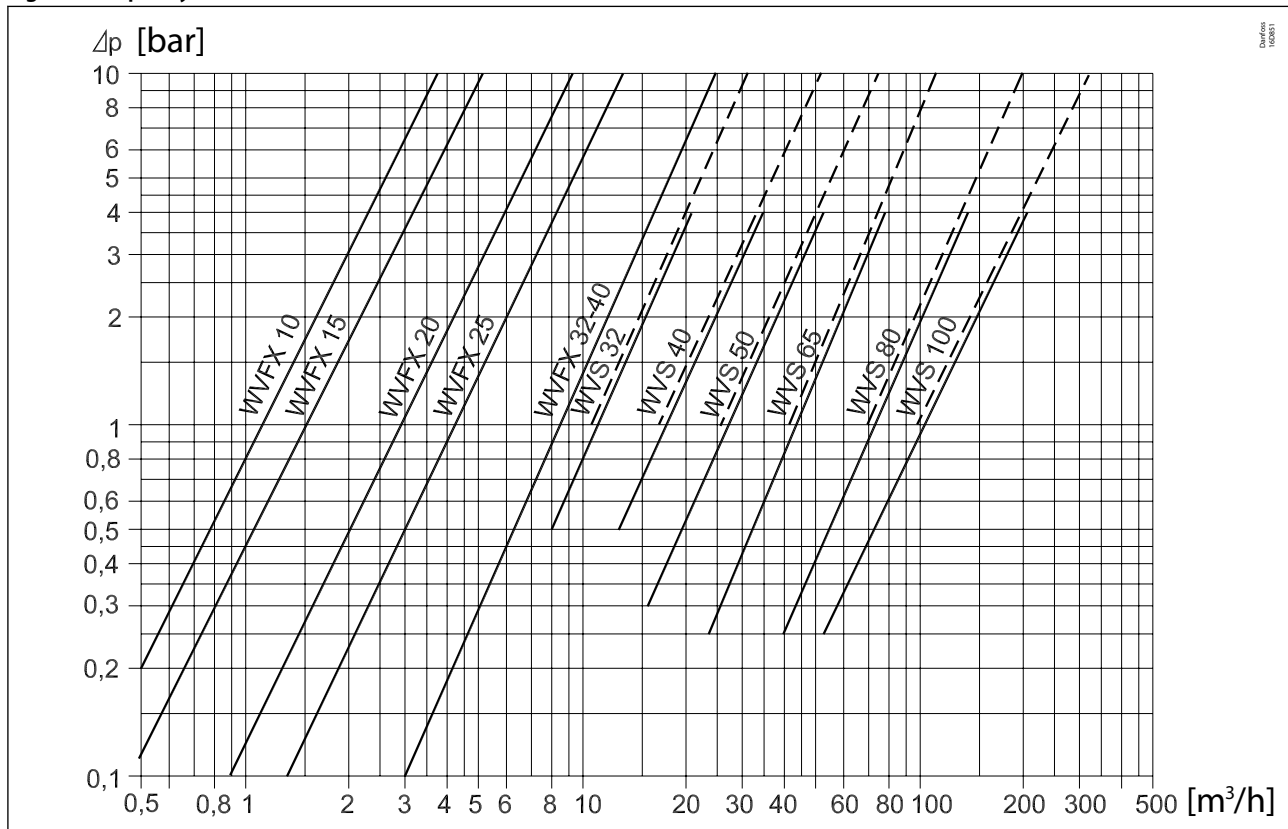
### Opening differential pressure

- WVFX 10 – 25: max. 10 bar
- WVFX 32 – 40: max. 10 bar
- WVS 32 – 40: min. 0.5 bar; max. 4 bar
- WVS 50 – 100: min. 0.3 bar; max. 4 bar

Below 20% of max. capacity the WVS will act as an on-off regulator.

### Capacity

Figure 6: Capacity



—	Standard servo spring type WVS
- - - - -	Special servo spring type WVS

Table 2: Water Valves Offset – rise in condensing pressure

Type	Δp offset [bar]
WVFX 10	2.0
WVFX 15	2.5
WVFX 20	3.0
WVFX 25	3.5
WVFX 32 – 40	3.0
WVS 32	0.6
WVS 40	0.7
WVS 50 – 80	0.8
WVS 100	0.9

## Pressure operated water valve, Type WVFX and WVS

The capacity curves show the capacities of individual valves (water quantity in [m<sup>3</sup>/h]) depending on the pressure drop across valves. The capacities given apply at 85% valve opening and are obtained with the following offset (rise in condensing pressure).

### Installation

WVS and WVFX 32, WVFX 40 is to be fitted in the cooling water inlet with flow in the direction of the arrow and with the bellows element facing upwards. Horizontal mounting is a must.

WVFX 10, WVFX 15 and WVFX 25 can be mounted in any position. Horizontal mounting is not required.

### Sizing

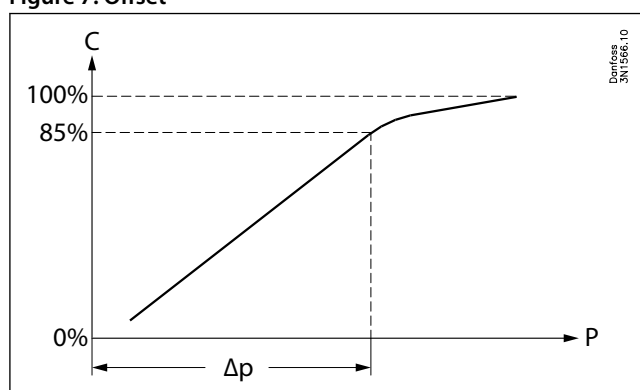
When sizing and selecting water regulating valves it is most important to ensure that the valve at any time is able to give the necessary quantity of cooling water.

To select a suitable size of valve it is necessary to know the precise amount of cooling required.

On the other hand, to avoid the risk of unstable regulation (hunting) the valve should not be oversized. In general, the aim should be to select the smallest valve capable of giving the required flow.

To obtain a precise control it can be recommended to only use 85% of the capacity. Below 85% the ratio between flow and condensing difference pressure is linear. Above 85% the ratio is no longer linear. To reach a 100% capacity the water valve needs significant increase of condensing pressure. See fig. below.

Figure 7: Offset



<b>C</b>	Water capacity
<b>P</b>	Condensing pressure
<b>Δp</b>	Δp offset

Table 3: Offset

Type	Δp offset [bar]
WVFX 10	2.0
WVFX 15	2.5
WVFX 20	3.0
WVFX 25	3.5
WVFX 32 – 40	3.0
WVS 32	0.6
WVS 40	0.7
WVS 50 – 80	0.8
WVS 100	0.9

### Valve size

The following data is used when selecting the size of the water valve

- Cooling capacity of condenser
- Temperature rise in cooling media
- Differential pressure across valve
- Condensing temperature
- Specific heat capacity of cooling media
- Refrigerant

## Sizing Examples

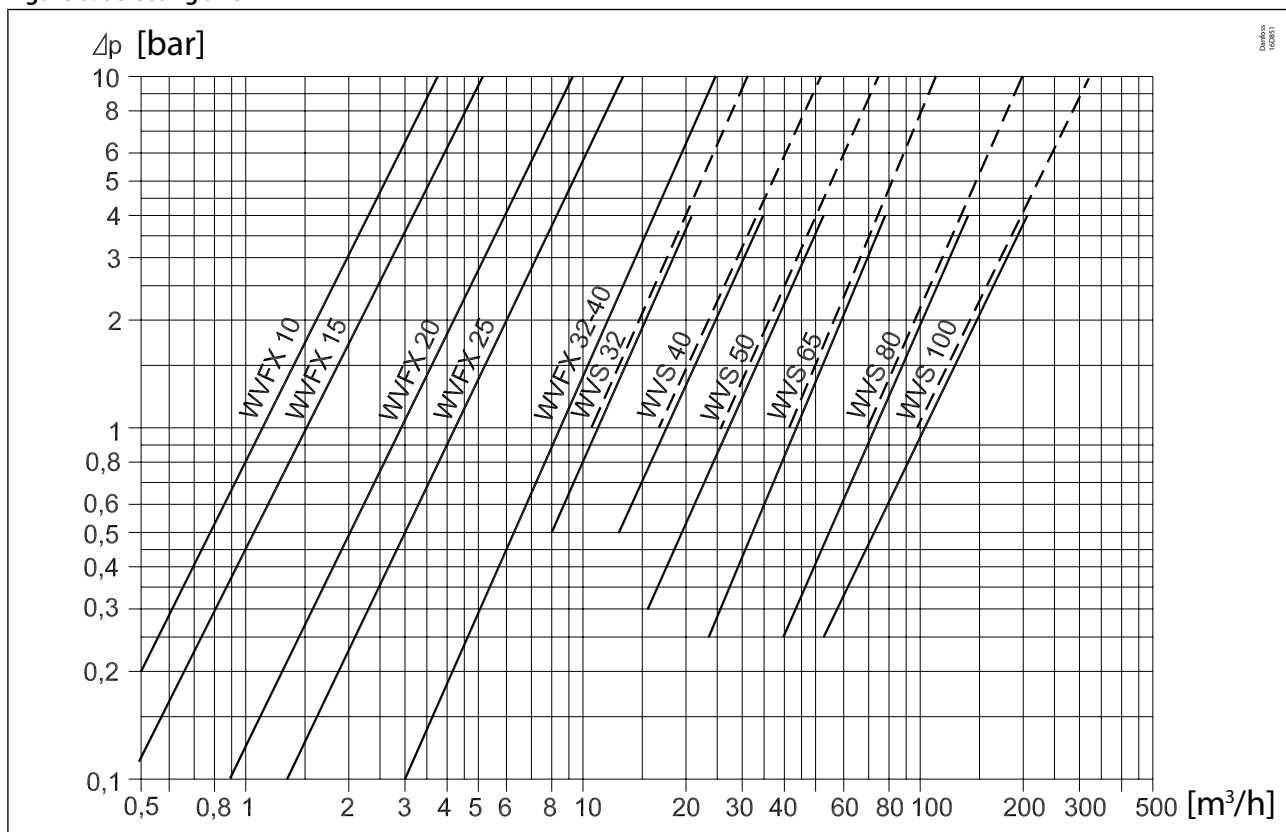
### Example 1:

- Condenser capacity  $Q_0$ : 30 kW
- Condensing temperature  $t_c$ : 35 °C
- Refrigerant: R404A
- Cooling media: water
- Specific heat capacity of water  $C_p$ : 4.19 kJ / (kg\*K)
- Water inlet temperature  $t_1$ : 15 °C
- Water outlet temperature  $t_2$ : 25 °C
- Pressure drop across valve  $\Delta p$ : max. 1.0 bar

Table 4: Calculation for size

Features	Calculation
Necessary mass flow	$\dot{m} = \frac{Q_c}{C_p \cdot (t_2 - t_1)} \cdot 3600 = \frac{30}{4.19 \cdot (25 - 15)} \cdot 3600 = 2577 \text{ kg/h}$
Volume flow	$\dot{v} = \frac{\dot{m}}{\rho} = \frac{2577}{1000} = 2.6 \text{ m}^3/\text{h}$

Figure 8: Selecting size



Selecting WVFX 20 code number

The saturated pressure for R404A:  $T_c = 35 \text{ °C} \rightarrow P_c = 15.5 \text{ barg}$

**Choose a WVFX 20 with 4 – 23 barg range**

### Example 2:

- Condenser capacity  $Q_0$ : 20 kW
- Condensing temperature  $t_c$ : 35 °C
- Refrigerant: R134a
- Cooling media: Brine
- Density of brine  $\rho$ : 1015 kg / m<sup>3</sup>



## Pressure operated water valve, Type WVFX and WVS

- Specific heat capacity of brine  $C_p$ : 4.35 kJ (kg\*K)
- Brine inlet temperature  $t_1$ : 20 °C
- Brine outlet temperature  $t_2$ : 25 °C
- Pressure drop across valve  $\Delta p$ : max. 2.0 bar

**Table 5: Calculation for size - SI units**

Features	Calculation
Necessary mass flow	$\dot{m} = \frac{Q_c}{C_p \cdot (t_2 - t_1)} \cdot 3600 = \frac{20}{4.35 \cdot (25 - 20)} \cdot 3600 = 3310 \text{ kg/h}$
Volume flow	$\dot{V} = \frac{\dot{m}}{\rho} = \frac{3310}{1015} = 3.26 \text{ m}^3 / \text{h}$
$k_v$ value	$k_v \geq \frac{\dot{V}}{\sqrt{\frac{1000 \cdot \Delta p}{\rho}}} = \frac{\dot{V}}{\sqrt{\frac{1000 \cdot 2.0}{1015}}} = 2.32 \text{ m}^3 / \text{h}$

### Selecting size of WVFX 20

$k_v \geq 2.32 \text{ m}^3 / \text{h} \rightarrow$  **WVFX 20**

WVFX 20 has  $k_v = 3.4 \text{ m}^3 / \text{h}$  and the necessary capacity is below 85% of full capacity.

### Code number

The saturated pressure for 134a:  $T_c = 35 \text{ °C}$   $P_c = 7.9 \text{ barg}$

**Choose a WVFX 20 with 3.5 – 16 barg range**

## Dimensions [mm] and weights [kg]

Figure 9: WVFX 10 – 25

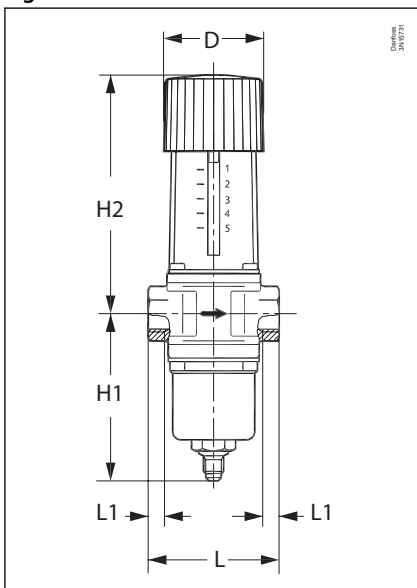


Figure 10: Bracket for WVFX 10 – 25

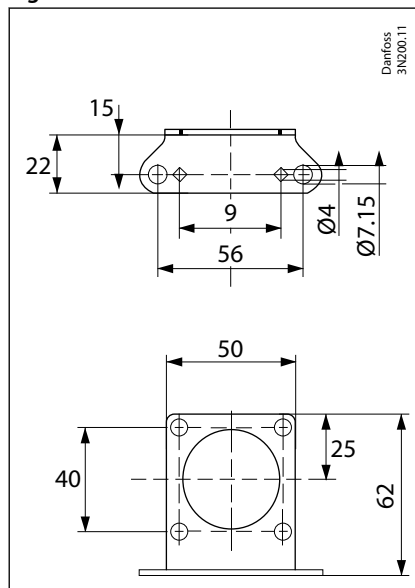
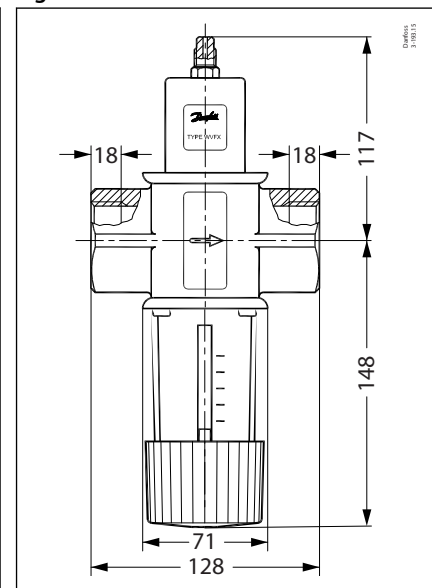


Figure 11: WVFX 32 – 40



## Pressure operated water valve, Type WVFX and WVS

Figure 12: WVS 32 – 40

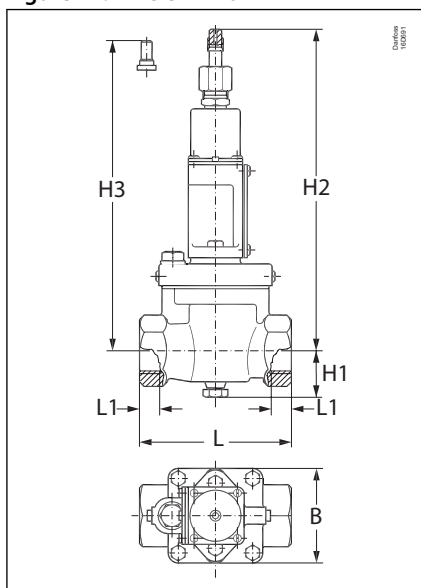


Figure 13: WVS 50 – 100

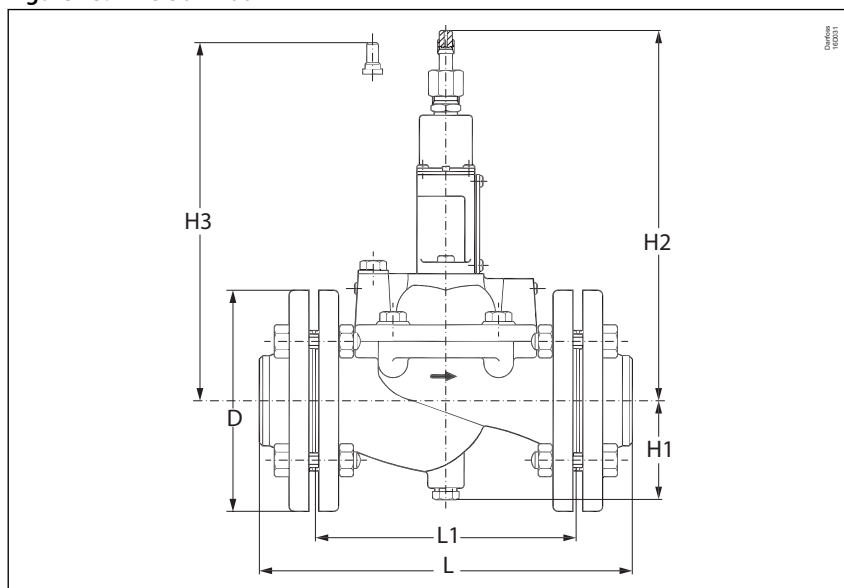


Table 6: Pressure operated water valve

Type	H1	H2	H3	L	L1	B	ø	Net weight
WVFX 10	91	133	–	72	11	–	55	1
WVFX 15	91	133	–	72	14	–	55	1
WVFX 20	91	133	–	90	16	–	55	2
WVFX 25	96	138	–	95	19	–	55	2
WVS 32	42	243	234	138	20	85	–	4
WVS 40	72	271	262	198	30	100	–	7
WVS 50	78	277	268	315	218	–	165	19
WVS 65	82	293	284	320	224	–	185	24
WVS 80	90	325	316	370	265	–	200	34
WVS 100	100	345	336	430	315	–	220	44

Table 7: Pressure operated water valve, type WVS - high pressure refrigerants

Type	H1	H2	H3	L	L1	B	ø	Net weight
WVS 32	42	259	250	138	20	85	–	4
WVS 40	72	287	278	198	30	100	–	7
WVS 50	78	293	2684	315	218	–	165	19
WVS 65	82	309	300	320	224	–	185	24
WVS 80	90	341	332	370	265	–	200	34
WVS 100	100	361	352	430	315	–	220	44

**NOTE:**

The dimensions for WVFX 32 - 40 is mentioned in [Figure 11: WVFX 32 – 40](#). The net weight for WVFX 32 is 3.2 kg and for WVFX 40 is 3.3 kg

## Ordering

### Ordering WVFX, commercial type

Table 8: Ordering WVFX, commercial type

Type	Connection <sup>(1)</sup>		Range	Code no.
	Water side	Condenser side	[bar]	
WVFX 10	G 3/8	1/4 in. / 6 mm flare	3.5 – 16	003N1100
WVFX 10	G 3/8	1/4 in. / 6 mm flare	4.0 – 23	003N1105
WVFX 15	G 1/2	1/4 in. / 6 mm flare	3.5 – 16	003N2100
WVFX 15	G 1/2	1/4 in. / 6 mm flare	4.0 – 23	003N2105
WVFX 15	G 1/2	1/4 in. / 6 mm flare nut	4.0 – 23	003N2205 <sup>(2)</sup>
WVFX 20	G 3/4	1/4 in. / 6 mm flare	3.5 – 16	003N3100
WVFX 20	G 3/4	1/4 in. / 6 mm flare	4.0 – 23	003N3105
WVFX 20	G 3/4	1/4 in. / 6 mm flare nut	4.0 – 23	003N3205 <sup>(2)</sup>
WVFX 25	G 1	1/4 in. / 6 mm flare	3.5 – 16	003N4100
WVFX 25	G 1	1/4 in. / 6 mm flare	4.0 – 23	003N4105
WVFX 32	G 1 1/4	1/4 in. / 6 mm flare	4.0 – 17	003F1232
WVFX 40	G 1 1/2	1/4 in. / 6 mm flare	4.0 – 17	003F1240

<sup>(1)</sup> ISO 228-1

<sup>(2)</sup> WVFX 15 with 1 m capillary tube and flare nut with valve depressor

### Ordering WVFX, maritime type (stainless steel version)

Table 9: Ordering WVFX, maritime type (stainless steel version)

Type	Connection <sup>(1)</sup>		Range	Code no.
	Water side	Condenser side	[bar]	
WVFX 15	G 1/2	1/4 in. / 6 mm flare	3.5 – 16	003N2101
WVFX 15	G 1/2	1/4 in. / 6 mm flare	4.0 – 23	003N2104
WVFX 20	G 3/4	1/4 in. / 6 mm flare	4.0 – 23	003N3104
WVFX 25	G 1	1/4 in. / 6 mm flare	3.5 – 16	003N4101
WVFX 25	G 1	1/4 in. / 6 mm flare	4.0 – 23	003N4104

<sup>(1)</sup> ISO 228-1

### Ordering WVFX, commercial type (high pressure refrigerants, MWP 45.2 bar)

Table 10: Ordering WVFX, commercial type (high pressure refrigerants, MWP 45.2 bar)

Type	Connection <sup>(1)</sup>		Range	Code no.
	Water side	Condenser side	[bar]	
WVFX 10	G 3/8	1/4 in. / 6 mm flare	15.0 – 29.0	003N1410
WVFX 15	G 1/2	1/4 in. / 6 mm flare	15.0 – 29.0	003N2410
WVFX 20	G 3/4	1/4 in. / 6 mm flare	15.0 – 29.0	003N3410
WVFX 25	G 1	1/4 in. / 6 mm flare	15.0 – 29.0	003N4410

<sup>(1)</sup> ISO 228-1

### Ordering WVS, commercial type

Table 11: Ordering WVS, commercial type

Type	Connection <sup>(1)</sup>	Code no.				
		Valve body	Pilot unit <sup>(3)</sup>	Pilot unit for R410A and R744 <sup>(3)</sup>	Flange set <sup>(4)</sup>	Servo spring for differential pressure range of 1 – 10 bar
WVS 32	G 1 1/2 <sup>(1)</sup>	016D5032	016D1017	016D1018	–	016D1327
WVS 40	G 1 1/2 <sup>(1)</sup>	016D5040	016D1017	016D1018	–	016D0575
WVS 50	2 in. weld flange	016D5050 <sup>(2)</sup>	016D1017	016D1018	027N3050	016D0576

## Pressure operated water valve, Type WVFX and WVS

Type	Connection <sup>(1)</sup>	Code no.				
		Valve body	Pilot unit <sup>(3)</sup>	Pilot unit for R410A and R744 <sup>(3)</sup>	Flange set <sup>(4)</sup>	Servo spring for differential pressure range of 1 – 10 bar
WVS 65	2 1/2 in. weld flange	016D5065 <sup>(2)</sup>	016D1017	016D1018	027N3065	016D0577
WVS 80	3 in. weld flange	016D5080 <sup>(2)</sup>	016D1017	016D1018	027N3080	016D0578
WVS 100	4 in. weld flange	016D5100 <sup>(2)</sup>	016D1017	016D1018	027N3100	016D0579

<sup>(1)</sup> ISO 228-1

<sup>(2)</sup> Parts included: valve body, flange gaskets, flange bolts and screws for pilot valve.

<sup>(3)</sup> Parts included: control element and spring housing.

<sup>(4)</sup> Parts included: 2 flanges

## Accessories

Table 12: Accessories

Description	Code no.
1 m capillary tube 1/4 in. (6 mm) flare coupling nuts at each end	060-017166
Bracket for WVFX 10 – 25	003N0388

## Certificates, declarations, and approvals

The list contains all certificates, declarations, and approvals for this product type. Individual code number may have some or all of these approvals, and certain local approvals may not appear on the list.

Some approvals may change over time. You can check the most current status at [danfoss.com](http://danfoss.com) or contact your local Danfoss representative if you have any questions.

**Table 13: Valid Certificates, declarations, and approvals**

Document name	Document type	Document topic	Approval authority
003N9613.AB	Manufacturers Declaration	PED	Danfoss
003N9614.AA	Manufacturers Declaration	China RoHS	Danfoss
003N9616.AA	Manufacturers Declaration	ATEX	Danfoss
003N9617.AB	Manufacturers Declaration	PED/RoHS	Danfoss
UL SA7200	Mechanical - Safety Certificate		UL

## Online support

Danfoss offers a wide range of support along with our products, including digital product information, software, mobile apps, and expert guidance. See the possibilities below.

### The Danfoss Product Store



The Danfoss Product Store is your one-stop shop for everything product related—no matter where you are in the world or what area of the cooling industry you work in. Get quick access to essential information like product specs, code numbers, technical documentation, certifications, accessories, and more.

Start browsing at [store.danfoss.com](https://store.danfoss.com).

### Find technical documentation



Find the technical documentation you need to get your project up and running. Get direct access to our official collection of data sheets, certificates and declarations, manuals and guides, 3D models and drawings, case stories, brochures, and much more.

Start searching now at [www.danfoss.com/en/service-and-support/documentation](https://www.danfoss.com/en/service-and-support/documentation).

### Danfoss Learning



Danfoss Learning is a free online learning platform. It features courses and materials specifically designed to help engineers, installers, service technicians, and wholesalers better understand the products, applications, industry topics, and trends that will help you do your job better.

Create your Danfoss Learning account for free at [www.danfoss.com/en/service-and-support/learning](https://www.danfoss.com/en/service-and-support/learning).

### Get local information and support



Local Danfoss websites are the main sources for help and information about our company and products. Find product availability, get the latest regional news, or connect with a nearby expert—all in your own language.

Find your local Danfoss website here: [www.danfoss.com/en/choose-region](https://www.danfoss.com/en/choose-region).

### Coolselector®2 - find the best components for you HVAC/R system



Coolselector®2 makes it easy for engineers, consultants, and designers to find and order the best components for refrigeration and air conditioning systems. Run calculations based on your operating conditions and then choose the best setup for your system design.

Download Coolselector®2 for free at [coolselector.danfoss.com](https://coolselector.danfoss.com).