



AIR CONDITIONING



REFRIGERATION



HEATING



Hi-Lift 1L & 2L

CONDENSATE REMOVAL PUMP

The world's only persaltic tank pump offers unsurpassed high head and unmatched reliability.



11L/h max. flow



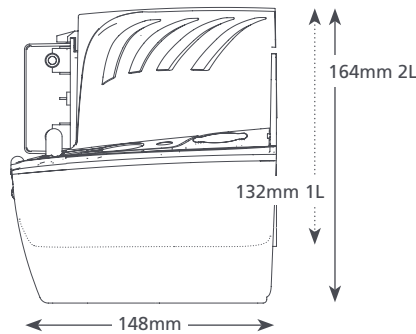
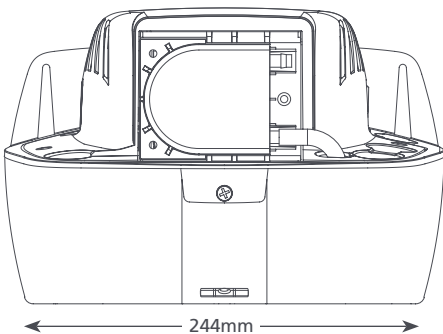
12m max. head (flow rate 11L/h)

KEY FEATURES

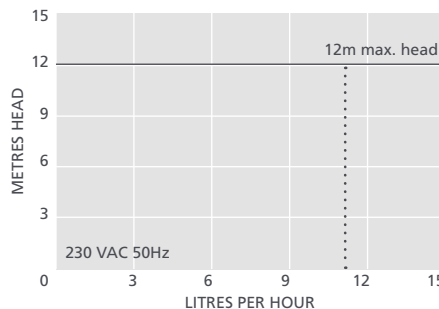
- High head
- Easy fit & maintenance
- Easy access clean tray
- Built in spirit level

SUITABILITY

- Up to 14kW / 47,000Btu/h
- Ducted units; Floor standing & Chassis units; Cassette units; Refrigerated units / cold store
- ✓ **Perfect for...** High head applications



HI-LIFT 1L & 2L @ 230 VAC 50Hz	
Max. flow	11L/h @ 0m head
Max. head	12m
Tank capacity	1L & 2L
dB(A) @ 1m	51
Power supply	230 VAC, 0.4A, 50/60Hz
Rated	Continuously
Class	I appliance
Max. unit output	14kW / 47,000Btu/h
Max. water temp	40°C / 104°F
Inlet/outlet	x3 25mm in, 6mm out
IP Protection	IP20
Safety switch	3.0A Normally closed
Thermal protection	✓
Fully potted	n/a
Self priming	n/a



SUGGESTED XTRA ACCESSORIES

Description	Part No.
Tank pump connector 16mm–21mm	FP2011
Tube To Soil Stack Adaptor	FP2038
Vinyl Tube Braided 1/4" (6mm)	AX5110



For more installation accessories take a look at our Aspen Xtra range

IN THE BOX

Hi-lift 1L or 2L pump • 2m Plug & play power cable • Fixing kit • Install manual

Download manual at aspenspumps.com

HI-LIFT 1L & 2L OPTIONS

Hi-lift 1L	FP2099/2
Hi-lift 2L	FP2071/2

Information correct at time of going to press.