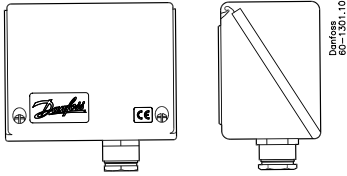


Installation guide

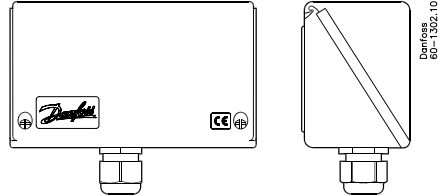
IP 55 enclosure

Type KP

060R9770

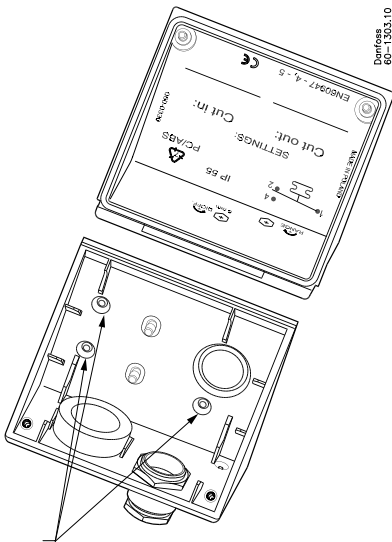


IP 55 enclosure for single KP
code number 060-033066

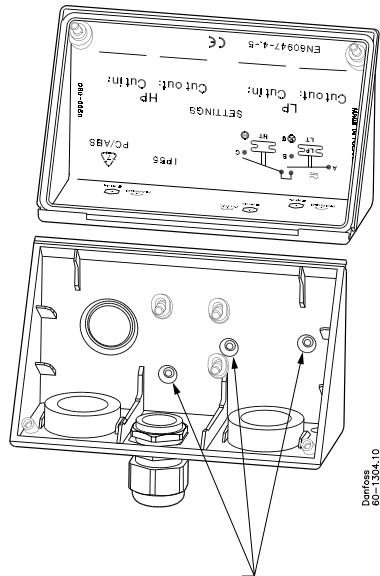


IP 55 enclosure for dual KP
code number 060-035066

060R9770



Blind holes



Blind holes



Note:

If blind holes are to be used for mounting, the maximum torque must not exceed 2.5 Nm.