

Model

Designation	SC10G	220-240V/60Hz 1~ 220-240V/50Hz 1~	Sales code:	104G8000
-------------	--------------	-----------------------------------	-------------	-----------------

Compressor design

Oil type	Polyolester	Refrigerant(s)	R134a, R513A
Oil viscosity	22cSt	Displacement	10,29cm ³ / 0,63cu.in
Oil quantity	546cm ³ / 18,5fl.oz	Compressors on pallet	80
Refr. charge - tech. limit	1300g / 45,9oz		
Free gas volume comp.	1510cm ³ / 51,1fl.oz		
Weight	12,1kg / 26,7lbs		
Motor protection	1# internal		
Winding resistance main	7,9Ω (at 25°C)		
Winding resistance aux	14Ω (at 25°C)		
Max. winding temp.	125°C / 257°F		
Max. discharge temp.	130°C / 266°F		



General - Configurations with SC10G

	Conf. 1	Conf. 2	Conf. 3	Conf. 4	Conf. 5
Motorconfiguration	CSIR	CSIR	CSIR	CSIR	RSIR
Power supply (nominal)	220-240V/50Hz	208-230V/60Hz	220-240V/50Hz	208-230V/60Hz	220-240V/50Hz
Number of phases	1	1	1	1	1
Voltage range	187-254V	198-254V	187-254V	198-253V	187-254V
Approvals	VDE, CCC, EAC	VDE, CCC, EAC	VDE, CCC	VDE, CCC	VDE, CCC, EAC
Starting torque	HST	HST	HST	HST	LST
Note	- / -				

Applications with SC10G

	Conf. 1	Conf. 2	Conf. 3	Conf. 4	Conf. 5
Refrigerant	R134a	R134a	R513A	R513A	R134a
Application	LBP+MBP+HBP	LBP	LBP+MBP+HBP	LBP	LBP+MBP+HBP
System cooling	fan 3m/s	fan 3m/s	fan 3m/s	fan 3m/s	fan 3m/s
Hot gas defrost	OK	OK	OK	OK	OK
Long interval pull down	OK	OK	OK	OK	OK

Electrical data - Configurations with SC10G

	Conf. 1	Conf. 2	Conf. 3	Conf. 4	Conf. 5
Starting device type	relay	relay	relay	relay	PTC
Run capacitor	- / -	- / -	- / -	- / -	- / -
Start capacitor	80μF	80μF	80μF	80μF	- / -
LRA (locked rotor amps / 4s)	11A	11A	11A	11A	10A
RLA (rated load amps / 1s)	2,1A	2,1A	2,1A	2,1A	2,1A
Cut in current	15A	15A	15A	15A	15A
IP class	21	21	21	21	21

Model

Designation

SC10G

220-240V/60Hz 1~ 220-240V/50Hz 1~

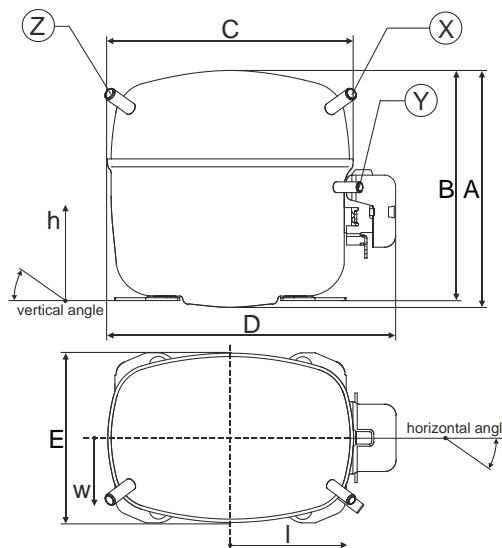
Sales code:

104G8000

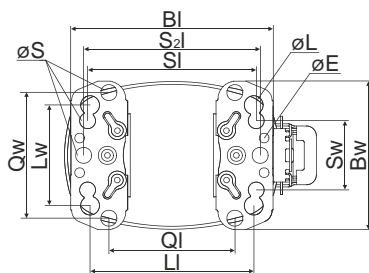
Compressor dimensions

Housing	A Height	199mm / 7,83in
	B Height	193mm / 7,6in
	C Length shell	218mm / 8,58in
	D Length w. cover	255mm / 10,04in
	E Width	151mm / 5,94in

Connectors	Suction	Discharge	Process
	X	Y	Z
Diameter [mm]	øi 8,11-8,29	øi 6,11-6,29	øi 6,11-6,29
(i:inside, o:outside) [in]	øi 0,32-0,33	øi 0,24-0,25	øi 0,24-0,25
Material	copper	copper	copper
Horizontal angle ±2°	37°	37°	143°
Vertical angle ±2°	30°	0°	150°
Position l/h/w [mm]	107/173/55	115/90/63	-107/173/55
[in]	4,2/6,8/2,2	4,5/3,5/2,5	-4,2/6,8/2,2
Straight tube l. [mm]	12	12	12
[in]	0,5	0,5	0,5



Compressor fixation

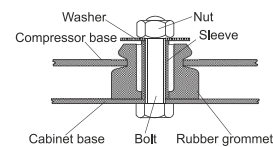


Baseplate	[mm]	[inch]
BI	204	8.03
Bw	150	5.9
øE	ø 9.7	ø 0.38
Large holes	[mm]	[inch]
LI	165	6.5
LW	101.6	4
øL	ø 19	ø 0.75
Small holes	[mm]	[inch]
SI	170	6.7
Sw	70	2.76
øS	ø 16	ø 0.63
QI	127	5
Qw	127	5

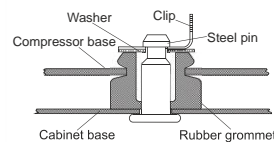
Mounting accessories

	one comp.	multi pack
Bolt joint M6 ø16mm	118-1917	118-1918
Bolt joint ø1/4" ø16mm	118-1946	
Bolt joint ø1/4" ø19mm	118-1949	
Snap-on ø7,3 ø16mm	118-1947	118-1919

Bolt joint



Snap-on



Model

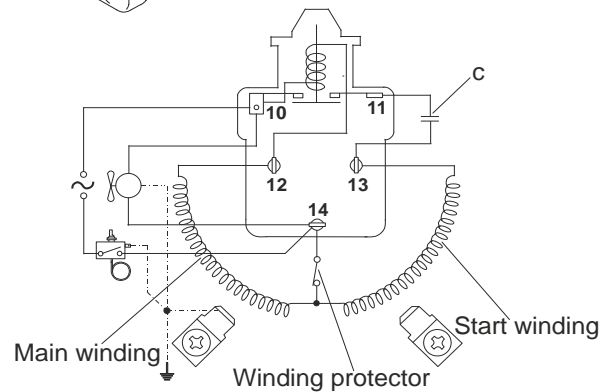
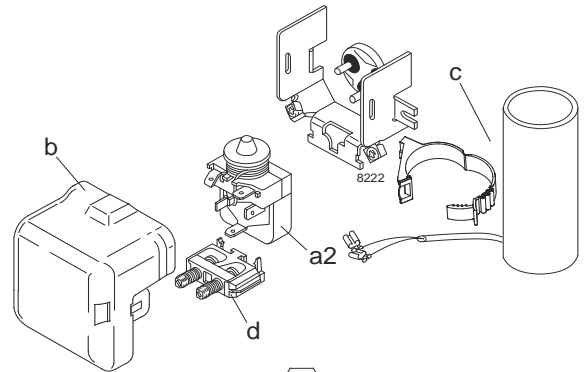
Designation	SC10G	220-240V/50Hz	Conf. 1	Sales code:	104G8000
-------------	--------------	----------------------	----------------	-------------	-----------------

Configuration

Motorconfiguration	CSIR
Power supply (nominal)	220-240V/50Hz 1~
Refrigerant	R134a
Application	LBP+MBP+HBP
Voltage range	187-254V
Starting torque	HST
Approvals	VDE CCC EAC

Electrical accessories / wiring diagram

CSIR

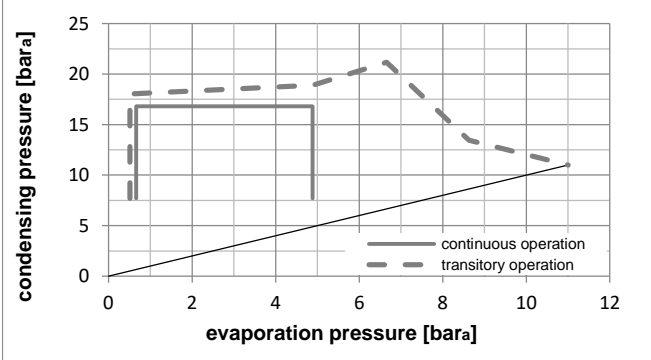
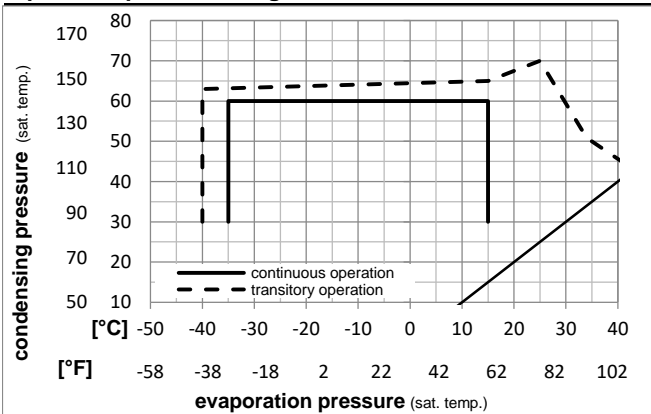


Ambient temperatures / system cooling

Ambient temperature min.:	10°C / 50°F
Ambient temperature max.:	43°C / 110°F

System cooling (n/a: outside limits)			
T ambient	LBP	MBP	HBP
32°C / 90°F	fan 3m/s	fan 3m/s	fan 3m/s
38°C / 100°F	fan 3m/s	fan 3m/s	fan 3m/s
43°C / 110°F	fan 3m/s	fan 3m/s	fan 3m/s

Operation pressure range



Components

a2	assy. relay	117U6002
c	start capacitor (80μF)	117U5017
d	cord relief	103N1004
b	plastic cover	103N2009

Model

Designation **SC10G 220-240V/50Hz** Conf. 1 Sales code: **104G8000**

Optimization + standard conditions

220V/50Hz, CSIR, fan 3m/s, VDE, CCC, EAC

Evaporating pressure (saturation temperature)					Condensing pressure (saturation temperature)						Power consumption				ASHRAE LBP
					Return gas temp.			Liquid temp.			Current consumption		Ref. mass flow		
					Cooling capacity			COP			EER				
pe	pc	RGT	Tliq		[W]	[Btu/h]	[kcal/h]	[W/W]	[Btu/Wh]	[kcal/Wh]	P1	I	m		
[°C]	[°C]	[°C]	[°C]	[°C]	[W]	[Btu/h]	[kcal/h]	[W/W]	[Btu/Wh]	[kcal/Wh]	[W]	[A]	[kg/h]		
-23,3	54,4	32,2	32,2		167,8	573	144,4	0,86	2,95	0,74	194,1	1,44	3,26	ASHRAE LBP	
[-10]	130	90	90												
-25	55	32	55		113,2	386	97,4	0,63	2,14	0,54	181,0	1,41	2,71	cecomaf LBP	
[-13]	131	89,6	131												
-35	40	20	40		71,3	244	61,4	0,61	2,07	0,52	117,6	1,33	1,56	EN12900 LBP	
[-31]	104	68	104												
-6,66	54,4	35	46,1		493,8	1686	424,9	1,59	5,43	1,37	310,3	1,80	10,77	ASHRAE MBP	
[20]	130	95	115												
-10	55	32	55		369,4	1262	317,9	1,27	4,35	1,10	290,0	1,72	8,93	cecomaf MBP	
[14]	131	89,6	131												
-10	45	20	45		437,8	1495	376,8	1,61	5,49	1,38	272,4	1,67	10,25	EN12900 MBP	
[14]	113	68	113												

Performance tables

220V/50Hz, CSIR, fan 3m/s, VDE, CCC, EAC

	pe	Cooling capacity			COP			EER			P1	I	m
	[°C]	[°F]	[W]	[Btu/h]	[kcal/h]	[W/W]	[Btu/Wh]	[kcal/Wh]	[W]	[A]	[kg/h]		
[°C / °F]	-35	-31	53,5	183	46,1	0,49	1,69	0,43	108,3	1,31	1,16		
cond. pressure	-25	-13	166,6	569	143,4	0,91	3,12	0,79	182,5	1,42	3,61		
pc= 45/113	-15	5	343,0	1171	295,2	1,40	4,79	1,21	244,7	1,57	7,48		
return gas temp.	-10	14	454,2	1551	390,9	1,67	5,69	1,43	272,4	1,67	9,94		
RGT= 32/90	0	32	721,0	2462	620,5	2,23	7,62	1,92	323,3	1,87	15,94		
liquid temp	5	41	876,0	2992	753,9	2,52	8,61	2,17	347,3	1,97	19,50		
Tliq= 45/113	15	59	1227,7	4193	1056,5	3,11	10,63	2,68	394,6	2,18	27,81		
[°C / °F]	-35	-31	23,3	80	20,1	0,25	0,85	0,22	93,4	1,29	0,56		
cond. pressure	-25	-13	113,2	386	97,4	0,63	2,14	0,54	181,0	1,41	2,71		
pc= 55/131	-15	5	268,2	916	230,8	1,05	3,58	0,90	256,1	1,61	6,46		
return gas temp	-10	14	369,4	1262	317,9	1,27	4,35	1,10	290,0	1,72	8,93		
RGT= 32/90	0	32	617,7	2110	531,6	1,75	5,98	1,51	352,9	1,98	15,11		
liquid temp	5	41	764,2	2610	657,7	2,00	6,82	1,72	382,7	2,12	18,83		
Tliq= 55/131	15	59	1100,2	3757	946,8	2,49	8,52	2,15	441,2	2,40	27,63		

Model

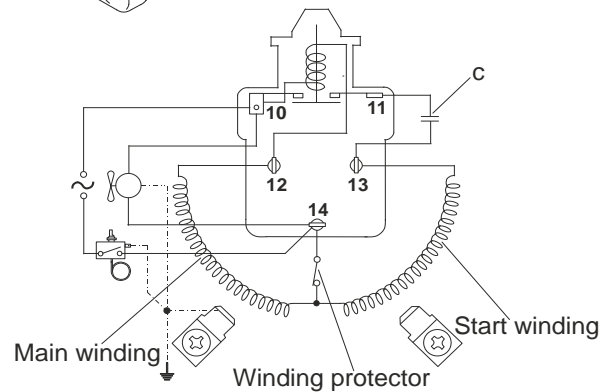
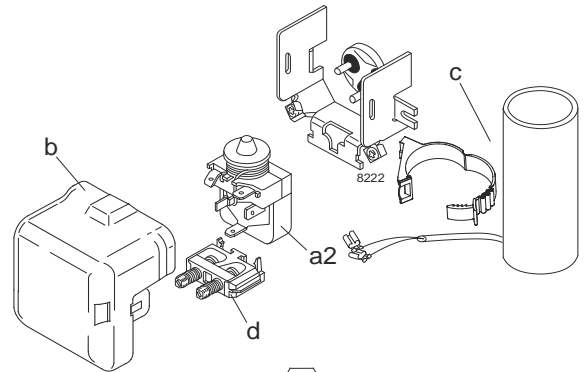
Designation	SC10G	208-230V/60Hz	Conf. 2	Sales code:	104G8000
-------------	--------------	----------------------	----------------	-------------	-----------------

Configuration

Motorconfiguration	CSIR
Power supply (nominal)	208-230V/60Hz 1~
Refrigerant	R134a
Application	LBP
Voltage range	198-254V
Starting torque	HST
Approvals	VDE CCC EAC

Electrical accessories / wiring diagram

CSIR

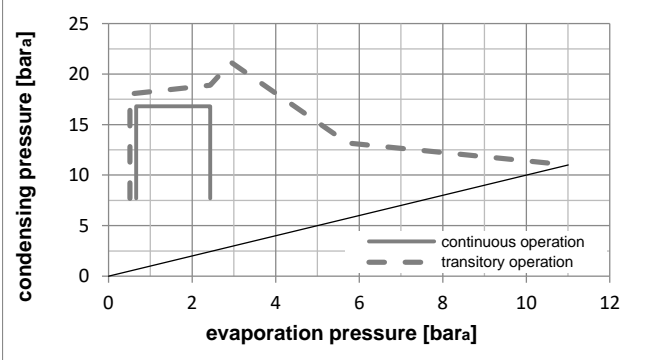
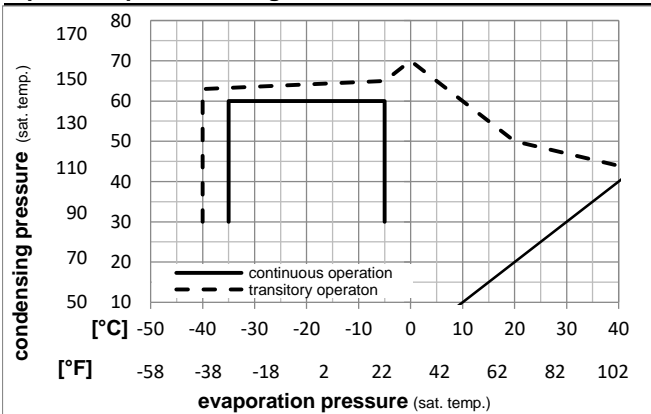


Ambient temperatures / system cooling

Ambient temperature min.:	10°C / 50°F
Ambient temperature max.:	43°C / 110°F

System cooling (n/a: outside limits)			
T ambient	LBP	MBP	HBP
32°C / 90°F	fan 3m/s	n/a	n/a
38°C / 100°F	fan 3m/s	n/a	n/a
43°C / 110°F	fan 3m/s	n/a	n/a

Operation pressure range



Components

a2	assy. relay	117U6002
c	start capacitor (80µF)	117U5017
d	cord relief	103N1004
b	plastic cover	103N2009

Model

Designation **SC10G 208-230V/60Hz** Conf. 2 Sales code: **104G8000**

Optimization + standard conditions

220V/60Hz, CSIR, fan 3m/s, VDE, CCC, EAC

Evaporating pressure (saturation temperature)					Condensing pressure (saturation temperature)						Power consumption				ASHRAE LBP
					Return gas temp.						Current consumption			Ref. mass flow ṁ	
					Liquid temp.						P1	I	ṁ		
					Cooling capacity										
	pe	pc	RGT	Tliq	[W]	[Btu/h]	[kcal/h]	COP	EER	[kcal/Wh]	[W]	[A]	[kg/h]		
[°C]	-23,3	54,4	32,2	32,2	196,3	670	168,9	0,86	2,95	0,74	227,1	1,69	3,81		
[°F]	-10	130	90	90											
[°C]	-25	55	32	55	132,4	452	113,9	0,63	2,14	0,54	211,7	1,66	3,17	cecomaf LBP	
[°F]	-13	131	89,6	131											
[°C]	-35	40	20	40	83,4	285	71,8	0,61	2,07	0,52	137,6	1,56	1,83	EN12900 LBP	
[°F]	-31	104	68	104											
[°C]	-6,66	54,4	35	46,1	577,7	1973	497,2	1,59	5,43	1,37	363,1	2,11	12,60	ASHRAE MBP	
[°F]	20	130	95	115											
[°C]	-10	55	32	55	432,2	1476	372,0	1,27	4,35	1,10	339,3	2,02	10,45	cecomaf MBP	
[°F]	14	131	89,6	131											
[°C]	-10	45	20	45	512,2	1749	440,8	1,61	5,49	1,38	318,7	1,95	11,99	EN12900 MBP	
[°F]	14	113	68	113											

Performance tables

220V/60Hz, CSIR, fan 3m/s, VDE, CCC, EAC

	pe	Cooling capacity			COP	EER	P1	I	m		
	[°C]	[°F]	[W]	[Btu/h]	[kcal/h]	[W/W]	[Btu/Wh]	[kcal/Wh]	[W]	[A]	[kg/h]
[°C / °F]	-35	-31	62,7	214	53,9	0,49	1,69	0,43	126,8	1,53	1,35
cond. pressure	-30	-22	119,3	408	102,7	0,69	2,37	0,60	172,1	1,59	2,58
pc= 45/113	-25	-13	194,9	666	167,7	0,91	3,12	0,79	213,5	1,66	4,22
return gas temp.	-23,3	-10	224,8	768	193,5	0,99	3,39	0,85	226,7	1,69	4,88
RGT= 32/90	-20	-4	289,0	987	248,7	1,15	3,93	0,99	251,4	1,74	6,28
liquid temp	-15	5	401,3	1371	345,4	1,40	4,79	1,21	286,3	1,84	8,75
Tliq= 45/113	-5	23	678,9	2319	584,3	1,94	6,64	1,67	349,2	2,07	14,93
[°C / °F]	-35	-31	27,3	93	23,5	0,25	0,85	0,22	109,3	1,50	0,65
cond. pressure	-30	-22	70,1	239	60,3	0,43	1,47	0,37	162,6	1,57	1,67
pc= 55/131	-25	-13	132,4	452	113,9	0,63	2,14	0,54	211,7	1,66	3,17
return gas temp	-23,3	-10	157,9	539	135,9	0,69	2,37	0,60	227,6	1,69	3,78
RGT= 32/90	-20	-4	213,7	730	183,9	0,83	2,84	0,72	257,2	1,76	5,13
liquid temp	-15	5	313,8	1072	270,1	1,05	3,58	0,90	299,6	1,88	7,55
Tliq= 55/131	-5	23	568,7	1942	489,4	1,51	5,15	1,30	376,9	2,16	13,82

Model

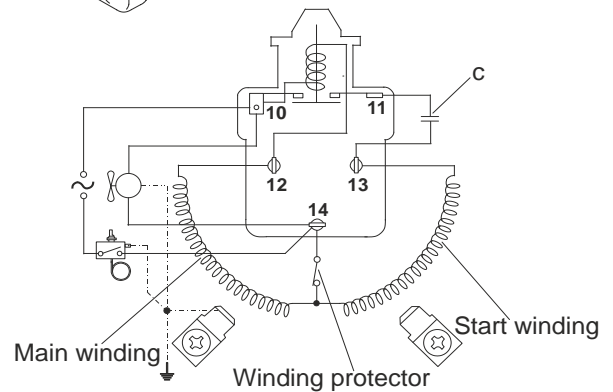
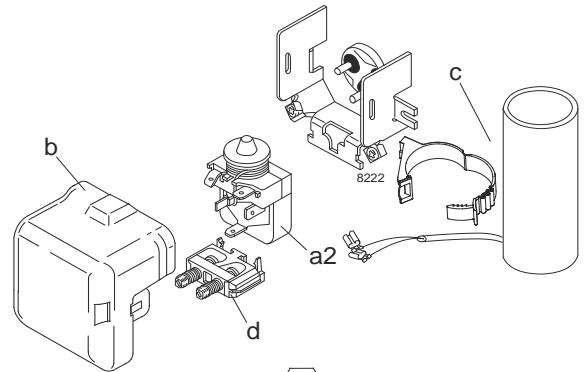
Designation	SC10G	220-240V/50Hz	Conf. 3	Sales code:	104G8000
-------------	--------------	----------------------	----------------	-------------	-----------------

Configuration

Motorconfiguration	CSIR
Power supply (nominal)	220-240V/50Hz 1~
Refrigerant	R513A
Application	LBP+MBP+HBP
Voltage range	187-254V
Starting torque	HST
Approvals	VDE CCC

Electrical accessories / wiring diagram

CSIR

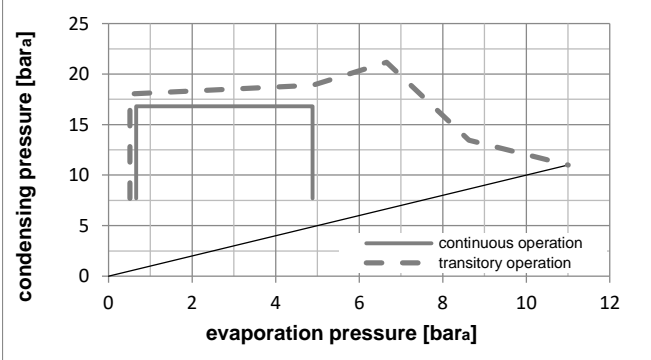
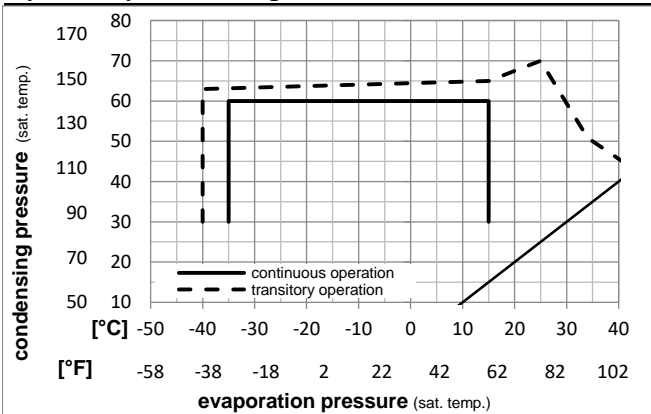


Ambient temperatures / system cooling

Ambient temperature min.:	10°C / 50°F
Ambient temperature max.:	43°C / 110°F

System cooling (n/a: outside limits)			
T ambient	LBP	MBP	HBP
32°C / 90°F	fan 3m/s	fan 3m/s	fan 3m/s
38°C / 100°F	fan 3m/s	fan 3m/s	fan 3m/s
43°C / 110°F	fan 3m/s	fan 3m/s	fan 3m/s

Operation pressure range



Components

a2	assy. relay	117U6002
c	start capacitor (80µF)	117U5017
d	cord relief	103N1004
b	plastic cover	103N2009

Model

Designation **SC10G 220-240V/50Hz** Conf. 3 Sales code: **104G8000**

Optimization + standard conditions

220V/50Hz, CSIR, fan 3m/s, VDE, CCC

Evaporating pressure (saturation temperature)					Condensing pressure (saturation temperature)						Power consumption				ASHRAE LBP		
					Return gas temp.						Current consumption					Ref. mass flow ṁ	
					Liquid temp.						COP						EER
					Cooling capacity						P1						
pe	pc	RGT	Tliq		[W]	[Btu/h]	[kcal/h]	[W/W]	[Btu/Wh]	[kcal/Wh]	[W]	[A]	[kg/h]				
[°C]	-23,3	54,4	32,2	32,2	187,0	639	160,9	0,89	3,03	0,76	210,7	1,49	4,02				
[°F]	-10	130	90	90													
[°C]	-25	55	32	55	122,9	420	105,8	0,62	2,13	0,54	197,1	1,44	3,37	cecomaf LBP			
[°F]	-13	131	89,6	131													
[°C]	-35	40	20	40	79,4	271	68,3	0,62	2,12	0,53	128,1	1,20	1,96	EN12900 LBP			
[°F]	-31	104	68	104													
[°C]	-6,66	54,4	35	46,1	518,9	1772	446,6	1,57	5,38	1,36	329,5	1,90	12,71	ASHRAE MBP			
[°F]	20	130	95	115													
[°C]	-10	55	32	55	383,9	1311	330,4	1,24	4,24	1,07	309,3	1,83	10,62	cecomaf MBP			
[°F]	14	131	89,6	131													
[°C]	-10	45	20	45	458,2	1565	394,3	1,58	5,40	1,36	289,5	1,76	12,14	EN12900 MBP			
[°F]	14	113	68	113													

Performance tables

220V/50Hz, CSIR, fan 3m/s, VDE, CCC

	pe	Cooling capacity			COP	EER		P1	I	m	
	[°C]	[°F]	[W]	[Btu/h]	[kcal/h]	[W/W]	[Btu/Wh]	[kcal/Wh]	[W]	[A]	[kg/h]
[°C / °F]	-35	-31	59,8	204	51,5	0,50	1,72	0,43	118,6	1,17	1,45
cond. pressure	-25	-13	182,1	622	156,7	0,92	3,15	0,79	197,2	1,44	4,44
pc= 45/113	-15	5	365,5	1248	314,6	1,40	4,77	1,20	261,5	1,67	8,96
return gas temp.	-10	14	479,1	1636	412,3	1,65	5,65	1,42	289,5	1,76	11,78
RGT= 32/90	0	32	748,1	2555	643,9	2,20	7,51	1,89	340,1	1,94	18,56
liquid temp	5	41	902,7	3083	776,9	2,48	8,48	2,14	363,7	2,02	22,52
Tliq= 45/113	15	59	1250,2	4270	1075,9	3,05	10,41	2,62	410,2	2,19	31,63
[°C / °F]	-35	-31	26,2	90	22,6	0,25	0,86	0,22	104,1	1,12	0,72
cond. pressure	-25	-13	122,9	420	105,8	0,62	2,13	0,54	197,1	1,44	3,37
pc= 55/131	-15	5	282,0	963	242,7	1,03	3,50	0,88	274,8	1,71	7,77
return gas temp	-10	14	383,9	1311	330,4	1,24	4,24	1,07	309,3	1,83	10,62
RGT= 32/90	0	32	630,6	2154	542,7	1,69	5,79	1,46	372,1	2,05	17,61
liquid temp	5	41	774,5	2645	666,5	1,93	6,59	1,66	401,5	2,16	21,77
Tliq= 55/131	15	59	1101,5	3762	947,9	2,40	8,19	2,06	459,1	2,36	31,46

Model

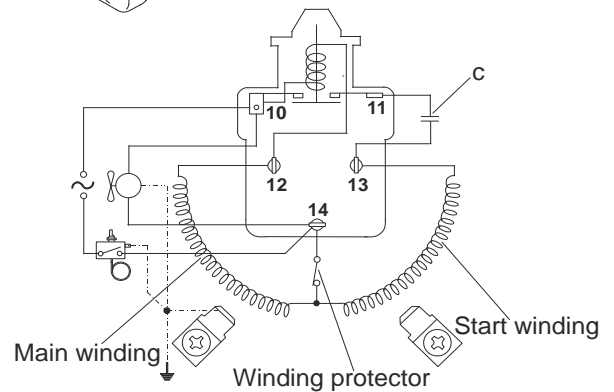
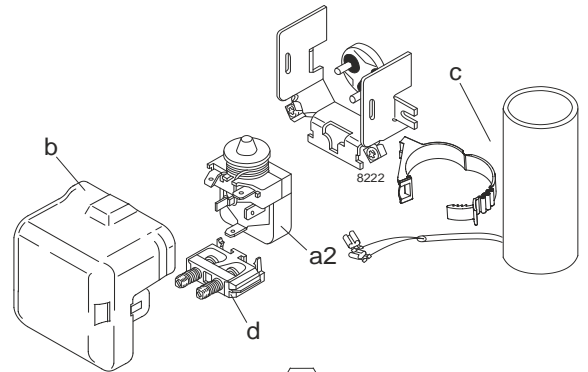
Designation	SC10G	208-230V/60Hz	Conf. 4	Sales code:	104G8000
-------------	--------------	----------------------	----------------	-------------	-----------------

Configuration

Motorconfiguration	CSIR
Power supply (nominal)	208-230V/60Hz 1~
Refrigerant	R513A
Application	LBP
Voltage range	198-253V
Starting torque	HST
Approvals	VDE CCC

Electrical accessories / wiring diagram

CSIR

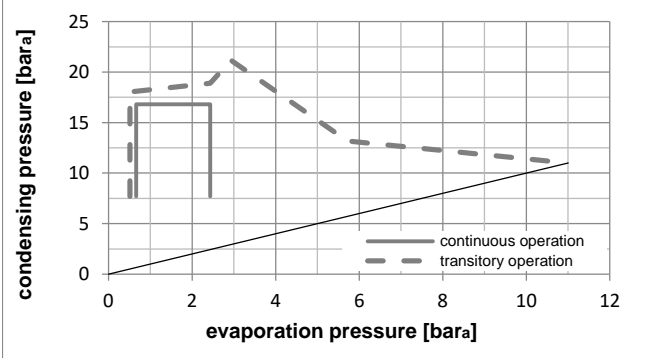
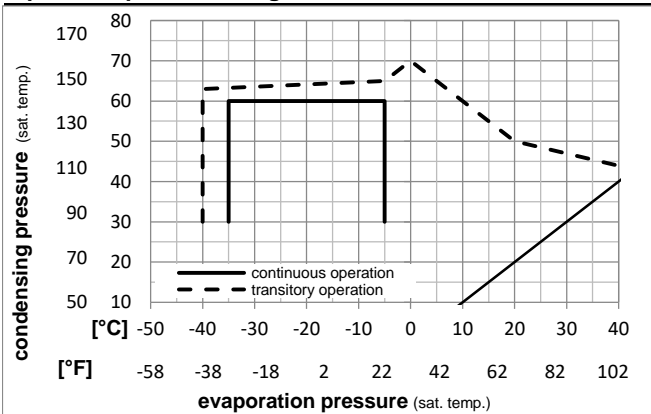


Ambient temperatures / system cooling

Ambient temperature min.:	10°C / 50°F
Ambient temperature max.:	43°C / 110°F

System cooling (n/a: outside limits)			
T ambient	LBP	MBP	HBP
32°C / 90°F	fan 3m/s	n/a	n/a
38°C / 100°F	fan 3m/s	n/a	n/a
43°C / 110°F	fan 3m/s	n/a	n/a

Operation pressure range



Components

a2	assy. relay	117U6002
c	start capacitor (80μF)	117U5017
d	cord relief	103N1004
b	plastic cover	103N2009

Model

Designation **SC10G 208-230V/60Hz** Conf. 4 Sales code: **104G8000**

Optimization + standard conditions

220V/60Hz, CSIR, fan 3m/s, VDE, CCC

Evaporating pressure (saturation temperature)					Condensing pressure (saturation temperature)						Power consumption				ASHRAE LBP	
					Return gas temp.						Current consumption					Ref. mass flow m
					Liquid temp.											
					Cooling capacity											
	pe	pc	RGT	Tliq	[W]	[Btu/h]	[kcal/h]	COP	EER	[kcal/Wh]	P1	I	m			
[°C]	[°C]	[°C]	[°C]	[°C]				[W/W]	[Btu/Wh]		[W]	[A]	[kg/h]			
[°F]	-23,3	54,4	32,2	32,2	218,7	747	188,2	0,88	3,00	0,76	249,1	1,75	4,71			
	-10	130	90	90												
[°C]	-25	55	32	55	143,8	491	123,7	0,62	2,10	0,53	233,4	1,70	3,94	cecomaf LBP		
[°F]	-13	131	89,6	131												
[°C]	-35	40	20	40	92,8	317	79,9	0,61	2,07	0,52	153,1	1,41	2,30	EN12900 LBP		
[°F]	-31	104	68	104												
[°C]	-6,66	54,4	35	46,1	607,0	2073	522,4	1,57	5,35	1,35	387,3	2,23	14,87	ASHRAE MBP		
[°F]	20	130	95	115												
[°C]	-10	55	32	55	449,1	1534	386,5	1,23	4,22	1,06	363,7	2,15	12,42	cecomaf MBP		
[°F]	14	131	89,6	131												
[°C]	-10	45	20	45	536,0	1830	461,3	1,57	5,38	1,35	340,5	2,07	14,21	EN12900 MBP		
[°F]	14	113	68	113												

Performance tables

220V/60Hz, CSIR, fan 3m/s, VDE, CCC

	pe	Cooling capacity			COP	EER	P1	I	m		
	[°C]	[°F]	[W]	[Btu/h]	[kcal/h]	[W/W]	[Btu/Wh]	[kcal/Wh]	[W]	[A]	[kg/h]
[°C / °F]	-35	-31	70,0	239	60,2	0,49	1,68	0,42	142,2	1,38	1,70
cond. pressure	-30	-22	132,3	452	113,9	0,70	2,38	0,60	190,1	1,54	3,22
pc= 45/113	-25	-13	213,0	728	183,3	0,91	3,12	0,79	233,3	1,69	5,19
return gas temp.	-23,3	-10	244,6	835	210,5	0,99	3,38	0,85	247,0	1,74	5,97
RGT= 32/90	-20	-4	311,6	1064	268,2	1,14	3,91	0,98	272,3	1,83	7,61
liquid temp	-15	5	427,6	1460	368,0	1,39	4,74	1,20	307,9	1,96	10,48
Tliq= 45/113	-5	23	709,8	2424	610,9	1,91	6,54	1,65	370,8	2,18	17,52
[°C / °F]	-35	-31	30,7	105	26,4	0,24	0,83	0,21	125,7	1,32	0,84
cond. pressure	-30	-22	77,9	266	67,0	0,43	1,46	0,37	182,0	1,52	2,13
pc= 55/131	-25	-13	143,8	491	123,7	0,62	2,10	0,53	233,4	1,70	3,94
return gas temp	-23,3	-10	170,4	582	146,6	0,68	2,33	0,59	249,8	1,75	4,67
RGT= 32/90	-20	-4	227,9	778	196,2	0,81	2,78	0,70	280,4	1,86	6,26
liquid temp	-15	5	329,9	1127	283,9	1,02	3,48	0,88	323,6	2,01	9,09
Tliq= 55/131	-5	23	585,2	1999	503,6	1,46	4,98	1,26	401,3	2,28	16,26

Model

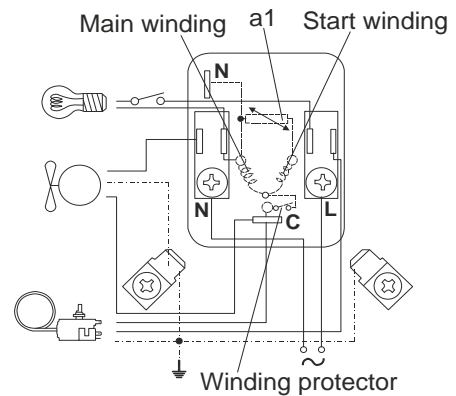
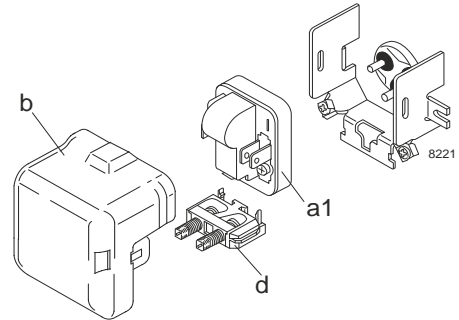
Designation	SC10G	220-240V/50Hz	Conf. 5	Sales code:	104G8000
-------------	--------------	----------------------	----------------	-------------	-----------------

Configuration

Motorconfiguration	RSIR
Power supply (nominal)	220-240V/50Hz 1~
Refrigerant	R134a
Application	LBP+MBP+HBP
Voltage range	187-254V
Starting torque	LST
Approvals	VDE CCC EAC

Electrical accessories / wiring diagram

RSIR

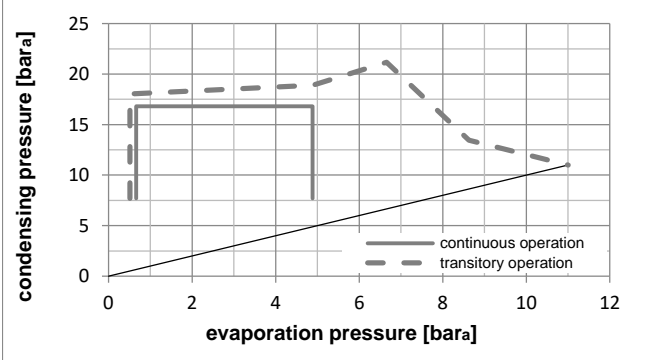
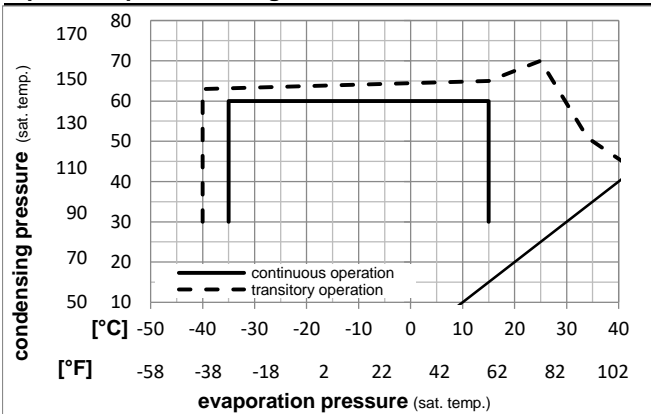


Ambient temperatures / system cooling

Ambient temperature min.:	10°C / 50°F
Ambient temperature max.:	43°C / 110°F

System cooling (n/a: outside limits)			
T ambient	LBP	MBP	HBP
32°C / 90°F	fan 3m/s	fan 3m/s	fan 3m/s
38°C / 100°F	fan 3m/s	fan 3m/s	fan 3m/s
43°C / 110°F	fan 3m/s	fan 3m/s	fan 3m/s

Operation pressure range



Components

a1	PTC starter (220V, 250hm, 6.3mm)	103N0011
d	cord relief	103N1004
b	plastic cover	103N2009

Model

Designation **SC10G 220-240V/50Hz** Conf. 5 Sales code: **104G8000**

Optimization + standard conditions

220V/50Hz, RSIR, fan 3m/s, VDE, CCC, EAC

Evaporating pressure (saturation temperature)														
Condensing pressure (saturation temperature)														
Return gas temp.														
Liquid temp.														
Cooling capacity														
COP														
EER														
Power consumption														
Current consumption														
Ref. mass flow														
	pe	pc	RGT	Tliq	[W]	[Btu/h]	[kcal/h]	[W/W]	[Btu/Wh]	[kcal/Wh]	P1	I	m	
[°C]	[°C]	[°C]	[°C]	[°C]							[W]	[A]	[kg/h]	
[°F]	-23,3	54,4	32,2	32,2	167,8	573	144,4	0,86	2,95	0,74	194,1	1,44	3,26	ASHRAE LBP
	-10	130	90	90										
[°C]	-25	55	32	55	113,2	386	97,4	0,63	2,14	0,54	181,0	1,41	2,71	cecomaf LBP
[°F]	-13	131	89,6	131										
[°C]	-35	40	20	40	71,3	244	61,4	0,61	2,07	0,52	117,6	1,33	1,56	EN12900 LBP
[°F]	-31	104	68	104										
[°C]	-6,66	54,4	35	46,1	493,8	1686	424,9	1,59	5,43	1,37	310,3	1,80	10,77	ASHRAE MBP
[°F]	20	130	95	115										
[°C]	-10	55	32	55	369,4	1262	317,9	1,27	4,35	1,10	290,0	1,72	8,93	cecomaf MBP
[°F]	14	131	89,6	131										
[°C]	-10	45	20	45	437,8	1495	376,8	1,61	5,49	1,38	272,4	1,67	10,25	EN12900 MBP
[°F]	14	113	68	113										

Performance tables

220V/50Hz, RSIR, fan 3m/s, VDE, CCC, EAC

	pe	Cooling capacity			COP	EER	P1	I	m			
		[°C]	[°F]	[W]						[Btu/h]	[kcal/h]	[W/W]
[°C / °F]	-35	-31		53,5	183	46,1	0,49	1,69	0,43	108,3	1,31	1,16
cond. pressure	-25	-13		166,6	569	143,4	0,91	3,12	0,79	182,5	1,42	3,61
pc= 45/113	-15	5		343,0	1171	295,2	1,40	4,79	1,21	244,7	1,57	7,48
return gas temp.	-10	14		454,2	1551	390,9	1,67	5,69	1,43	272,4	1,67	9,94
RGT= 32/90	0	32		721,0	2462	620,5	2,23	7,62	1,92	323,3	1,87	15,94
liquid temp	5	41		876,0	2992	753,9	2,52	8,61	2,17	347,3	1,97	19,50
Tliq= 45/113	15	59		1227,7	4193	1056,5	3,11	10,63	2,68	394,6	2,18	27,81
[°C / °F]	-35	-31		23,3	80	20,1	0,25	0,85	0,22	93,4	1,29	0,56
cond. pressure	-25	-13		113,2	386	97,4	0,63	2,14	0,54	181,0	1,41	2,71
pc= 55/131	-15	5		268,2	916	230,8	1,05	3,58	0,90	256,1	1,61	6,46
return gas temp	-10	14		369,4	1262	317,9	1,27	4,35	1,10	290,0	1,72	8,93
RGT= 32/90	0	32		617,7	2110	531,6	1,75	5,98	1,51	352,9	1,98	15,11
liquid temp	5	41		764,2	2610	657,7	2,00	6,82	1,72	382,7	2,12	18,83
Tliq= 55/131	15	59		1100,2	3757	946,8	2,49	8,52	2,15	441,2	2,40	27,63