



REFRIGERATION AND AIR CONDITIONING

Instructions

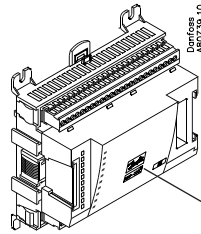
AK-XM 205B



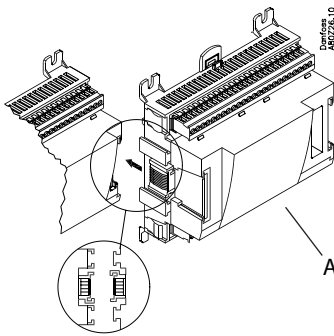
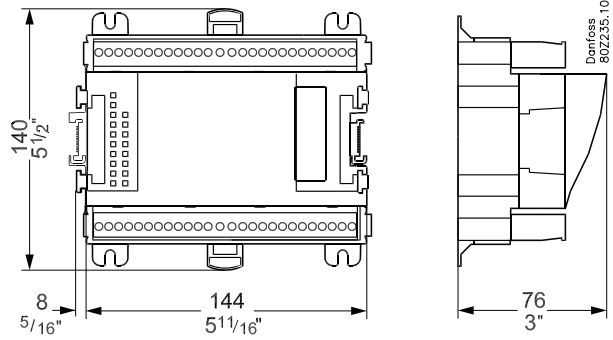
080R9218



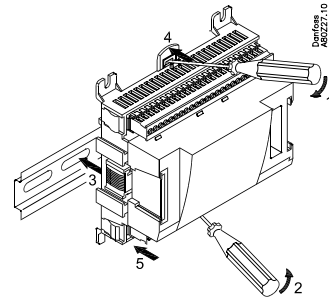
RI8HM602



080Z0017



AK-XM 205B



CE

-20°C < t_{amb} < 55°C
-0°F < t_{amb} < 130°F
0 - 95% RH, non condensing
IP10 / VBG4
UL: E357029



Warning

Ensure power is disconnected before adding or removing Modules

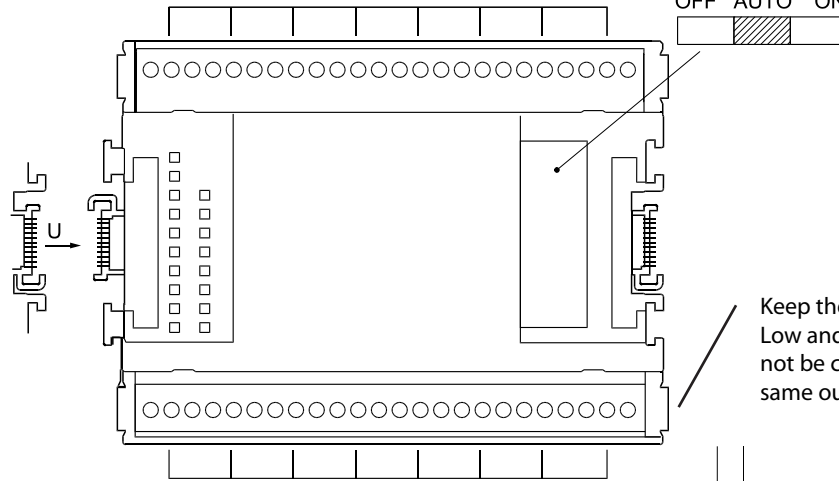
AI x 8
DO x 8

Danfoss
AB0Z40.11

AI

max. 10 V

OFF AUTO ON



Keep the safety distance
Low and high voltage must not be connected to the same output group

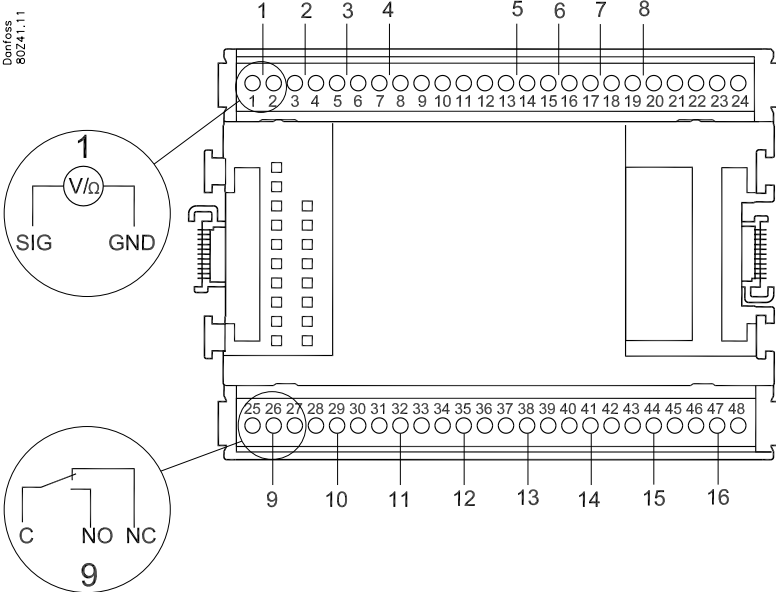
ON/OFF

SPDT

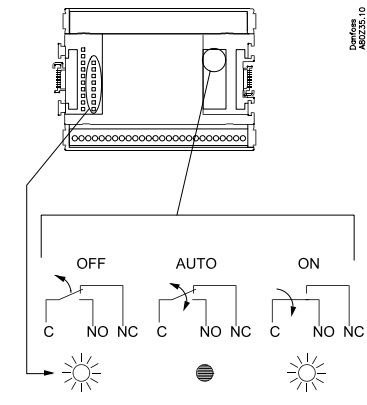
Max. 230 V
AC-1: max. 4 A (ohmic)
AC-15: max. 3 A (Inductive)

Point

Danfoss 80241.11



Override (off / Auto / on)

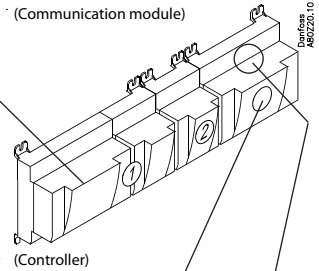
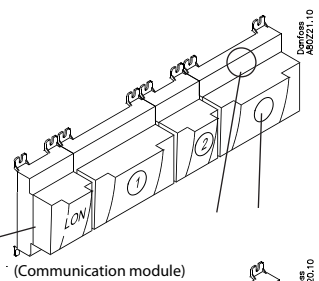
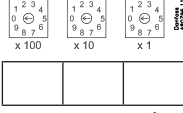


Danfoss A60235.10

Terminal 9: 12 V
 Terminal 10: 5 V
 Terminal 21: 12 V
 Terminal 22: 5 V
 Terminal 11, 12, 23, 24 : 6

	Signal	Signal type
S (sensor) Pt 1000 ohm/0°C 	S1 S2 Saux1 Saux2 SSA SdA	Pt 1000
P (pressure) AKS 32R AKS 2050 AKS 32 	POA POB PcA PcB Paux	AKS 32R AKS 2050 MBS 8250 -1 - xx bar AKS 32 -1 - zz bar
U (voltage) 	...	0 - 5 V 0 - 10 V
On/Off Ext. Main switch Day/Night Door		Active at: Closed / Open
DO 	Comp 1 Comp 2 Fan 1 Alarm	Active at: ON / OFF

Address



Signal	Signal type / Active at	Module	Point	Terminal
			1 (AI 1)	1 - 2
			2 (AI 2)	3 - 4
			3 (AI 3)	5 - 6
			4 (AI 4)	7 - 8
			5 (AI 5)	13 - 14
			6 (AI 6)	15 - 16
			7 (AI 7)	17 - 18
			8 (AI 8)	19 - 20
			9 (DO 1)	25-26-27
			10 (DO 2)	28-29-30
			11 (DO 3)	31-32-33
			12 (DO 4)	34-35-36
			13 (DO 5)	37-38-39
			14 (DO 6)	40-41-42
			15 (DO 7)	43-44-45
			16 (DO 8)	46-47-48

The Product contains electrical components
 And may not be disposed together with domestic waste.
 Equipment must be separate collected with Electrical and Electronic waste. According to Local and currently valid legislation.