

# Generator F600 SBF

## Cylinder

- Cylinder external insulation (polystyrene sheets).
- Cylinder external insulation liner (PVC sheet).
- Cylinder oil drain.
- Double wall steel cylinder (machined, polished and chromium plated).

## Base

- Connection pipe for water distribution.
- Float valve for water supply.
- Generator base lid.
- Insulated base (zinc plated, painted steel).
- Over flow + draining connection.
- Vertical water pump.
- Water flow reducer device.

## Revolving part

- Central shaft (zinc plated, painted steel) revolving between two ball bearings (zinc plated, painted steel).
- Helical reamer (zinc plated, painted steel) revolving between two ball bearings.
- Lower water collection tray (zinc plated, painted steel).
- Reamer adjuster with bolts and nuts.
- Rubber wiper to limit the sprinkling area.
- Upper water distribution tray (zinc plated, painted steel).
- Vertical deflector.
- Water distribution tray overflow.

## Drive for revolving part

- Gear reducer, motor and belt.
- Torque limiter device with manual reset.

## Refrigerating part

- Throttle valve (loose).

## Miscellaneous

- Salt dosing pump.

## Options

- *Electrical control panel.*
- *Ice level detector.*
- *Remote control.*



**FRIGOFRANCE SA. Div. GENEGLACE**

Place de la Bastille - Les Couëts  
44344 Bouguenais cedex- France

Tél. +33-(0)2-40-32-06-06 Fax +33-(0)2-40-65-04-88

**Scope of our supply**

**Generator F600 SBF**

Series 01/01/2001 **INDUSTRIAL LAND-BASED**

Edition date 01/08/01

**GTL.001A**

# Generator F600 SBF

## Operating conditions

Refrigerant	Refrigerant charge (approx.)	Reamer speed	Water T°	Daily ice production	Ice thickness	Evap. T°	Refrigerating capacity	Max cond. T°
	kg	tr/h	°C	kg/24h	mm	°C	kW	°C
R22/R404a	60,0	74	15	11000	2,5	-24,5	55	
R22/R404a	60,0	93	15	12000	2,2	-24,5	60	
R22/R404a	60,0	113	15	12500	2,0	-24,5	62,5	
R22/R404a	60,0	132	15	13000	1,6	-23,0	65	

## Refrigerant inlet

-Generator used with pumped refrigerant.

## Electrical connections

Qty.	Description	Power supply	Nominal power	Amperage
1 x	Reamer motor	400V/3/50Hz	1 x 250 W	1 x 0,95 A
2 x	Pump	230V/1/50Hz	2 x 70 W	2 x 0,35 A
1 x	Salt dosing pump	230V/1/50Hz	1 x 50 W	1 x 0,4 A

## Overall dimensions

Length	1050 mm
Width	1050 mm
Height	1800 mm
Net weight	850 kg

## Options

- Electrical control panel.*
- Ice level detector.*
- Remote control.*



**FRIGOFRANCE SA. Div. GENEGLACE**

Place de la Bastille - Les Couëts  
44344 Bouguenais cedex- France

Tél. +33-(0)2-40-32-06-06 Fax +33-(0)2-40-65-04-88

**Specifications**

**Generator F600 SBF**

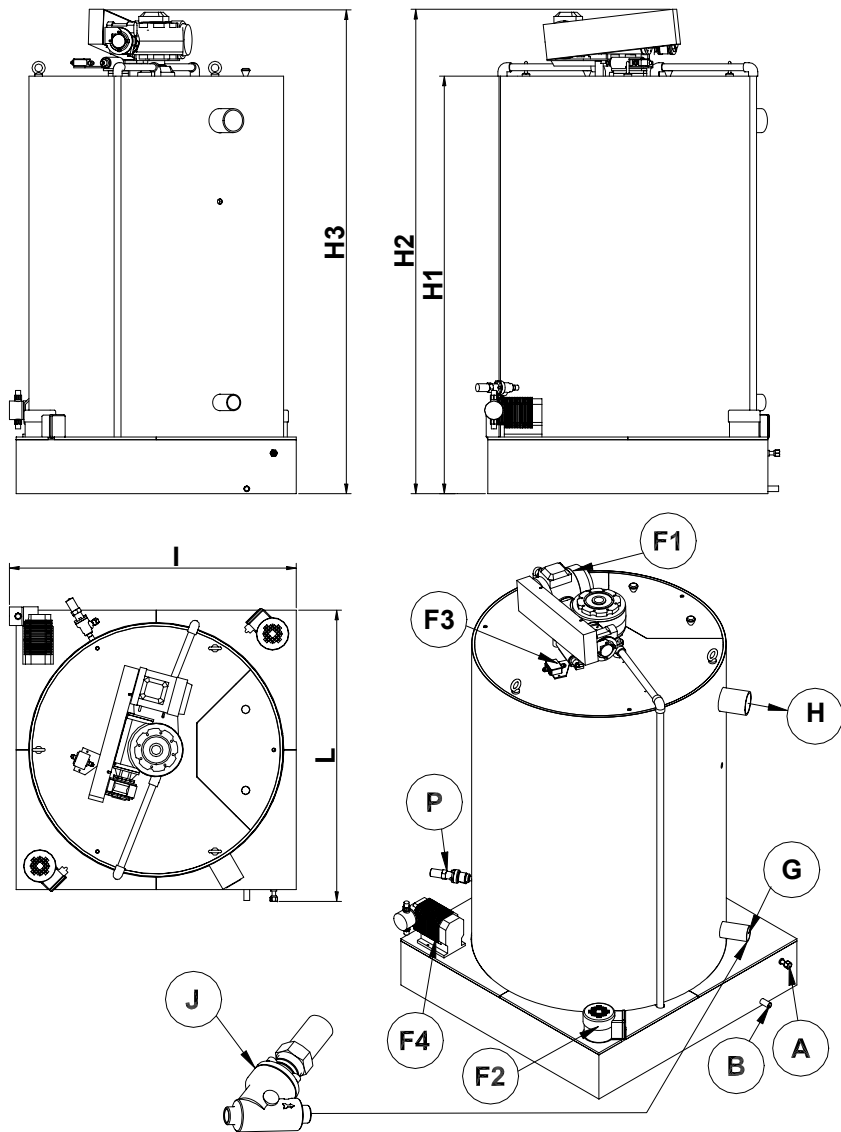
Series 01/01/2001 **INDUSTRIAL LAND-BASED**

Edition date 01/08/01

**GTD.001A**

*FRIGOFRANCE may change this document without prior notice.*

# Generator F600 SBF



Minimal clearance for disassembly: See Installation and handling section

Dimensions	
H1	1550
H2	1800
H3	1800
I	1050
L	1050

Dimensions in mm



FRIGOFRANCE SA. Div. GENEGLACE

Place de la Bastille - Les Couëts  
44344 Bouguenais cedex- France

Tél. +33-(0)2-40-32-06-06 Fax +33-(0)2-40-65-04-88

FRIGOFRANCE may change this document without prior notice.

## Hydraulic connections

Max. water flow 590 l/h Water pressure 2,0 - 4,0 bar

Item	Description	Qty.	Connections		
			Dimensions	Type	Material
A	Generator water supply	1	1/2 "	Flare nut	Brass
B	Overflow + water drain	1	21,3 x 2,6 mm	Plain Ends	Steel

## Refrigerating connections

Maximum working pressure 13,0 bar

Item	Description	Qty.	Connections		
			Dimensions	Type	Material
G	Liquid inlet	1	60,3 x 3,9 mm	Plain Ends	Steel
H	Suction	1	88,9 x 5,49 mm	Plain Ends	Steel
P	Oil drain	1	3/8 "	O.D.F.- G	Stainless Steel

## Electrical connections

Item	Description	Qty.	Power supply	Nominal power (W)	Nominal amperage
F1	Reamer motor	1	400V/3/50Hz	1 x 250 W	1 x 0,95 A
F2	Pump	2	230V/1/50Hz	2 x 70 W	2 x 0,35 A
F3	Torque limiter switch	1			
F4	Salt dosing pump	1	230V/1/50Hz	1 x 50 W	1 x 0,4 A

## Other specifications

Dimensions				Item			
Dimensions		Overall	Open crate	Full crate	Item	Description	Qty.
Length	mm	1050	1300	1400	J	Liquid inlet throttle valve	1
Width	mm	1050	1300	1400			
Height	mm	1800	2000	2100			
Volume	m3	1,98	3,38	4,12			
Net weight	kg	850,00	850,00	850,00			
Gross weight	kg	850,00	1030,00	1070,00			

## Dimensions and connections

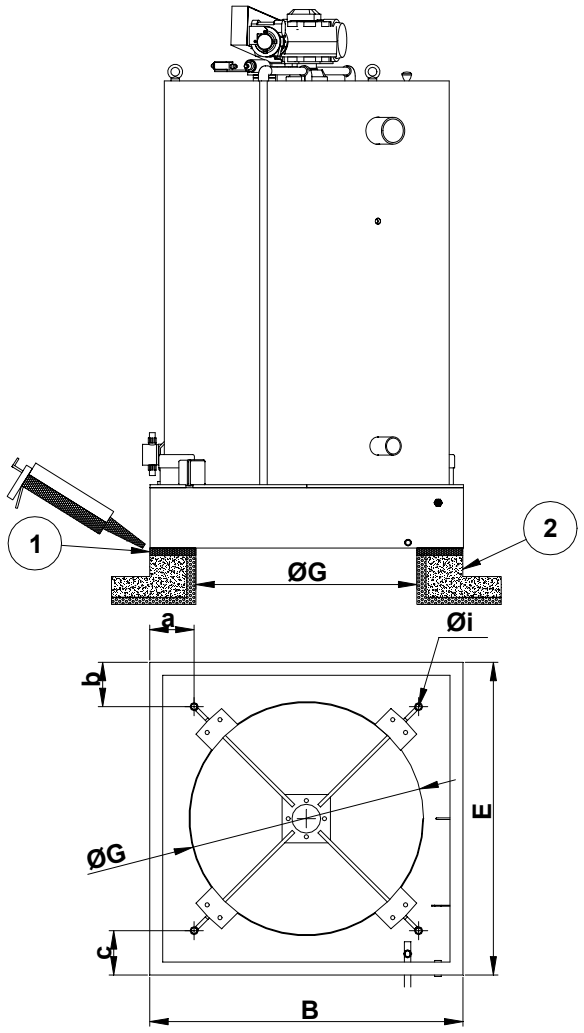
GTE.001A

### Generator F600 SBF

Series 01/01/2001 INDUSTRIAL LAND-BASED

Edition date 01/08/01

# Generator F600 SBF

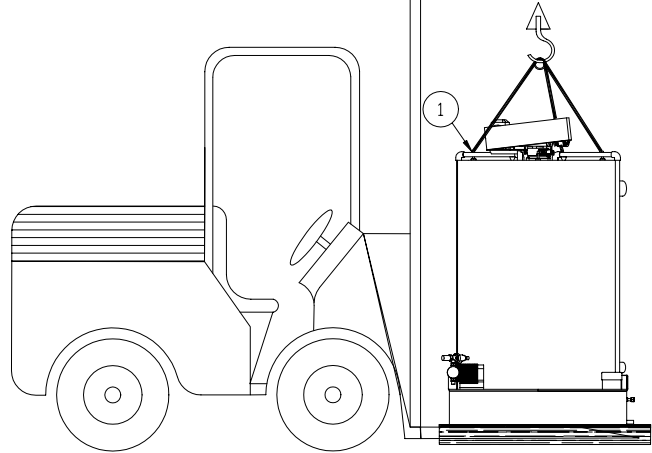


- 1 Tightness seal around the boring
- 2 Raising of the floor to avoid accidental water leaks in the storage
- D1 Minimum clearance for reducer removal
- D2 Minimum clearance for reamer removal

## Handling

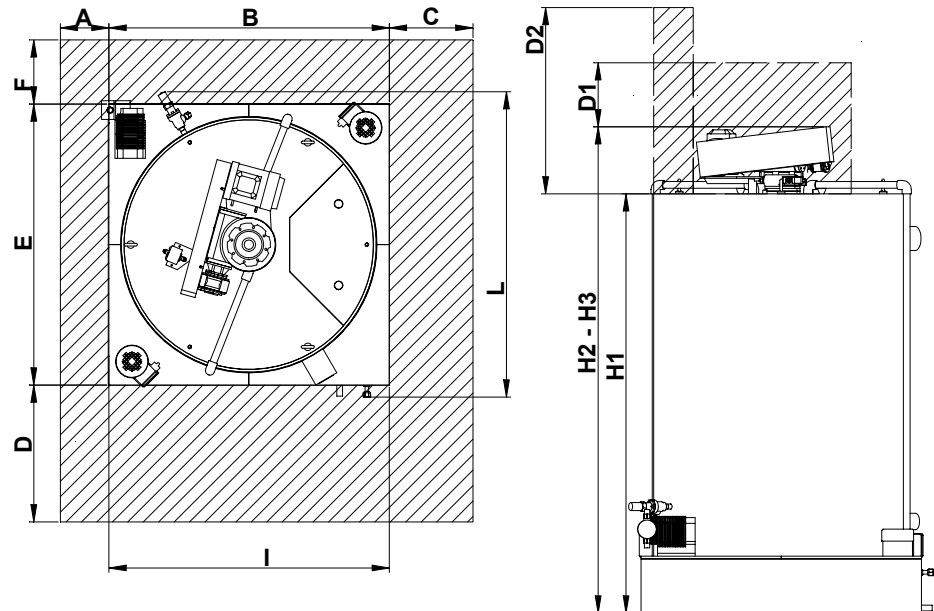
(Net weight 850 kg)

1 Three lifting eyes



## Minimum clearance for service

We advise to foresee enough space around the ice maker for its inspection and maintenance.



A	500	F	500	a	147
B	1040	G	780	b	147
C	500	H1	1550	c	147
D	1700	H2	1800	i	20
D1	300	H3	1800		
D2	1360	I	1050		
E	1040	L	1050		



**FRIGOFRANCE SA. Div. GENEGLACE**

Place de la Bastille - Les Couëts  
44344 Bouguenais cedex- France

Tél. +33-(0)2-40-32-06-06 Fax +33-(0)2-40-65-04-88

FRIGOFRANCE may change this document without prior notice.

**Installation and handling**

**GTI.001A**

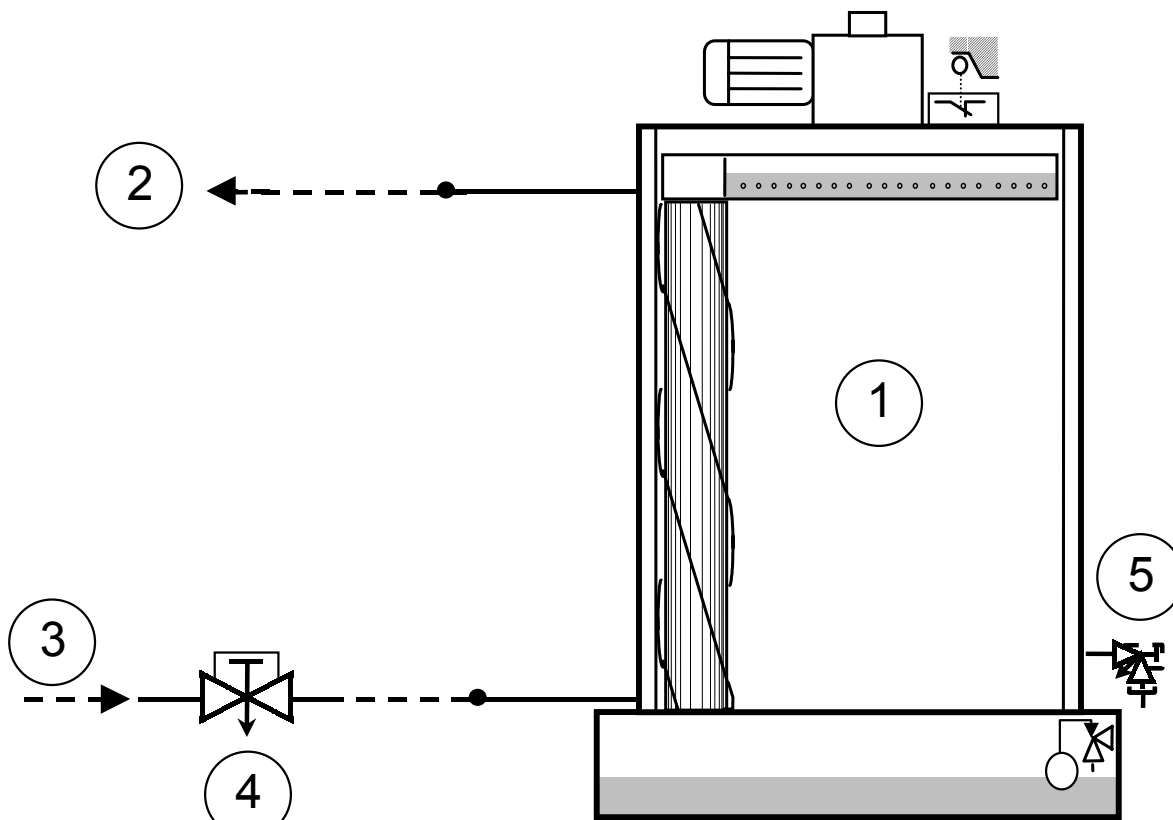
**Generator F600 SBF**

Series 01/01/2001 INDUSTRIAL LAND-BASED

Edition date 14/01/2002

Dimensions in mm

# Generator F600 SBF



- / Generator used with pumped refrigerant







1 / Generator

2 / Refrigerant outlet

3 / HP liquid inlet

4 / Throttle valve (loose)

5 / Oil drain

	Refrigerating connection made
	To be performed on site
	Weld
	Flare connection
	Screw connection
	Flange connection



**FRIGOFRANCE SA. Div. GENEGLACE**

Place de la Bastille - Les Couëts  
44344 Bouguenais cedex- France

Tél. +33-(0)2-40-32-06-06 Fax +33-(0)2-40-65-04-88

**Refrigerating sketch**

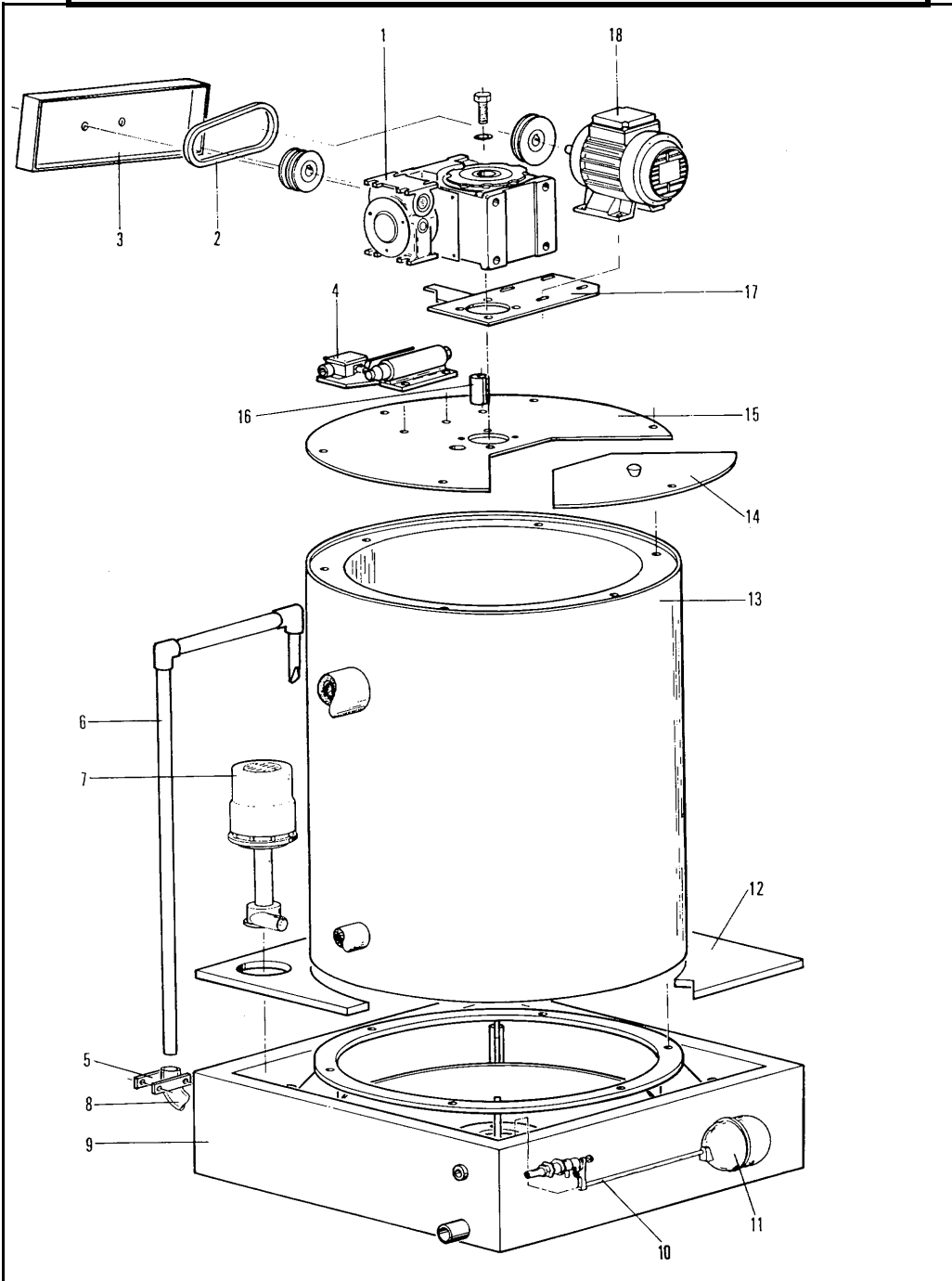
**Generator F600 SBF**

Series 01/01/2001 INDUSTRIAL LAND-BASED

Edition date 01/08/01

**GTF.001A**

# Generator F600 SBF



Item	Description	FF. Code	Qty.	Note(s)
01	Gear reducer	02859958	1	A
02	Belt		1	B
03	Belt protection (two parted)	11936046	1	
04	Torque limiter	11802026	1	
05	Water flow adjustment device	02931016	2	
06	Water inlet pipe	22932060	2	D
07	Pump	02230203	2	C
08	Connection 20x25	22932060	2	D
09	Base	11932009	1	
10	Water float valve	22803013	1	D
11	Water float ball	22803013	1	D
12	Generator base lid (4-parted)	02932071	1	
13	Cylinder	11913600	1	
14	Inspection hatch	11932016	2	
15	Machine lid	11932016	1	
16	Torque limiter stop	11802022	1	
17	Motor and reducer support	11936042	1	
18	Reducer motor		1	C

## Note(s)

- A Specify the machine serial number
- B Pulley and belt according to reamer speeds: Specify machine serial number
- C Specify the voltage and the frequency
- D Makes part of n° set FF code

**FRIGOFRANCE SA. Div. GENEGLACE**

Place de la Bastille - Les Couëts  
44344 Bouguenais cedex- France

Tél. +33-(0)2-40-32-06-06

Fax +33-(0)2-40-65-04-88



**Exploded view**

**Generator F600 SBF**

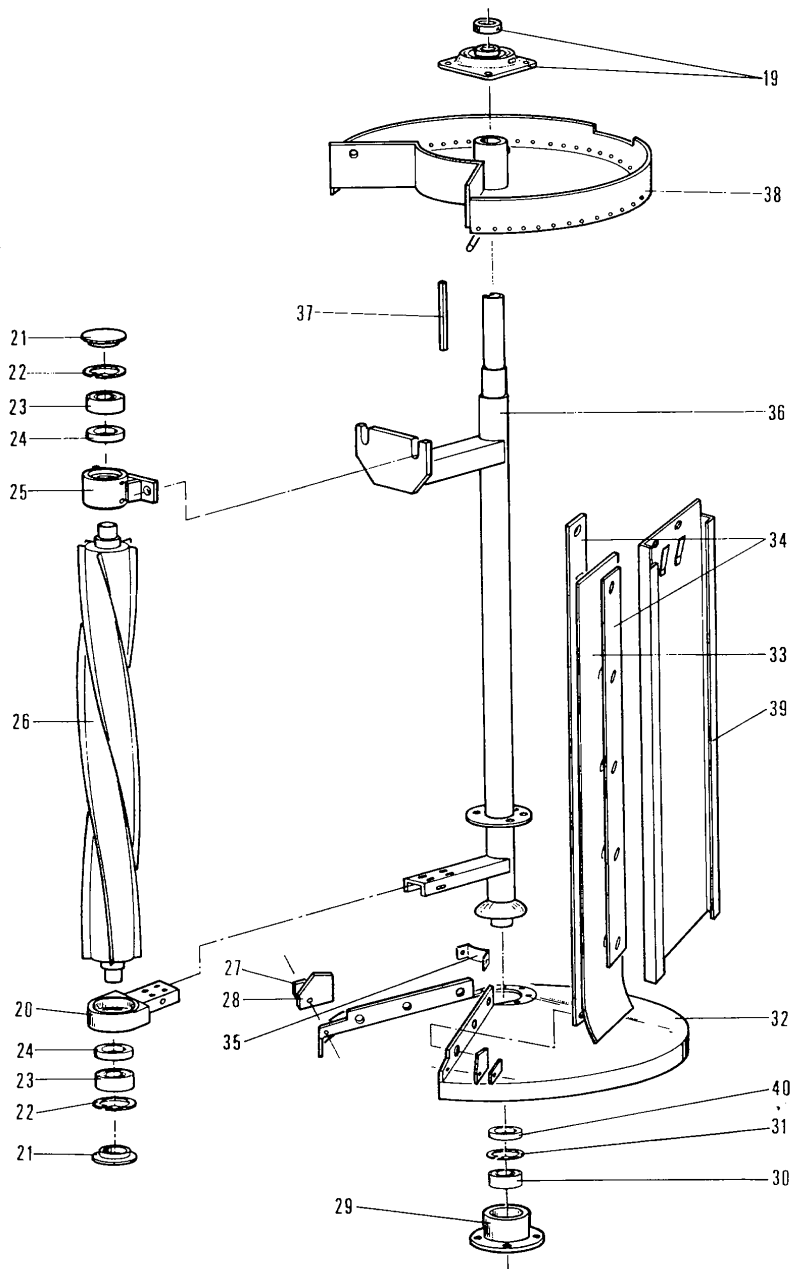
Series 01/01/2001 INDUSTRIAL LAND-BASED

Edition date 01/08/01

**GTV.001A**

FRIGOFRANCE may change this document without prior notice.

# Generator F600 SBF



Item	Description	FF. Code	Qty.	Note(s)
19	Upper shaft bearing	22800055	1	E
20	Lower reamer bearing body	11932052	1	
21	Reamer bearing cover	22800060	2	E
22	Snap ring	22800060	2	E
23	Reamer bearing	22800060	2	E
24	Seal	22800060	2	E
25	Reamer bearing body	11801087	2	
26	Reamer	11801082	1	
27	Complementary wiper fixation		2	
28	Complementary rubber wiper	02936030	2	E
29	Lower shaft bearing body	11932052	1	
30	Lower shaft bearing	22800055	1	E
31	Snap ring I72	22800055	1	E
32	Water collection tray	11932039	1	
33	Rubber wiper	02936030	2	E
34a	Forward wiper support	11936008	2	
34b	Rear wiper support	11936013	2	
35	Collection deflector	11932042	1	
36	Main shaft	11932002	1	
37	Drive key	11932002	1	
38	Water distribution tray	11932036	1	
39	Forward and rear lateral deflector	02932043	1	
40	Tightness seal	22800055	1	E

### Note(s)

E Makes part of n° set FF code

**FRIGOFRANCE SA. Div. GENEGLACE**  
 Place de la Bastille - Les Couëts  
 44344 Bouguenais cedex- France  
 Tél. +33-(0)2-40-32-06-06  
 Fax +33-(0)2-40-65-04-88



**Exploded view**  
**Generator F600 SBF**

Series 01/01/2001 INDUSTRIAL LAND-BASED

Edition date 01/08/01

**GTV.001A**

FRIGOFRANCE may change this document without prior notice.