

Installation Guide

Stepper output module
Type **AK-XM 208C**



080R9299



AN055886442238en-000801

080Z0023

Info for Centralized (Rack) control

- AK-XM 208C opens and closes opposite to how AK-XM 208B
- Ensure AK-XM 208C has a dedicated line up (Comm module + 208C only). No other modules to be added to AK-XM 208C.

AK-XM 208C

CE

-20 °C < t_{amb} < 55 °C
-0 °F < t_{amb} < 130 °F
0 – 95% RH, non condensing
IP10 / VBG4
Controller supply = 5 VA
Valve supply = 7.8 VA + valves.
Class II construction

UL Listed
4VR5
UL file: E357029
Class 2 or LPS in accordance with NEC.
For supply connections, use 16 AWG or larger wires rated for at least 90 °C (194 °F).
Use copper conductors only.

Warning

Ensure power is disconnected before adding or removing Modules

**4 x stepper valve output
8 x AI**

The terminals "+" and "-" must **not** be earthed.

Separate power supply to AK-XM 208C:
24 V AC / AC +/- 20%
xx VA
xx = Eg: 7.8 + (4 x 1.3) = 13 VA ⇒ AK-PS 075
xx = Eg: 7.8 + (4 x 5.1) = 28.2 VA ⇒ AK-PS 150

AI Max. 10 V

Valve data	
Type	P
ETS 12.5 - ETS 400	1.3 VA
KVS 15 - KVS 42	
CCMT 2 - CCMT 8	
CCM 10 - CCM 40	
CTR 20	
CCMT 16 - CCMT 42	5.1 VA

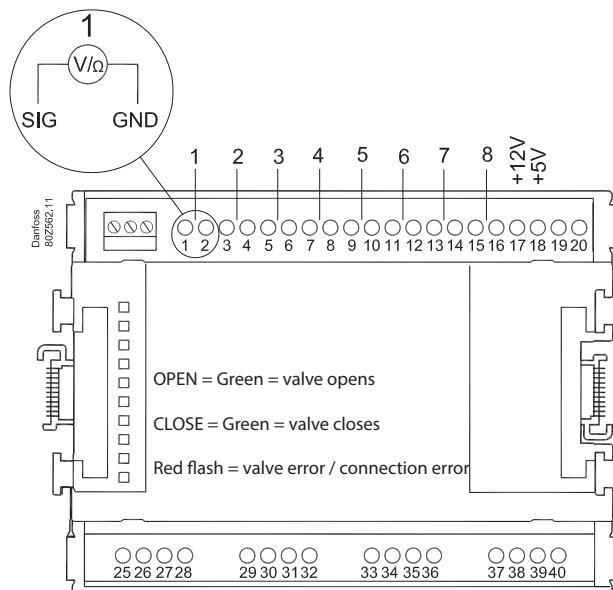
L = max. 30 m. (Filter AKA 211 must not be used.)

Output:
24 V d.c.
20-500 step/s
I_{max} = 325 mA RMS / valve
Σ P_{out} = max. 21 VA

ETS/KVS/CCMT

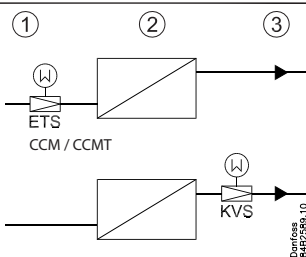
The connection to the valve must not be broken using a relay

Point



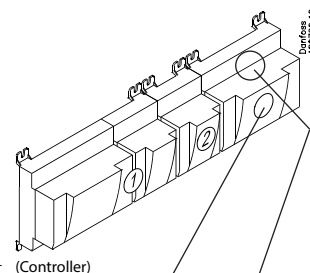
Terminal 17: 12 V
Terminal 18: 5 V
Terminal 19,20:

The screen on the pressure transmitter cables must only be connected at the end of the module.

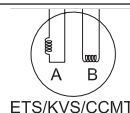


Step / Terminal	1	25	26	27	28
	2	29	30	31	32
3	33	34	35	36	
4	37	38	39	40	
ETS					
CCM / CCMT					
CTR	White	Black	Red	Green	
KVS 15					
KVS 42-54					

	Signal	Signal type
S (sensor) Pt 1000 ohm/0°C 	S1 S2 Saux1 Saux2 SSA SdA	Pt 1000
P (pressure) AKS 32R AKS 2050 AKS 32 	POA POB PcA PcB Paux	AKS 32R AKS 2050 -1 - xx bar AKS 32 -1 - zz bar
U (voltage) 	...	0 - 5 V 0 - 10 V
On/Off 	Ext. Main switch Day/Night Door	Active at: Closed / Open



Signal	Signal type / Active at	Module	Point	Terminal
			1 (AI 1)	1 - 2
			2 (AI 2)	3 - 4
			3 (AI 3)	5 - 6
			4 (AI 4)	7 - 8
			5 (AI 5)	9 - 10
			6 (AI 6)	11 - 12
			7 (AI 7)	13 - 14
			8 (AI 8)	15 - 16
	Valve			
			9 (Step 1)	25 - 28
			10 (Step 2)	29 - 32
			11 (Step 3)	33 - 36
			12 (Step 4)	37 - 40



The Product contains electrical components and may not be disposed together with domestic waste. Equipment must be separated with Electrical and Electronic waste. According to Local and currently valid legislation.



ADAP-KOOL®