

Data Sheet

Strainers Type **FA**

Strainer type FA with interchangeable filter insert



Strainer type FA with interchangeable filter insert is used in lines carrying fluorinated refrigerants, ammonia, water, brine, oil, and gas.

Features:

- Retains contaminants, e.g. slag, and weld beads and swarf
- Pressure drop insignificant
- Classification: DNV, CRN, BV, EAC etc. To get an updated list of certification on the products please contact your local Danfoss Sales Company.

Media

New refrigerants

Danfoss products are continually evaluated for use with new refrigerants depending on market requirements.

When a refrigerant is approved for use by Danfoss, it is added to the relevant portfolio, and the R number of the refrigerant (e.g. R513A) will be added to the technical data of the code number. Therefore, products for specific refrigerants are best checked at store.danfoss.com/en/, or by contacting your local Danfoss representative.

Product specification

Pressure and temperature data

Table 1: Pressure and temperature data

| Description | Values |
|-----------------------|--|
| Temperature of media | -50 °C – 140 °C |
| Max. working pressure | PS = 28 bar |
| Max. test pressure | p' = 42 bar |
| Filter insert | Stainless steel weave, mesh size 150µ (100 mesh) |

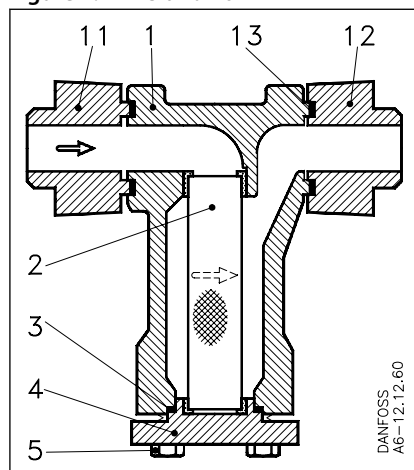
Design

Materials

- Gaskets are non asbestos
- Valve housing made of GGG - 40.3

Material specification

Figure 1: FA 15 and 20



| | |
|-----|------------------|
| 1. | Strainer housing |
| 2. | Strainer |
| 3. | Gasket |
| 4. | Cover |
| 5. | Screw |
| 11. | Flange (tongue) |
| 12. | Flange (groove) |
| 13. | Flange gasket |
| 14. | Flange screw |

Dimensions and weights

Figure 2: FA 15 and 20

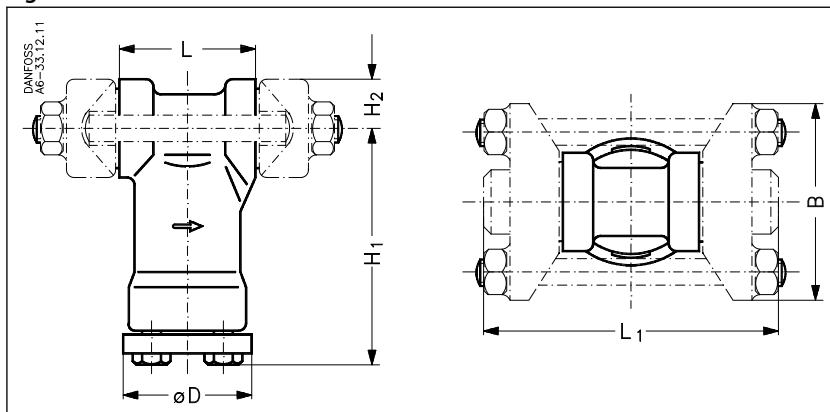
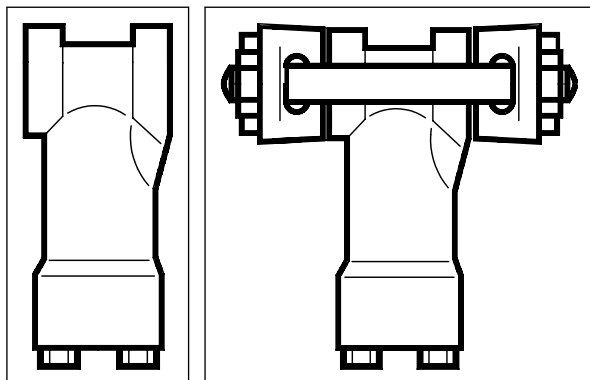


Table 2: Dimensions and weights

| Type | Code no. | H ₁ | H ₂ | L | Weld flanges L ₁ | Solder flanges L ₁ | B | ∅D | Weight |
|-------|---------------------|----------------|----------------|----|-----------------------------|-------------------------------|----|----|--------|
| | | mm | mm | mm | mm | mm | mm | mm | kg |
| FA 15 | 006-0040 → 006-0043 | 95 | 20 | 54 | | | | 51 | 1.2 |
| FA 15 | 006-0050 → 006-0058 | 95 | 20 | | 116 | 109 | 80 | 51 | 1.7 |
| FA 20 | 006-0046 → 006-0048 | 106 | 26 | 72 | | | | 60 | 2.2 |
| FA 20 | 006-0065 → 006-0074 | 106 | 26 | | 142 | 137 | 96 | 60 | 2.9 |

Ordering


Table 3: Ordering Complete valves

| Type | Application | Connection to valve or pipeline | Strainer area | Strainer vol. | k_v value ⁽¹⁾ | Staybolts | Code no. |
|-------|-----------------------------|---------------------------------|-----------------|-----------------|----------------------------|-----------|--------------------------------|
| | | | cm ² | cm ³ | m ³ /h | | |
| FA 15 | For direct fitting on valve | 6 F, TE 12, CVM | 40 | 68 | 3.3 | M12 × 180 | 006-0040 ⁽²⁾ |
| | | TEA 20, TEAT 20, TEVA 20 | 40 | 68 | 3.3 | M12 × 170 | 006-0042 ⁽²⁾ |
| | | EVR 15, EVRA 3 | 40 | 68 | 3.3 | M12 × 188 | 006-0043 ⁽²⁾ |
| | | EVRA/T 10-15 | 40 | 68 | 3.3 | M12 × 107 | 006-1012 ⁽²⁾ |
| FA 20 | For direct fitting on valve | EVR 20 | 60 | 145 | 7 | M12 × 240 | 006-0046 ⁽²⁾ |
| | | TEA 85, TEAT 85, TEVA 85 | 60 | 145 | 7 | M12 × 206 | 006-0048 ⁽²⁾ |
| | | EVRA/T 20 | 60 | 145 | 7 | M12 × 127 | 006-1013 ⁽²⁾ |
| FA 15 | For fitting in pipelines | ¼ in. weld flanges | 40 | 68 | 1.9 | M12 × 127 | 006-0050 ⁽³⁾ |
| | | ⅜ in. weld flanges | 40 | 68 | 2.6 | M12 × 127 | 006-0051 ⁽³⁾ |
| | | ½ in. weld flanges | 40 | 68 | 3.5 | M12 × 127 | 006-0052 ⁽³⁾ |
| | | ¾ in. weld flanges | 40 | 68 | 3.5 | M12 × 127 | 006-0053 ⁽³⁾ |
| | | ½ in. solder flanges | 40 | 68 | 2.6 | M12 × 127 | 006-0057 ⁽³⁾ |
| | | ⅝ in. solder flanges | 40 | 68 | 3.4 | M12 × 127 | 006-0058 ⁽³⁾ |
| | | ¾ in. solder flanges | 40 | 68 | 3.2 | M12 × 127 | 006-0059 ⁽³⁾ |
| | | 7/8 in. solder flanges | 40 | 68 | 3.5 | M12 × 127 | 006-0075 ⁽³⁾ |
| FA 20 | For fitting in pipelines | 1 in. solder flanges | 40 | 68 | 3.5 | M12 × 127 | 006-0060 ⁽³⁾ |
| | | ½ in. weld flanges | 60 | 145 | 5.1 | M12 × 160 | 006-0065 ⁽³⁾ |
| | | ¾ in. weld flanges | 60 | 145 | 7.4 | M12 × 160 | 006-0066 ⁽³⁾ |
| | | 1 in. weld flanges | 60 | 145 | 7.4 | M12 × 160 | 006-0067 ⁽³⁾ |
| | | ⅝ in. solder flanges | 60 | 145 | 5.1 | M12 × 160 | 006-0071 ⁽³⁾ |
| | | 1 1/8 in. solder flanges | 60 | 145 | 7.3 | M12 × 160 | 006-0074 ⁽³⁾ |

⁽¹⁾ The k_v value is the flow of water in m³/h at a pressure drop in the strainer of 1 bar, $\rho = 1000 \text{ kg/m}^3$.

⁽²⁾ Code no. with bolts, screws and gaskets but without flanges

⁽³⁾ Code no. with flanges, bolts, screws and gaskets.

Accessories

Table 4: Strainer housing without flanges

| Type | Strainer area | Strainer volume | k_v value ⁽¹⁾ | Code no. |
|-------|-----------------|-----------------|----------------------------|--------------------------------|
| | cm ² | cm ³ | m ³ /h | |
| FA 15 | 40 | 68 | 3.3 | 036-0060 |
| FA 20 | 60 | 145 | 7 | 036-0061 ⁽²⁾ |
| FA 20 | 60 | 145 | 7 | 036-0062 ⁽³⁾ |

⁽¹⁾ The k_v value is the flow of water in m³/h at a pressure drop in the strainer of 1 bar, $\rho = 1000 \text{ kg/m}^3$.

⁽²⁾ For direct fitting in pipeline.

⁽³⁾ For direct fitting on to valves.

Strainers, Type FA

Table 5: Single flanges with flange gaskets for FA 15

| Version | Type | Code no. |
|----------------|------|----------|
| 3/8 in. weld | T | 006-1120 |
| | G | 006-1121 |
| 1/2 in. weld | T | 006-1122 |
| | G | 006-1123 |
| 3/4 in. weld | T | 006-1124 |
| | G | 006-1125 |
| 5/8 in. solder | T | 006-1162 |
| | G | 006-1163 |
| 7/8 in. solder | T | 006-1176 |
| | G | 006-1177 |

Table 6: Staybolt set with gaskets

| Version | Code no. |
|--------------|----------|
| M12 × 107 mm | 006-1101 |
| M12 × 127 mm | 006-1108 |
| M12 × 160 mm | 006-1136 |
| M12 × 170 mm | 006-1103 |
| M12 × 180 mm | 006-1102 |
| M12 × 188 mm | 006-1104 |
| M12 × 206 mm | 006-1106 |
| M12 × 240 mm | 006-1105 |

Table 7: Single flanges with flange gaskets for FA 20 ¹⁾

| Version | Type | Code no. |
|------------------|------|----------|
| 3/4 in. weld | T | 006-1128 |
| | G | 006-1129 |
| 1 in. weld | T | 006-1130 |
| | G | 006-1131 |
| 1 1/8 in. solder | T | 006-1174 |
| | G | 006-1175 |

⁽¹⁾ Only for code no. **036-0061**.

Certificates, declarations, and approvals

The list contains all certificates, declarations, and approvals for this product type. Individual code number may have some or all of these approvals, and certain local approvals may not appear on the list.

Some approvals may change over time. You can check the most current status at danfoss.com or contact your local Danfoss representative if you have any questions.

Table 8: Valid approvals

| File name | Document type | Document topic | Approval authority |
|-------------------------------|-------------------------------|-----------------------|--------------------|
| EAC RU Д-ДК.БЛ08.В.00828_19 | EAC Declaration | Machinery & Equipment | EAC |
| 033F0691.AE | Manufacturers Declaration | RoHS | |
| 033F0686.AH | Manufacturers Declaration | PED | |
| TSSA CRN.0E14028.523467890YTN | Pressure - Safety Certificate | | TSSA CRN |
| RMRS 19.10048.266 | Marine - Safety Certificate | RMRS | |

Online support

Danfoss offers a wide range of support along with our products, including digital product information, software, mobile apps, and expert guidance. See the possibilities below.

The Danfoss Product Store



The Danfoss Product Store is your one-stop shop for everything product related—no matter where you are in the world or what area of the cooling industry you work in. Get quick access to essential information like product specs, code numbers, technical documentation, certifications, accessories, and more.

Start browsing at store.danfoss.com.

Find technical documentation



Find the technical documentation you need to get your project up and running. Get direct access to our official collection of data sheets, certificates and declarations, manuals and guides, 3D models and drawings, case stories, brochures, and much more.

Start searching now at www.danfoss.com/en/service-and-support/documentation.

Danfoss Learning



Danfoss Learning is a free online learning platform. It features courses and materials specifically designed to help engineers, installers, service technicians, and wholesalers better understand the products, applications, industry topics, and trends that will help you do your job better.

Create your Danfoss Learning account for free at www.danfoss.com/en/service-and-support/learning.

Get local information and support



Local Danfoss websites are the main sources for help and information about our company and products. Find product availability, get the latest regional news, or connect with a nearby expert—all in your own language.

Find your local Danfoss website here: www.danfoss.com/en/choose-region.

Spare Parts



Get access to the Danfoss spare parts and service kit catalog right from your smartphone. The app contains a wide range of components for air conditioning and refrigeration applications, such as valves, strainers, pressure switches, and sensors.

Download the Spare Parts app for free at www.danfoss.com/en/service-and-support/downloads.

Coolselector®2 - find the best components for you HVAC/R system



Coolselector®2 makes it easy for engineers, consultants, and designers to find and order the best components for refrigeration and air conditioning systems. Run calculations based on your operating conditions and then choose the best setup for your system design.

Download Coolselector®2 for free at coolselector.danfoss.com.

Danfoss A/S

Climate Solutions • danfoss.com • +45 7488 2222

Any information, including, but not limited to information on selection of product, its application or use, product design, weight, dimensions, capacity or any other technical data in product manuals, catalogues descriptions, advertisements, etc. and whether made available in writing, orally, electronically, online or via download, shall be considered informative, and is only binding if and to the extent, explicit reference is made in a quotation or order confirmation. Danfoss cannot accept any responsibility for possible errors in catalogues, brochures, videos and other material. Danfoss reserves the right to alter its products without notice. This also applies to products ordered but not delivered provided that such alterations can be made without changes to form, fit or function of the product.

All trademarks in this material are property of Danfoss A/S or Danfoss group companies. Danfoss and the Danfoss logo are trademarks of Danfoss A/S. All rights reserved.