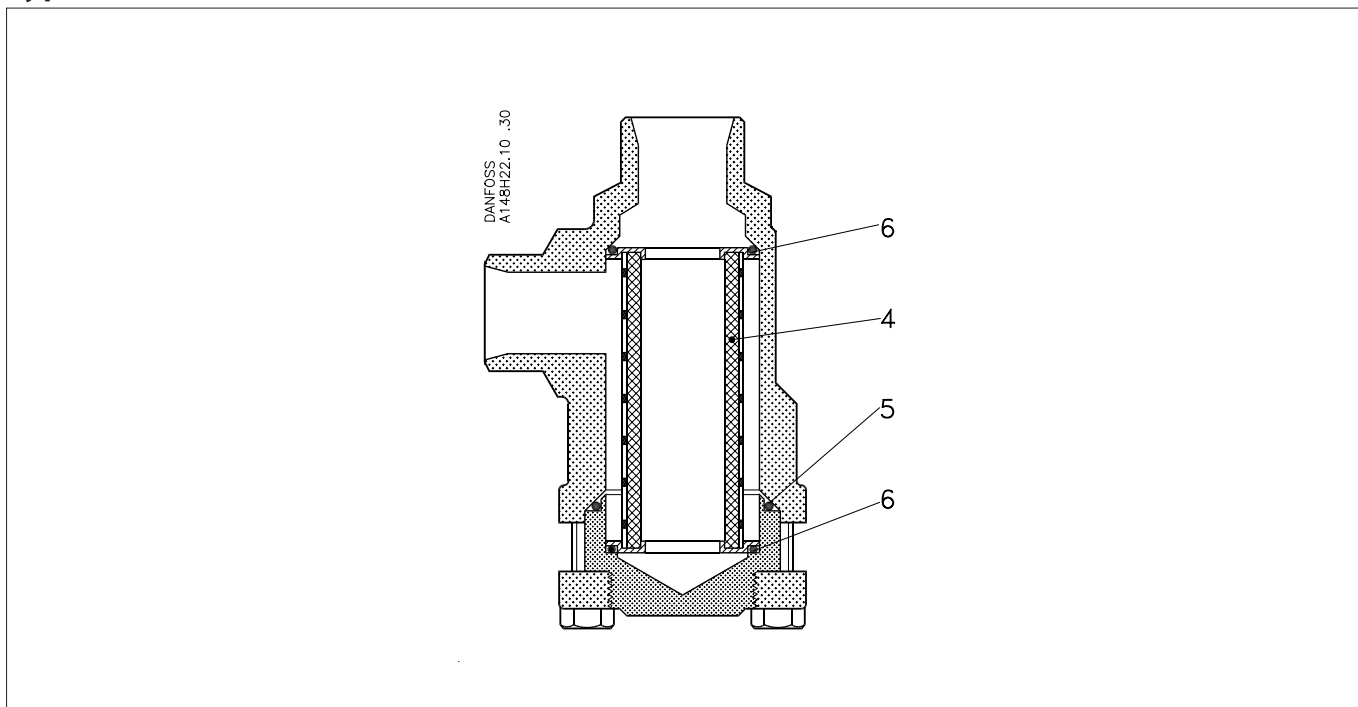


Data sheet – Spare parts and accessories

**Filter**

**Type FIL 10-40 (3/8- 1 1/2 in.) XX0-XX1-XX2-XX3**



Description	Size	Pos. #	Qty.	Code no.
<b>Repair kit, complete set of gaskets</b>				
O-ring for housing/bonnet	Medium (10-20)	5	1	<b>2453+028</b>
O-rings for filter	Medium (10-20)	6	1	
O-ring for housing/bonnet	Large (25-40)	5	1	<b>2453+029</b>
O-rings for filter	Large (25-40)	6	1	

Description	Size	Pos. #	Qty.	Code no.
<b>Filter element</b>				
Filter element 150 µm, type XX1	Medium (10-20)	4	1	<b>148H3002</b>
Filter element 150 µm, type XX1	Large (25-40)	4	1	<b>148H3003</b>
Filter element 250 µm, type XX2	Medium (10-20)	4	1	<b>148H3004</b>
Filter element 250 µm, type XX2	Large (25-40)	4	1	<b>148H3005</b>
Filter element 500 µm, type XX3	Large (25-40)	4	1	<b>148H3007</b>