

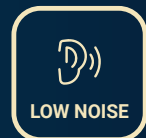
# CUBO<sub>2</sub> PLUS 2

# SCM FRIGO

## Transcritical CO<sub>2</sub>ndensing Units



VARISTEP  
CRII



**BEIJER REF**

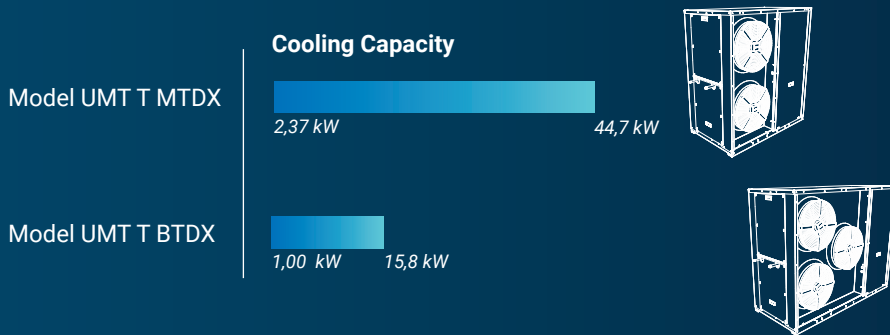
We know the art of achieving  
a perfect temperature.

Download this brochure  
on your device:



# CO<sub>2</sub> Systems for medium and low temperature applications

## Transcritical condensing units DX



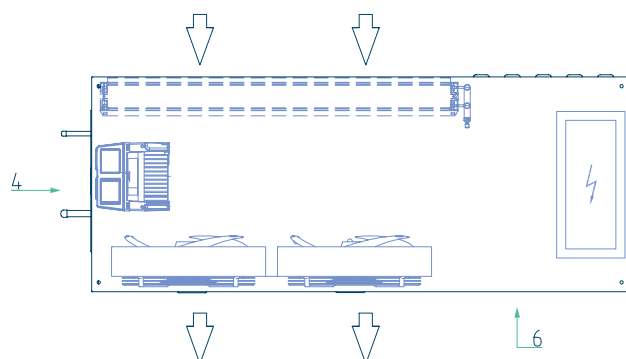
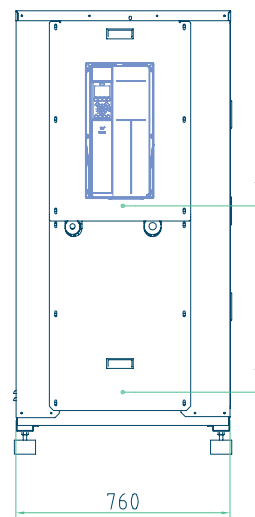
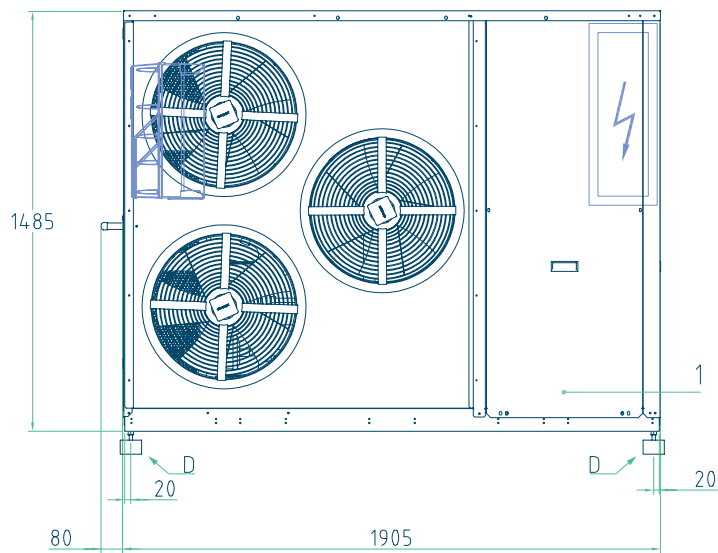
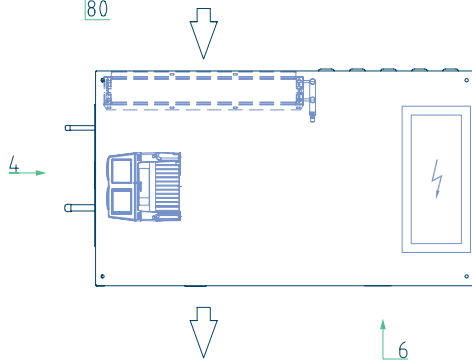
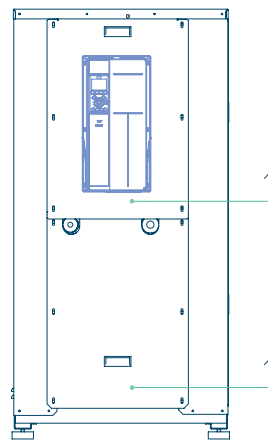
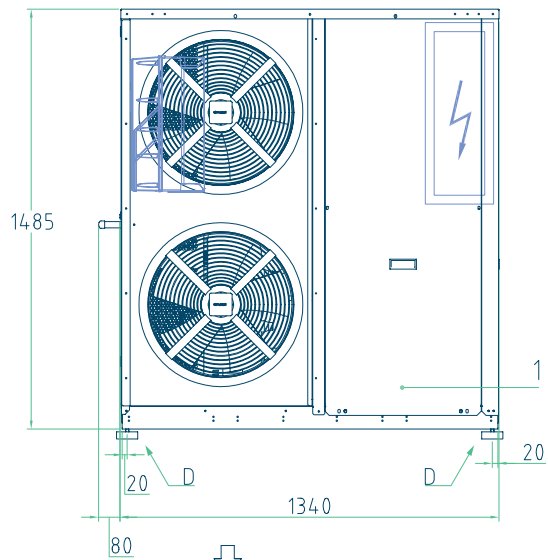
Design is compact and units are easy to install and maintain.  
Units are equipped with gas cooler and electrical panel, tested and factory programmed for an easy start-up.

- Semi Hermetic reciprocating compressor**
- EC fans**
- K65 connections**
- Liquid Receiver 15 litres**
- Design pressure:**
  - 120 bar (high pressure side)
  - 80 bar (liquid line)
  - 80 bar (suction)

### OPTION ON REQUEST

- Frequency controlled compressor on LT line**
- Adiabatic System**  
(suggested for ambient temperatures > +38°)
- RDM Controller**
- Danfoss Controller**
- Liquid Receiver 37 litres**

# Dimensional data of the units



Preliminary Data

MEDIUM TEMPERATURE

UMT 036 MTDX\*

Dorin CD 360H

T amb [°C]	Evaporation Temperature [°C]														
	-15		-10		-5		0		5						
	min	max	min	max	min	max	min	max	min	max	min	max			
40	2,37	3,55	1,03	2,97	4,45	1,21	3,64	5,46	1,42	4,37	6,55	1,65	5,15	7,73	1,91
38	2,54	3,82	1,31	3,18	4,78	1,31	3,90	5,86	1,55	3,97	7,01	1,80	5,51	8,27	2,10
32	2,99	4,49	1,42	3,71	5,57	1,70	4,52	6,78	2,03	5,38	8,08	2,40	6,33	9,49	2,85
20	4,15	6,23	2,31	5,08	7,62	2,81	5,91	8,87	3,32	7,27	10,91	4,25	8,50	12,74	5,31
MEPS	2,57 (according to Ecodesign Directive EN 2009/125/EC)														
MRA/Pmax	13,8A / 4,8 kW														

UMT 075 MTDX\*

Dorin CD 4 75-4.7H

T amb [°C]	Evaporation Temperature [°C]														
	-15		-10		-5		0		5						
	min	max	min	max	min	max	min	max	min	max	min	max			
40	5,11	7,67	1,12	6,29	9,43	1,31	7,54	11,30	1,52	8,78	13,18	1,74	10,39	15,59	2,02
38	5,40	8,10	1,21	6,64	9,96	1,42	7,94	11,92	1,65	9,37	14,05	1,90	10,94	16,40	2,23
32	6,20	9,30	1,54	7,57	11,35	1,84	8,96	13,44	2,15	10,79	16,19	2,51	12,31	18,47	3,04
20	8,28	12,42	2,47	9,87	14,81	2,93	13,66	20,48	3,57	13,66	20,48	4,27	15,82	23,74	5,30
MEPS	2,65 (according to Ecodesign Directive EN 2009/125/EC)														
MRA/Pmax	24,4 A / 8,7 kW														

UMT 120 MTDX

Dorin CD4 90-6.4H

T amb [°C]	Evaporation Temperature [°C]														
	-15		-10		-5		0		5						
	min	max	min	max	min	max	min	max	min	max	min	max			
40	5,10	10,20	1,09	6,28	12,55	1,28	7,57	15,13	1,48	8,96	17,92	1,72	10,49	20,99	1,98
38	5,45	10,90	1,18	6,70	13,39	1,39	7,98	15,96	1,61	9,45	18,90	1,87	11,05	22,10	2,16
32	6,22	12,44	1,50	7,60	15,20	1,79	9,11	18,22	2,09	10,75	21,50	2,48	12,56	25,12	2,90
20	8,25	16,50	2,36	9,97	19,94	2,86	11,73	23,46	3,39	13,79	27,58	4,15	15,78	31,56	4,98
MEPS	2,71 (according to Ecodesign Directive EN 2009/125/EC)														
MRA/Pmax	27,4 A / 13,2 kW														

UMT 150 MTDX

Dorin CD4 120-9.2H

T amb [°C]	Evaporation Temperature [°C]														
	-15		-10		-5		0		5						
	min	max	min	max	min	max	min	max	min	max	min	max			
40	7,41	14,82	1,07	9,11	18,23	1,26	11,31	22,62	1,47	12,68	25,37	1,64	14,81	29,62	1,89
38	7,91	15,82	1,17	9,72	19,44	1,37	11,73	23,46	1,61	13,37	26,74	1,78	15,60	31,20	2,06
32	9,22	18,43	1,49	11,26	22,52	1,76	13,54	27,07	2,08	15,55	31,09	2,34	18,10	36,20	2,75
20	12,43	24,85	2,48	14,99	29,99	3,01	17,42	34,84	3,49	13,79	27,58	4,15	23,11	46,21	4,97
MEPS	3,67 (according to Ecodesign Directive EN 2009/125/EC)														
MRA/Pmax	37,2 A / 14,9 kW														

UMT 190 MTDX

Dorin CD 2000H

T amb [°C]	Evaporation Temperature [°C]														
	-15		-10		-5		0		5						
	min	max	min	max	min	max	min	max	min	max	min	max			
40	9,29	18,59	1,05	11,43	22,86	1,25	13,80	27,60	1,47	16,08	26,80	1,67	18,53	30,88	1,90
38	9,92	19,84	1,15	12,19	24,37	1,36	14,70	29,40	1,60	17,14	28,56	1,83	19,51	32,52	2,08
32	11,31	22,62	1,47	13,97	27,94	1,76	16,77	33,54	2,09	19,40	32,34	2,38	22,02	36,70	2,64
20	15,17	30,35	2,37	18,08	36,17	2,82	21,24	42,48	3,34	21,61	36,01	3,10	25,06	41,77	3,75
MEPS	2,69 (according to Ecodesign Directive EN 2009/125/EC)														
MRA/Pmax	41,2 A / 20,9 kW														

Inverter modulation from 30 to 60 Hz except \* from 40 to 60 Hz / cooling capacity min @30 Hz - max @ 60 Hz except \*\* @ 50 Hz

N° of fans / Dimensions & Weight / Noise

PEDII	2x500		2x500		2x500		3x500	
	CD360H		CD4 120-9.2H		CD4 90-6.4H		CD4 75-4.7H	
	mm1340x760x1485	Weight 460 Kg	mm1340x760x1485	Weight 560 Kg	mm1340x760x1485	Weight 570 Kg	mm1895x760x1485	Weight 650 Kg
	**Noise 43 dB(A)		**Noise 44 dB(A)		**Noise 45 dB(A)		**Noise 45 dB(A)	
	3x500							
	CD2000H	mm1895x760x1485	Weight 655 Kg	**Noise 45 dB(A)				

Preliminary Data

MEDIUM TEMPERATURE

UMT 036 MTDX

Bitzer 2MTE-5K

T amb [°C]	Evaporation Temperature [°C]														
	-15		-10		-5		0		5						
	min	max	min	max	min	max	min	max	min	max					
40	2,55	5,10	1,09	3,14	6,29	1,28	3,79	7,58	1,49	4,52	9,04	1,69	5,38	10,75	1,99
38	2,67	5,34	1,18	3,30	6,60	1,39	3,98	7,96	1,61	4,79	9,58	1,89	5,64	11,28	2,19
32	3,11	6,22	1,54	3,87	7,74	1,81	4,64	9,29	2,13	5,52	11,04	2,48	6,55	13,09	2,99
20	4,34	8,68	2,51	5,30	10,60	3,05	6,20	12,41	3,55	7,24	14,48	4,16	8,58	17,16	5,24
MEPS	2,65 (according to Ecodesign Directive EN 2009/125/EC)														
MRA/Pmax	15,9 A / 7,5 kW														

UMT 075 MTDX

Bitzer 2KTE-7K

T amb [°C]	Evaporation Temperature [°C]														
	-15		-10		-5		0		5						
	min	max	min	max	min	max	min	max	min	max					
40	3,74	7,48	1,09	4,58	9,16	1,28	5,54	11,09	1,47	6,62	13,25	1,73	7,88	15,76	1,99
38	3,97	7,94	1,17	4,79	9,58	1,39	5,99	11,99	1,59	6,92	13,85	1,89	8,68	17,36	2,16
32	4,60	9,19	1,53	5,56	11,11	1,81	6,76	13,52	2,13	8,01	16,02	2,51	6,55	13,09	3,01
20	6,28	12,56	2,51	7,70	15,41	3,05	9,02	18,05	3,55	7,24	14,48	4,23	12,46	24,91	5,24
MEPS	2,65 (according to Ecodesign Directive EN 2009/125/EC)														
MRA/Pmax	20,5 A / 10,4 kW														

UMT 120 MTDX

Bitzer 4MTE-10K

T amb [°C]	Evaporation Temperature [°C]														
	-15		-10		-5		0		5						
	min	max	min	max	min	max	min	max	min	max					
40	4,91	9,82	1,06	6,16	12,32	1,23	7,38	14,76	1,43	8,93	17,86	1,65	10,42	20,84	1,95
38	5,17	10,34	1,14	6,53	13,07	1,33	7,78	15,56	1,56	9,67	19,34	1,80	11,00	22,01	2,15
32	6,14	12,28	1,46	7,58	15,17	1,75	9,04	18,07	2,10	10,87	21,73	2,48	12,70	25,40	2,99
20	8,38	16,76	2,35	10,24	20,48	2,89	12,21	24,42	3,52	14,32	28,64	4,20	16,69	33,37	5,23
MEPS	2,71 (according to Ecodesign Directive EN 2009/125/EC)														
MRA/Pmax	26,3 A / 13,8 kW														

UMT 150 MTDX

Bitzer 4KTE-12K

T amb [°C]	Evaporation Temperature [°C]														
	-15		-10		-5		0		5						
	min	max	min	max	min	max	min	max	min	max					
40	7,80	15,60	1,15	9,36	18,72	1,33	11,46	22,92	1,52	13,44	26,88	1,77	15,93	31,86	2,03
38	8,34	16,68	1,25	9,90	19,80	1,45	12,30	24,60	1,65	14,07	28,14	1,94	17,43	34,86	2,20
32	9,37	18,73	1,62	11,50	22,99	1,80	13,68	27,36	2,20	16,05	32,10	2,61	19,02	38,04	3,04
20	12,66	25,32	2,53	15,00	30,00	3,07	18,06	36,12	3,66	21,27	42,54	4,42	24,37	48,74	5,22
MEPS	2,67 (according to Ecodesign Directive EN 2009/125/EC)														
MRA/Pmax	33,4 A / 18,6 kW														

UMT 190 MTDX

Bitzer 4HTE-20K

T amb [°C]	Evaporation Temperature [°C]														
	-15		-10		-5		0		5						
	min	max	min	max	min	max	min	max	min	max					
40	9,71	19,43	1,12	11,68	23,36	1,30	14,23	28,46	1,50	16,72	27,86	1,72	19,17	31,95	2,01
38	10,35	20,70	1,21	12,30	24,60	1,41	15,34	30,67	1,62	17,44	29,06	1,89	21,25	35,42	2,23
32	11,92	23,84	1,58	14,20	28,39	1,85	16,94	33,89	2,17	19,96	33,26	2,54	23,76	39,60	2,97
20	15,67	31,34	2,46	18,68	37,37	2,91	22,06	44,12	3,84	22,95	38,25	3,42	26,84	44,74	4,22
MEPS	2,69 (according to Ecodesign Directive EN 2009/125/EC)														
MRA/Pmax	42,4 A / 24 kW														

Inverter modulation from 30 to 60 Hz except / cooling capacity min @30 Hz - max @ 60 Hz except \*\* @ 50 Hz

N° of fans / Dimensions & Weight / Noise

PEDII	2x500		2x500		2x500		3x500	
	Model	Dimensions (mm)	Model	Dimensions (mm)	Model	Dimensions (mm)	Model	Dimensions (mm)
	2MTE-5K	mm1340x760x1485	2KTE-7K	mm1340x760x1485	4MTE-10K	mm1340x760x1485	4KTE-12K	mm1895x760x1485
		Weight 460 Kg		Weight 470 Kg		Weight 570 Kg		Weight 645 Kg
		**Noise 43 dB(A)		**Noise 44 dB(A)		**Noise 44 dB(A)		**Noise 45 dB(A)
		3x500						
	4HTE-20K	mm1895x760x1485						
		Weight 655 Kg						
		**Noise 45 dB(A)						

UMT 075 VS MTDX

Bitzer 4PTE-7K

T amb [°C]		Evaporation Temperature [°C]													
		-15		-10		-5		0		5					
		min	max	min	max	min	max	min	max	min	max				
40	0,47	4,68	0,96	0,64	6,38	1,18	0,78	7,83	1,39	0,95	9,45	1,64	1,13	11,27	1,95
38	0,53	5,27	1,07	0,67	6,72	1,28	0,82	8,23	1,52	0,99	9,92	1,80	1,18	11,81	2,15
32	0,64	6,38	1,41	0,79	7,90	1,69	0,96	9,60	2,02	1,15	11,51	2,44	1,36	13,64	2,96
20	0,86	8,64	2,20	1,15	11,48	2,92	1,29	12,85	3,30	1,54	15,38	4,08	1,82	18,24	5,13
MEPS	2,65 (according to Ecodesign Directive EN 2009/125/EC)														
MRA/Pmax	20,5 A / 10,4 kW														

UMT 120 VS MTDX

Bitzer 4MTE-10K

T amb [°C]		Evaporation Temperature [°C]													
		-15		-10		-5		0		5					
		min	max	min	max	min	max	min	max	min	max				
40	0,85	8,49	1,07	1,06	10,62	1,24	1,29	12,90	1,44	1,55	15,45	1,70	1,83	18,29	2,03
38	0,90	9,02	1,14	1,12	11,15	1,33	1,35	13,52	1,57	1,62	16,18	1,86	1,92	19,17	2,24
32	1,05	10,52	1,44	1,29	12,92	1,72	1,56	15,62	2,07	1,87	18,68	2,53	2,21	22,10	3,12
20	1,40	13,96	2,22	1,71	17,13	2,73	2,08	20,80	3,39	2,50	25,00	4,26	2,98	29,80	5,46
MEPS	2,71 (according to Ecodesign Directive EN 2009/125/EC)														
MRA/Pmax	26,3 A / 13,8 kW														

UMT 150 VS MTDX

Bitzer 4KTE-12K

T amb [°C]		Evaporation Temperature [°C]													
		-15		-10		-5		0		5					
		min	max	min	max	min	max	min	max	min	max				
40	1,27	12,70	1,09	1,59	15,86	1,30	1,94	19,40	1,54	2,34	23,40	1,82	2,78	27,80	2,15
38	1,35	13,47	1,18	1,68	16,78	1,42	2,05	20,50	1,68	2,46	24,60	1,98	2,92	29,20	2,36
32	1,57	15,73	1,52	1,95	19,47	1,83	2,37	23,70	2,20	2,83	28,30	2,65	3,36	33,60	3,22
20	2,08	20,80	2,35	2,55	25,50	2,87	3,10	31,00	3,52	3,73	37,30	4,38	4,44	44,40	5,58
MEPS	2,67 (according to Ecodesign Directive EN 2009/125/EC)														
MRA/Pmax	33,4 A / 18,6 kW														

UMT 190 VS MTDX

Bitzer 4HTE-20K

T amb [°C]		Evaporation Temperature [°C]													
		-15		-10		-5		0		5					
		min	max	min	max	min	max	min	max	min	max				
40	1,70	16,98	1,15	2,06	20,60	1,33	2,49	24,90	1,56	2,86	28,60	1,69	3,38	33,80	1,98
38	1,78	17,79	1,24	2,16	21,60	1,44	2,61	26,10	1,70	2,98	29,80	1,83	3,52	35,20	2,16
32	2,06	20,60	1,59	2,49	24,90	1,88	2,98	29,80	2,24	3,39	33,90	2,43	4,01	40,10	2,91
20	2,70	27,00	2,46	3,26	32,60	2,97	3,92	39,20	3,63	4,69	46,90	4,49	5,57	55,70	5,63
MEPS	2,69 (according to Ecodesign Directive EN 2009/125/EC)														
MRA/Pmax	42,4 A / 24 kW														

**VARISTEP capacity control for high full and part load efficiency**

Compressor capacity modulation with stepless capacity control from 10 to 100% @ 50 Hz

**N° of fans / Dimensions & Weight / Noise**

	2x500	2x500	3x500	3x500
<b>PEDII</b>	<b>2KTE-7K</b>	<b>4MTE-10K</b>	<b>4KTE-12K</b>	<b>4HTE-20K</b>
	mm1340x760x1485	mm1340x760x1485	mm1895x760x1485	mm1895x760x1485
	Weight 470 Kg	Weight 570 Kg	Weight 645 Kg	Weight 655 Kg
	**Noise 44 dB(A)	**Noise 44 dB(A)	**Noise 45 dB(A)	**Noise 45 dB(A)

Preliminary Data

LOW TEMPERATURE

UMT 030 BTDX

Dorin CD2S 300

T amb [°C]	Evaporation Temperature [°C]											
	-40			-35			-30			-25		
	Cooling Capacity [W]		COP	Cooling Capacity [W]		COP	Cooling Capacity [W]		COP	Cooling Capacity [W]		COP
	min	max		min	max		min	max		min	max	
40	-	-	-	-	-	-	1,38	2,11	0,97	1,58	2,38	1,05
38	-	-	-	1,22	1,84	0,94	1,42	2,14	1,02	1,64	2,46	1,11
32	1,08	1,62	0,94	1,26	1,90	1,04	1,53	2,29	1,12	1,73	2,59	1,31
20	1,17	1,75	1,25	1,37	2,05	1,39	1,66	2,48	1,60	1,90	2,86	1,77
MEPS	0,96 (according to Ecodesign Directive EN 2009/125/EC)											
MRA/Pmax	10,4 A / 4,2 kW											

UMT035 BTDX

Dorin CD2S 350

T amb [°C]	Evaporation Temperature [°C]											
	-40			-35			-30			-25		
	Cooling Capacity [W]		COP	Cooling Capacity [W]		COP	Cooling Capacity [W]		COP	Cooling Capacity [W]		COP
	min	max		min	max		min	max		min	max	
40	-	-	-	-	-	-	1,62	2,42	0,99	1,88	2,82	1,08
38	-	-	-	1,46	2,18	0,97	1,67	2,51	1,05	1,94	2,92	1,15
32	1,30	1,96	1,03	1,54	2,30	1,14	1,78	2,68	1,12	2,06	3,10	1,36
20	1,44	2,16	1,35	1,69	2,53	1,49	1,98	2,98	1,66	2,31	3,47	1,84
MEPS	1,01 (according to Ecodesign Directive EN 2009/125/EC)											
MRA/Pmax	11,7 A / 4,7 kW											

UMT 036 BTDX

Dorin CD2S 360

T amb [°C]	Evaporation Temperature [°C]											
	-40			-35			-30			-25		
	Cooling Capacity [W]		COP	Cooling Capacity [W]		COP	Cooling Capacity [W]		COP	Cooling Capacity [W]		COP
	min	max		min	max		min	max		min	max	
40	-	-	-	-	-	-	2,09	3,13	0,99	2,44	3,66	1,09
38	-	-	-	1,86	2,80	0,97	2,16	3,24	1,05	2,50	3,76	1,14
32	1,67	2,51	1,03	1,97	2,95	1,13	2,29	3,43	1,23	2,68	4,02	1,36
20	1,86	2,78	1,34	2,19	3,29	1,50	2,55	3,83	1,64	2,97	4,45	1,81
MEPS	1,60 (according to Ecodesign Directive EN 2009/125/EC)											
MRA/Pmax	11,9 A / 5 kW											

UMT 120 BTDX

Dorin CD2S 1200

T amb [°C]	Evaporation Temperature [°C]											
	-40			-35			-30			-25		
	Cooling Capacity [W]		COP	Cooling Capacity [W]		COP	Cooling Capacity [W]		COP	Cooling Capacity [W]		COP
	min	max		min	max		min	max		min	max	
40	-	-	-	-	-	-	8,05	12,07	1,01	9,24	13,86	1,09
38	-	-	-	7,07	10,61	0,98	8,28	12,42	1,07	9,51	14,27	1,15
32	6,16	9,24	1,01	7,35	11,03	1,13	8,58	12,86	1,23	9,96	14,94	1,34
20	6,56	9,84	1,29	7,78	11,68	1,45	9,14	13,72	1,59	10,57	15,85	1,73
MEPS	1,70 (according to Ecodesign Directive EN 2009/125/EC)											
MRA/Pmax	32,4 A / 13,2 kW											

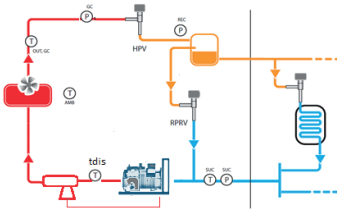
inverter modulation from 40 to 60 Hz / cooling capacity min @ 40Hz - max @ 60 Hz

N° of fans / Dimensions & Weight / Noise

PEDII	2x500	2x500	2x500	2x500
	<b>CD2S300</b>	<b>CD2S350</b>	<b>CD2S360</b>	<b>CD2S1200</b>
	mm1340x760x1485	mm1340x760x1485	mm1340x760x1485	mm1340x760x1485
	Weight 460 Kg	Weight 465 Kg	Weight 470 Kg	Weight 560 Kg
	**Noise 48 dB(A)	**Noise 48 dB(A)	**Noise 48 dB(A)	**Noise 50 dB(A)

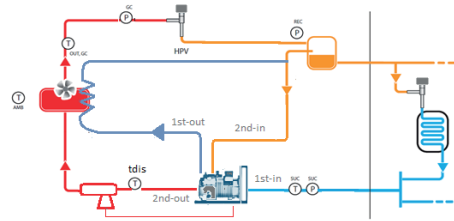
# Unit Configuration

Model UMT T MTDX



- One Semihermetic Compressor
- Oil management with: oil separator, oil reservoir, traxoil

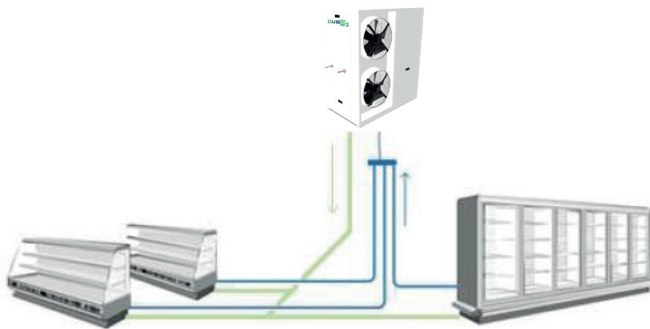
Model UMT T BTDX



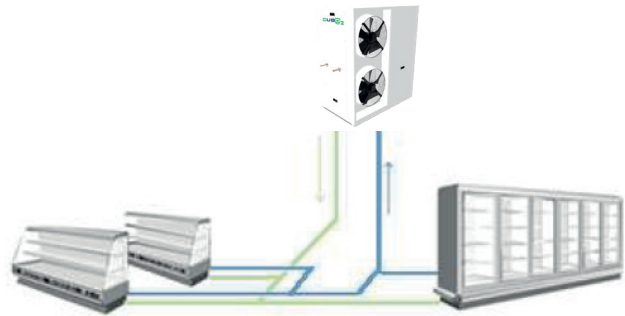
- One semihermetic compressor double stage
- Air cooled intercooler integrated in the gas cooler coil
- Oil management with: oil separator, oil reservoir, traxoil

# Installation Design

Multi-Split



Branch



## Pipe Connections (Multi-Split or Branch)

The connection between the Condensing Unit and more remote evaporators can be the same one used for Multi-Split or branch system.

The preferred one is the one is able to guarantee the highest gas velocity in the suction line (for a good oil return) with a low pressure drop.

For Multi-Split layout, the system requires a dedicated suction line for each evaporator that will be collected by a manifold installed close to the condensing unit.

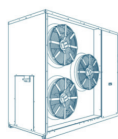
Please refer to the example reported in the pictures.

- *Liquid line must be properly sized to supply the farther evaporators (liquid velocity < 1 m/s is suggested).*
- *Suction line must be properly sized to have a good oil return with a low pressure drop (gas velocity min 5m/s).*

# Check the unit charge/receiver size

CUBO <sub>2</sub> PLUS Refrigerant Charge Calculator V.1.1			
UMT MODEL	UMT 150 MTDX	33 ft manifold capacity	per m³ (MTDX)
Liquid Receiver model	15 L		
Use 0.85 and 0.85 for the entire unit			
Parameters			
CONDENSING UNIT	kg		
Condenser 1 (0.10 bar 400)	0,00		
Condenser 2 (0.10 bar 400)	0,00		
Condenser 3 (0.10 bar 400)	0,00		
Sub Total Liquid	0,00		
SUCTION LINE			
Suction 1 (0.10 bar 400)	0,00		
Suction 2 (0.10 bar 400)	0,00		
Suction 3 (0.10 bar 400)	0,00		
Suction 4 (0.10 bar 400)	0,00		
Sub Total Suction	0,00		
Evaporators			
Evaporator 1 (0.10 bar 400)	0,00		
Evaporator 2 (0.10 bar 400)	0,00		
Evaporator 3 (0.10 bar 400)	0,00		
Sub Total Evaps	0,00		
<b>Total Charge</b>	<b>kg</b>	<b>5,48</b>	<b>ok</b>
<small>(minimum charge is 1kg)</small>			
Pumpdown from EZV MUST BE	<b>kg</b>	<b>3,00</b>	<b>ok</b>
<small>± 23kg for 37L and ± 10 for 15L</small>			
Pumpdown from CU Liquid	<b>kg</b>	<b>3,00</b>	<b>ok</b>
<small>Outlet: 1/2" (0.10 bar 400) or 1/4" (0.10 bar 400) or 1/8" (0.10 bar 400)</small>			
Oil to Charge (oz)			
<small>Check the oil percentage of each additional unit to be added according to the oil charging back from the evaporator</small>			
<small>Oil approved: POE Semihermetic CSE or Fuchs BSE 85 €</small>			

In our website at the following link:  
[www.scmfrigo.com/en/products/co2-condensing-unit/](http://www.scmfrigo.com/en/products/co2-condensing-unit/)



**Cooling Capacity:**  
 MT from 4,6 kW up to 34 kW - BT from 1,1 kW up to 12,5 kW

Design is compact and units are easy to install and maintain. Units are equipped with gas cooler and electrical panel, tested and factory programmed for an easy start-up.

[DOWNLOAD BROCHURE](#)

Click here to download >

[CO2 CHARGE CALCULATION CUBO PLUS V1-1](#)

# F.A.Q. Section

Visit **FAQ** section on the SCM Frigo website:



[scmfrigo.com/en/faq/](http://scmfrigo.com/en/faq/)