



CA-CL-36-B

Item Number 4492910

Charging hose, blue, with ball valve, 1/4" SAE, 36"/90 cm 1x straight 1/4" SAE, 1x straight with ball valve 1/4" SAE and core depressor

- Long-life PTFE seal with blow-out preventer, replaceable
- 60 bar working pressure
- High-quality rubber compound for high elasticity, against hardening and embrittlement

Technical Data

Material	Brass Rubber
Colour	blue
Number of Hoses	1
Length	90 cm
Sealing	PTFE
System Connection	1/4" SAE Straight
Device Connection	1/4" SAE
Valve Core Depressor	Yes
Ball Valve	Yes
Working Pressure	60 bar
Burst Pressure	300 bar
Diameter	1/4"
Packaging	Blister

Spare Parts

9880871	P-509-T/10	PTFE gasket 1/4" SAE, 10 pieces
---------	------------	---------------------------------

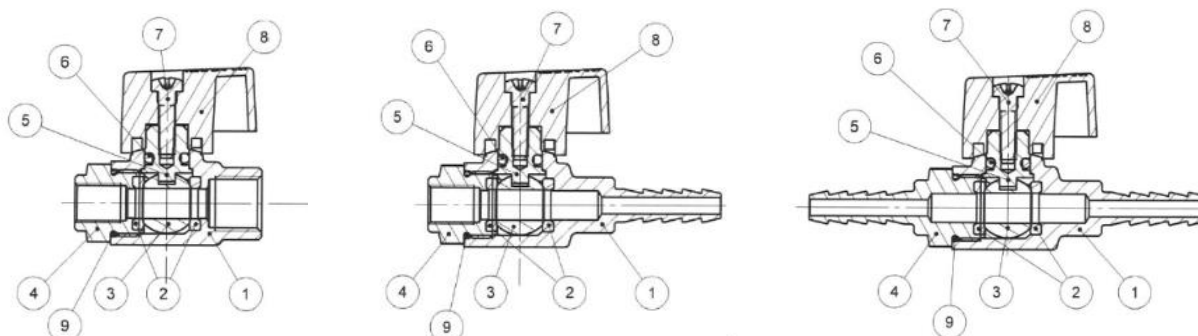
Acknowledged globally



9883979	P-509-T/100	PTFE gaskets, 100 pieces
9880869	P-513/10	Core depressor 1/4", 10 pieces
9883961	P-513/100	Core depressor 1/4", 100 pieces

Data sheet for various CA valves (yellow, red, blue) Art. No. (Various item numbers)

Item No.	Description	QTY	Material	Standards
1	Sand blasted nickel plated body (external nickel treatment, unplated machined parts)	1	CW617N	EN12165
2	Body seat	2	PTFE	-
3	Chrome plated ball	1	CW617N	EN12164
4	Sand blasted nickel plated hose end cap (external nickel treatment, unplated machined parts)	1	CW617N	EN12165
5	Unplated stem	1	CW617N	EN12164
6	O-ring	1	HNBR	-
7	Zinc plated screw	1	C10C	EN10263/2
8	Handle – blue (RAL 5017), yellow (RAL 1018) or red (RAL 3000)	1	Nylon – PA 6 30% Glass	-
9	O-ring	1	HNBR	-



Technical specifications

Relevant characteristic	
Operating pressure	60 bar
Operating temperatur	-20°C +80°C
Application	Refrigerants: HCFC (R-22), HFC (R-134a), HFO (R-1234yf), HC (R-600a)

We / 24.10.2019