

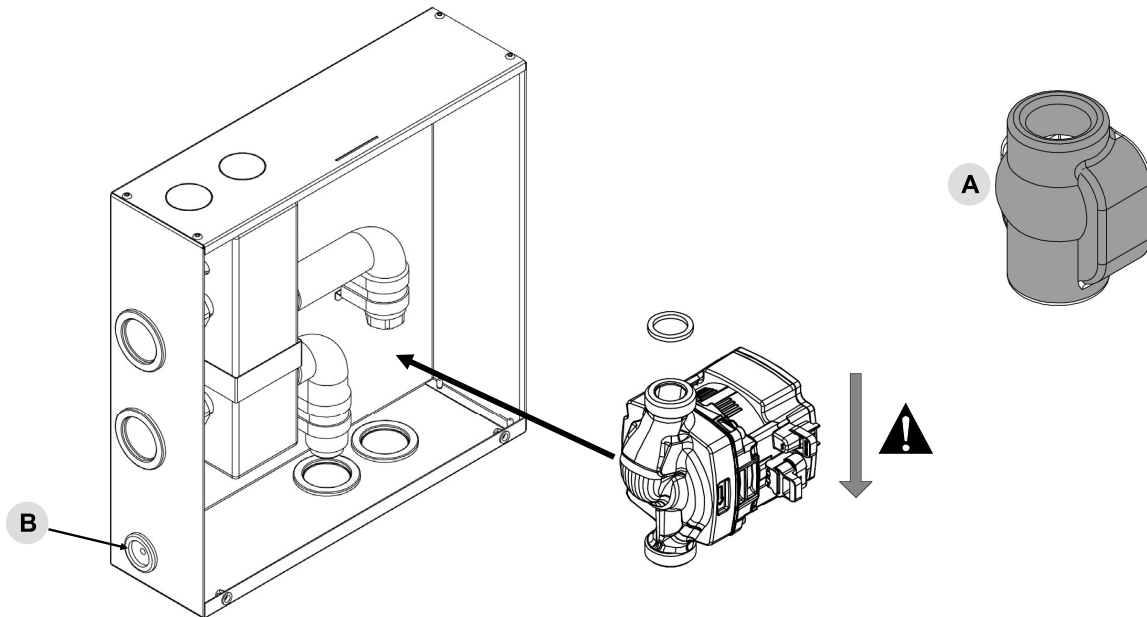
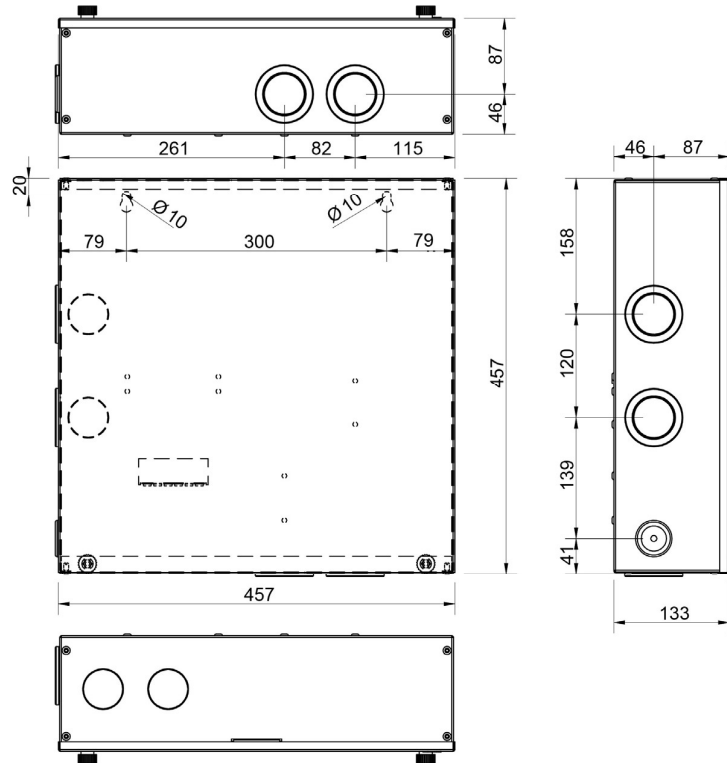
GB

Before performing any operation read carefully the IOM supplied with the unit .
 This component and these instructions are conceived exclusively for the utilisation in conjunction with a unit of the same manufacturer.
 These operations must be carried out exclusively by qualified technician and instructed on possible risks connected to the

operations.
 The electric operations must be carried out by qualified electricians at least according to IEC 60364 .
 During the operations follow the local safety regulations.
 Before starting, disconnect the unit power line.
 Check that the earth system is present and effective.

Dimensional

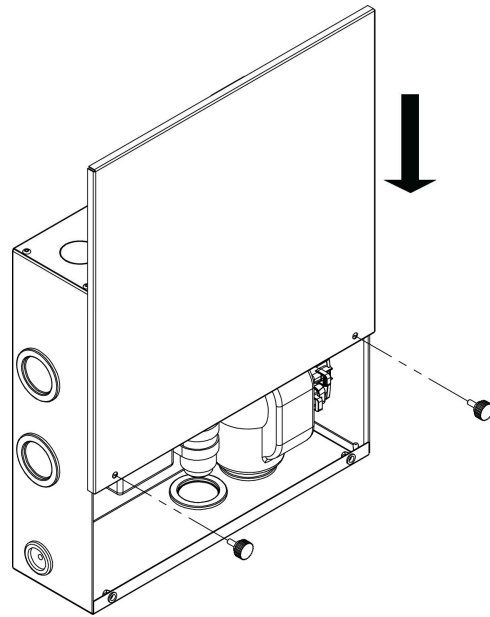
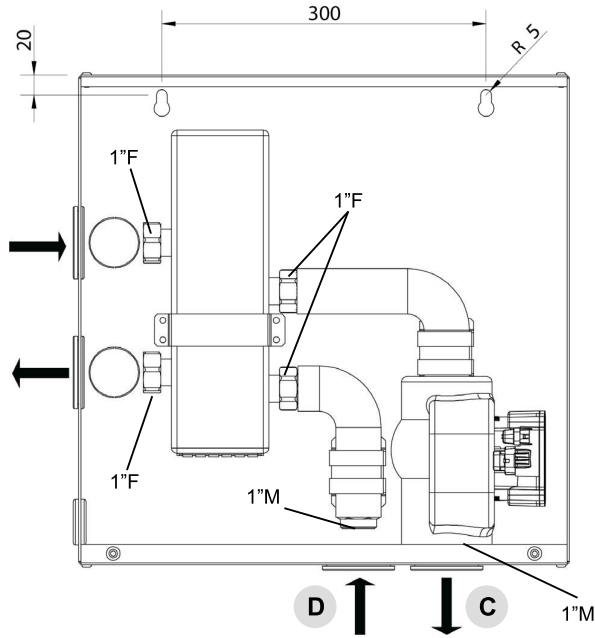
Fixing holes $\varnothing 10$



Install circulator + gasket
 Put the covering (A) on the circulator
 Pump connection cable outlet (B)

Secondary circuit kit (1-litre circuit breaker + pump)

PEHM00010 / KCSX



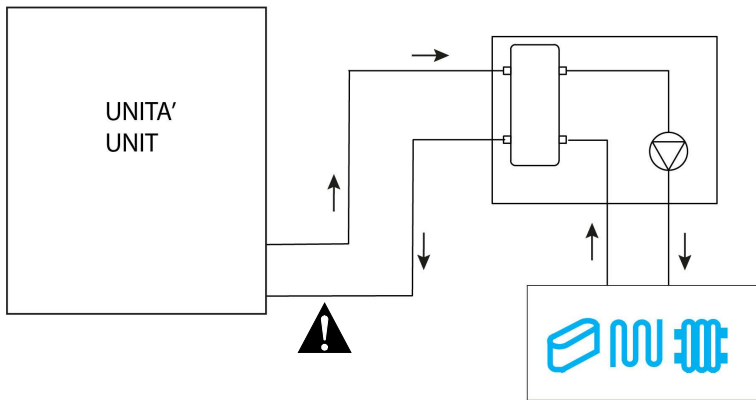
Fixing kit

C) System outlet

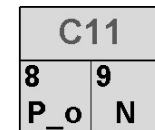
D) System return

Closing

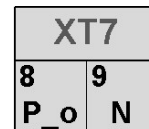
Electrical connections



Sphera Box

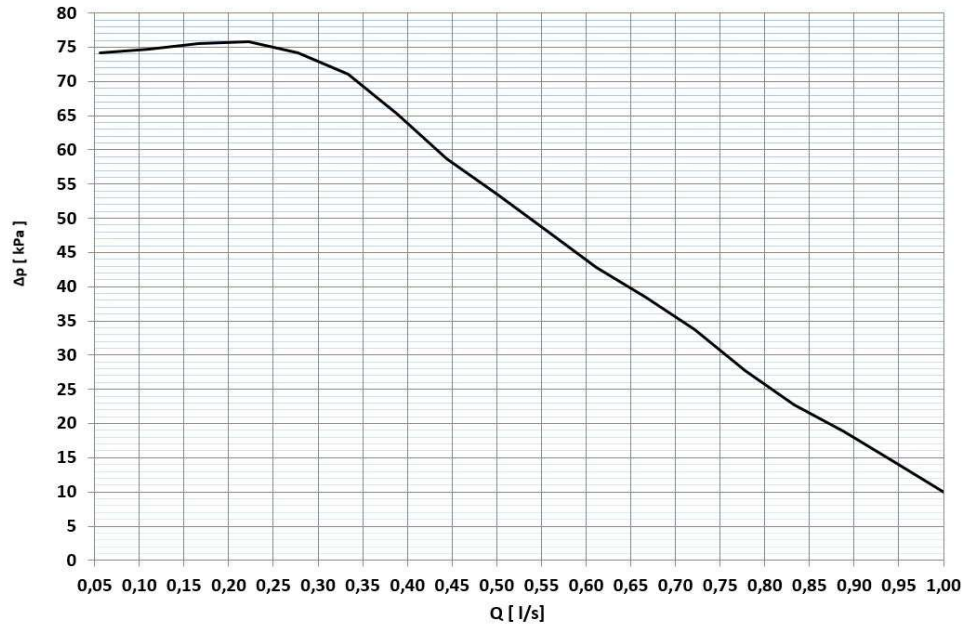


Edge Evo



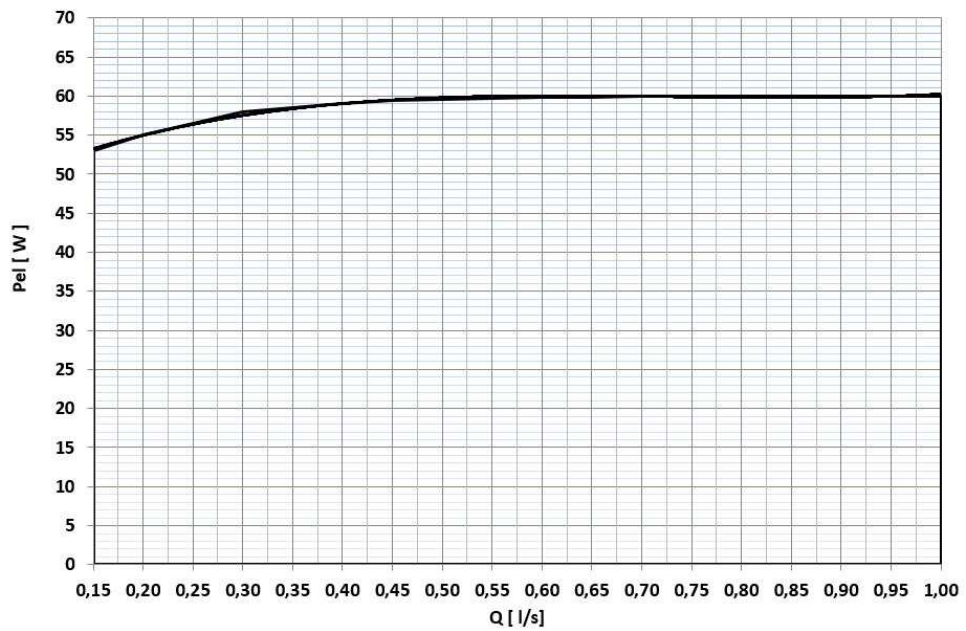
Isolate the pipes to avoid heat dispersions and formation of condensate.

Available pressure



DP = Available pressure [kPa]
 Q = Water flow rate [l/s]

Absorption



Pel = Electrical power absorbed [W]
 Q = Water flow rate [l/s]