

Installation guide

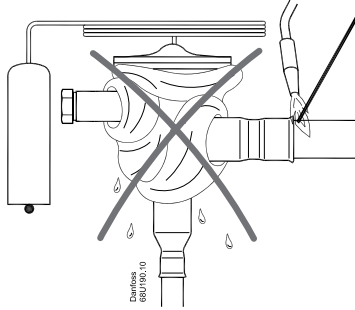
Thermostatic expansion valves for hydrocarbons

Type TU/TC

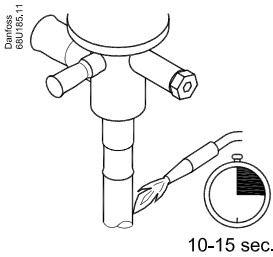
068R9554



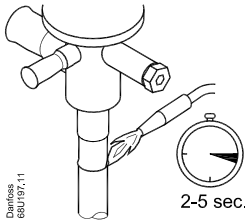
068R9554



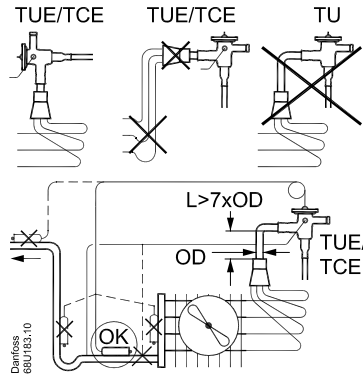
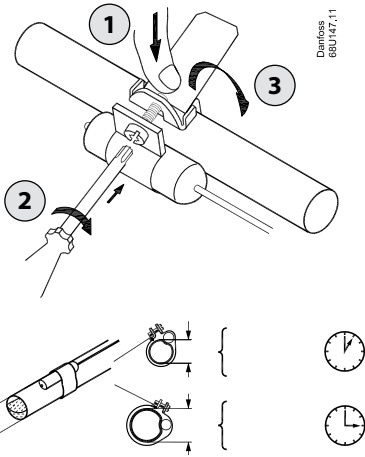
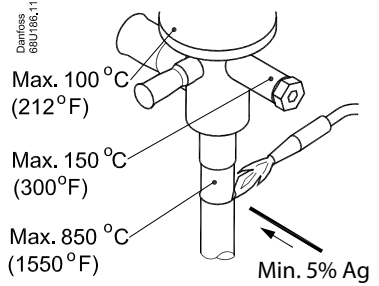
1



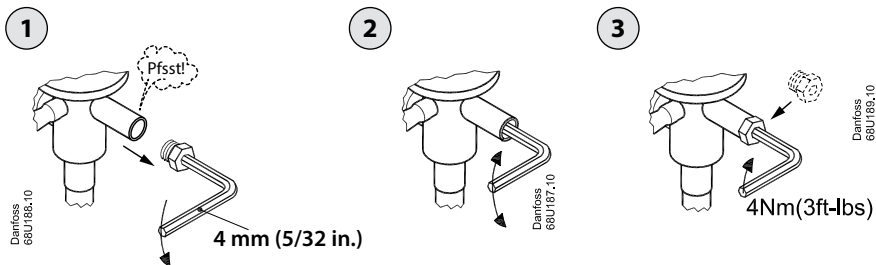
2



3



TU/TC



TU Factory setting, N: 4 °C / 7 °F

R290	ΔSS 1 ×
N	2.5 °C / 4.5 °F

TC Factory setting, N: 4 °C / 7 °F

R290	ΔSS 1 ×
N	1.5 °C / 2.7 °F