

Life Is On



COLDFACE

Connectable controllers
and switchboards
for cold rooms



Download and try
Eliwell AIR

eliwell.com/coldface-air

COLDFACE

Connectable controllers and switchboards for cold rooms

Coldface AIR series controllers and switchboards provide control of all static or ventilated cold room functions in a single device, with both single-phase and three-phase loads.

The enclosure, with innovative design for on-board installation, combines ease of installation, water resistance and the capability to house all electromechanical devices required for correct cold room load control and protection, easily accessible in the versions with door on the front panel.

Coldface AIR controllers are available with a series of advanced functions improving the energy efficiency of the application.

A quick and easy set-up is possible by connecting to the controller via Eliwell AIR app*. This enables an advanced configuration to improve cold room efficiency in a shorter time.

The Coldface range is certified compliant with the EN61439 - EN60204 standards for low-voltage switchgear for installation on machinery.



*connection via HACCP Module - to be ordered separately

Plus points



Easy to install

- Fast wiring thanks to screw or spring-clamp terminal blocks, direct power supply
- Guided wall-mounted application
- Large space inside the enclosure with direct access to the protection circuit breakers



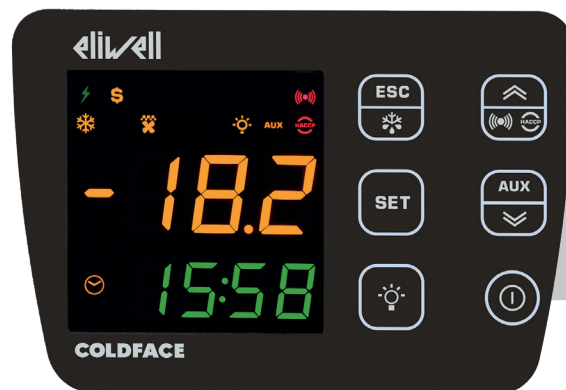
User friendly

- Intuitive user interface thanks to a large double display
- Direct access to the most used parameters



Quick start-up and supervision tools

- Fast programming with Eliwell AIR app
- Compatibility with Eliwell TelevisGo supervision system



The large LED display allows constant monitoring of cold room status.

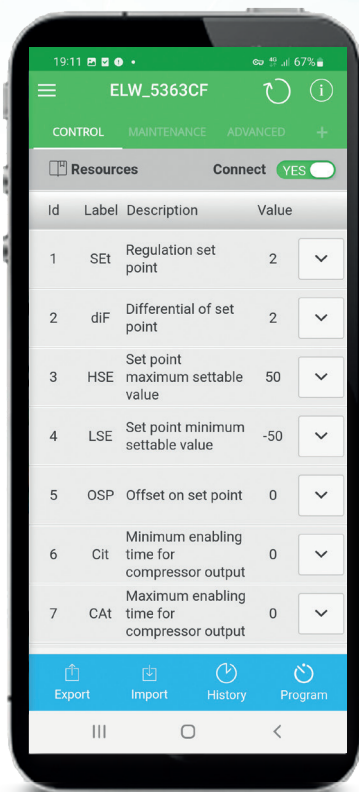
COLDFACE connectable via Eliwell AIR app to the HACCP Module!

Learn more about the advantages depending on your job

ARE YOU A REFRIGERATION INSTALLER?

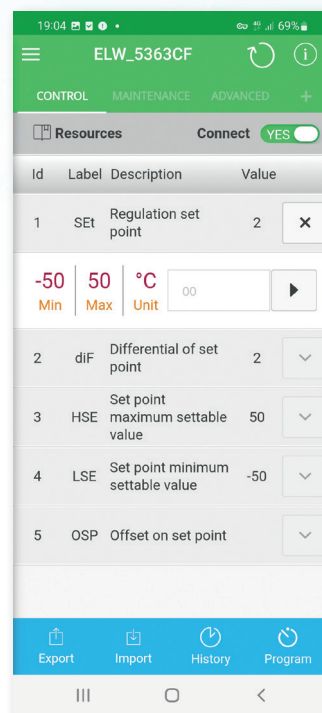
Easy access

to coldface parameters setting.



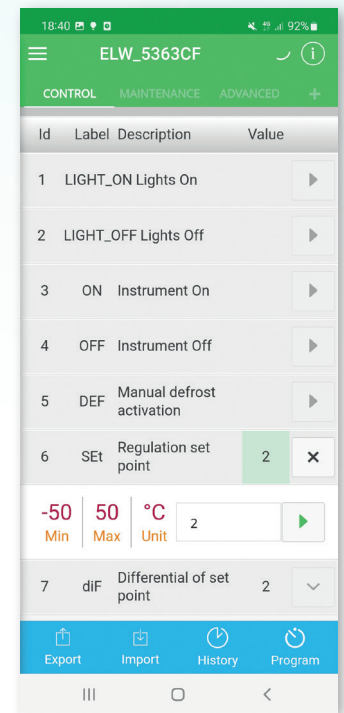
Easy configuration

each parameter includes the range of values that can be set and its measurement unit.



Secure programming

thanks to the green button feedback.



Typical applications

- > Butchers
- > Delicatessens
- > Catering
- > Hotels
- > Dairies
- > Pasta producers
- > Wineries
- > Cold stores



ARE YOU THE OWNER OF A SMALL SHOP?

HACCP Report

Customization step by step

1 Preferred resources can be selected according to user needs.

The screenshot shows an 'Add Resources' dialog box with a search bar and a list of resources. The first three resources are selected with green checkmarks:

- AI1 Analogue input (display) 1
- AI2 Analogue input (display) 2
- AI1_R Analogue input (control) 1

2 Registered resources name can be customized to be recognizable as per shop layout.

The screenshot shows the 'Add Resources' dialog box with an 'Edit Resource Name' pop-up for resource AI1. The name is being changed to 'Meat probe'.

3 Access the resources list with self-explaining labels.

The screenshot shows the 'Resources' list in the application interface. The list has columns for Id, Label, Description, and Value. The resources are:

Id	Label	Description	Value
1	dIF	Differential of set point	2
2	SET	Regulation set point	2
3	Meat probe	Analogue input (display) 1	3

HACCP data table

Selected data will be shown in a clear layout

HACCP report can be downloaded in **.csv** and **.pdf** format. The file can be shared on social networks or e-mail, sent to a specific device via Bluetooth, or saved in the device's memory.

This procedure can be used to create specific reports including alarm events, in order to share the alarm history to the installer to better organize on-field maintenance.

The screenshot shows the 'Dataset Details' screen. It displays the following information:

- Data details:
 - No. of records: 9
 - No of time frames: 8
- Dataset records list:
 - From: 22/06/2022
 - To: 22/06/2022
- Table of records:

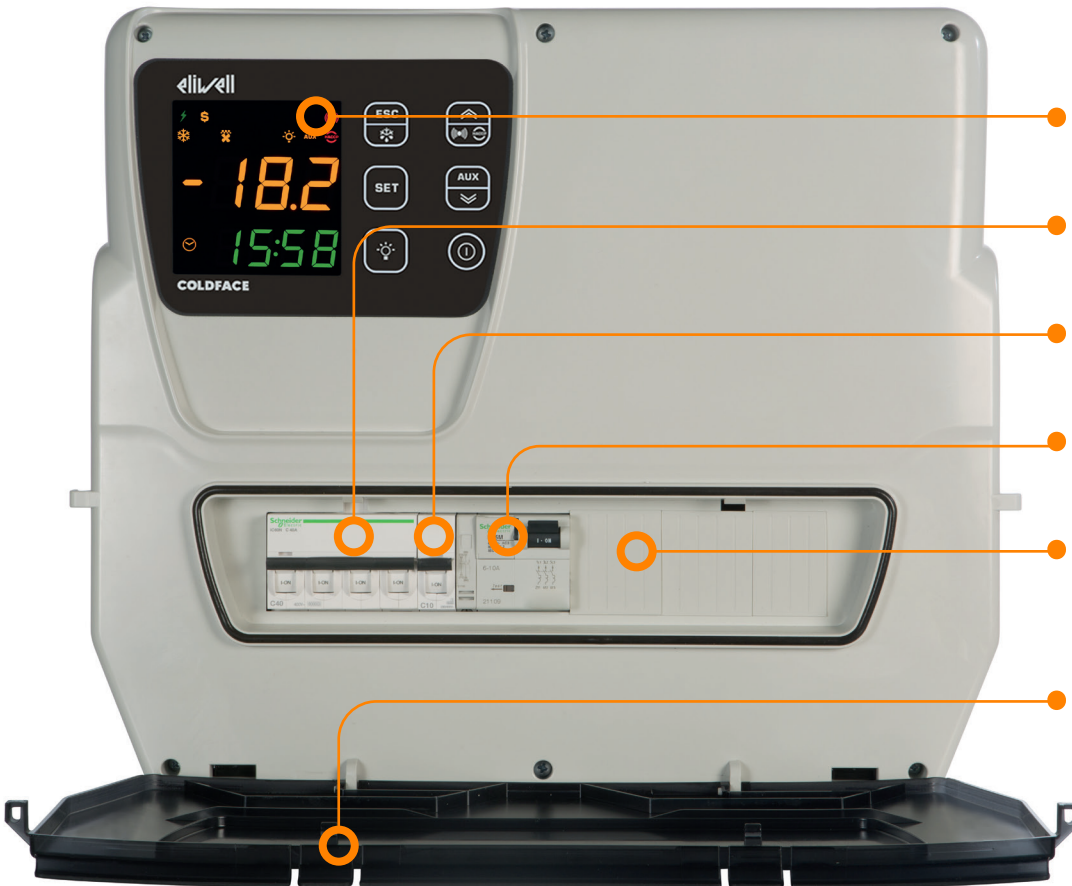
Date	Time	Meat probe	AI2	HA1	LA1	OPd	E1	CC
22.6.2022	20:32:56	3	3	0	0	0	0	
22.6.2022	20:33:58	3	3	0	0	0	0	
22.6.2022	20:34:59	3	3	0	0	0	0	
22.6.2022	20:36:00	3	3	0	0	0	0	
22.6.2022	20:37:01	3	3	0	0	0	0	
22.6.2022	20:38:02	3	3	0	0	0	0	
22.6.2022	20:39:03	3	3	0	0	0	0	
22.6.2022	20:40:04	3	3	0	0	0	0	
22.6.2022	20:41:05	3	3	0	0	0	0	

- Distribution centres
- Greengrocers
- Food Trucks



EWRC 5000 - 5010 - 5030

Everything under control



- Double display with large digits for excellent visibility
- Magneto-thermal mains switch
- Magneto-thermal switch for auxiliary loads
- Motor protection device with settings up to 20A
- Direct access to switches and protection devices up to 15 DIN modules
- Liquid-resistant front door with padlock fitting

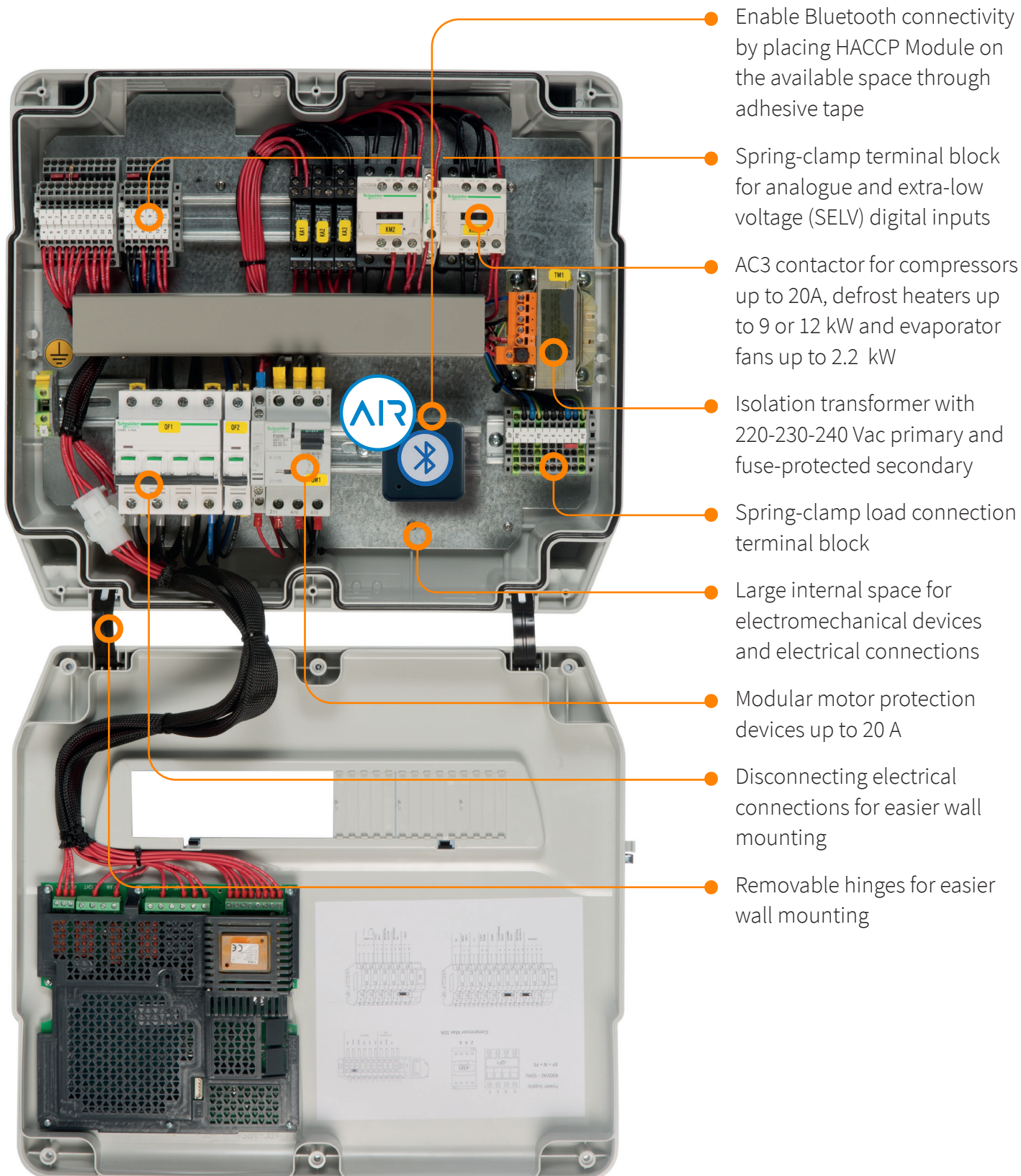


Download and try
Eliwell AIR

- 1 Download Eliwell AIR app
- 2 Add new device clicking on “+”
- 3 Tap on device name when recognized
- 4 Enter bluetooth password **123456**
- 5 Tap **Resources** and select the ones you want to try!

EWRC 5000 - 5010 - 5030

Plenty of wiring space



● Enable Bluetooth connectivity by placing HACCP Module on the available space through adhesive tape

● Spring-clamp terminal block for analogue and extra-low voltage (SELV) digital inputs

● AC3 contactor for compressors up to 20A, defrost heaters up to 9 or 12 kW and evaporator fans up to 2.2 kW

● Isolation transformer with 220-230-240 Vac primary and fuse-protected secondary

● Spring-clamp load connection terminal block

● Large internal space for electromechanical devices and electrical connections

● Modular motor protection devices up to 20 A

● Disconnecting electrical connections for easier wall mounting

● Removable hinges for easier wall mounting

EWRC 5000 - 5010 - 5030

General specifications

Line of electrical switchboards for complete control of cold rooms, single-phase or three-phase, with direct compressor control with variable setting protection device, evaporator fan, defrost heater, condenser fan, solenoid valve, cold room light and compressor oil heater.

Front door providing water-splash protection for the interior accommodating up to 15 DIN modules, with direct access to the magneto-thermal switches and variable setting motor protection device.

Thermostat or Pump-Down compressor control.

All connections are on convenient spring-clamp terminal blocks, which combine with efficient enclosure layout for quick, easy electrical connections.

The electronic controller features a series of leading-edge functions, such as HACCP event logging with a yearly calendar.

Connection to Televis or ModBus supervision systems possible with opto-isolated plug-in accessory.

The default configuration covers most applications but offers a high degree of customisation to individual requirements by the installer.

Quick and easy set-up is possible by connecting to the controller via Eliwell AIR app*. This enables an advanced configuration to improve cold room efficiency in a shorter time.

The product is certified compliant with the European directives regulating low-voltage switchgear for installation on machinery (EN61439 - EN60204).



**Download and try
Eliwell AIR**

- 1 Download Eliwell AIR app
- 2 Add new device clicking on “+”
- 3 Tap on device name when recognized
- 4 Enter bluetooth password **123456**
- 5 Tap **Resources** and select the ones you want to try!

*HACCP Module to be ordered separately.

EWRC 5000 - 5010 - 5030

Technical data



	EWRC 5000 NT	EWRC 5010 NT	EWRC 5030 NT
Dimensions	450x380x160 mm		
Enclosure	PC + ABS		
Enclosure rating	IP65		
Installation	Wall		
Display	3 digits + sign and 4 digits		
Display range	NTC: -50...110 °C / PTC: -55...150 °C		
Resolution	0.1 °C		
Analogue inputs	3 x NTC / PTC*		
Digital inputs	2 voltage-free inputs		
Control type	Single-phase		Three-phase
Connections	Screw terminals	Screw terminals on DIN rail	
Auxiliary protection	-	Specific magneto-thermal switch	
RTC	Present		
HACCP	Present		
Connectivity	TTL serial port for HACCP Module and Unicard; RS485** port for Televis supervision system and Modbus RTU systems.		
Power supply	230 Vac +/-10 % 50/60 Hz	230 Vac (phase + neutral + ground)	400 Vac (3phase + neutral + ground)
Mains switch	-	Two-pole magneto-thermal switch	Four-pole magneto-thermal switch
Operating temperature	-5...35 °C (Max 40 °C non continuous)		
Operating humidity	10...90 % RH (non condensing)		

* configurable by user - ** with optional plug-in accessory

Table of codes

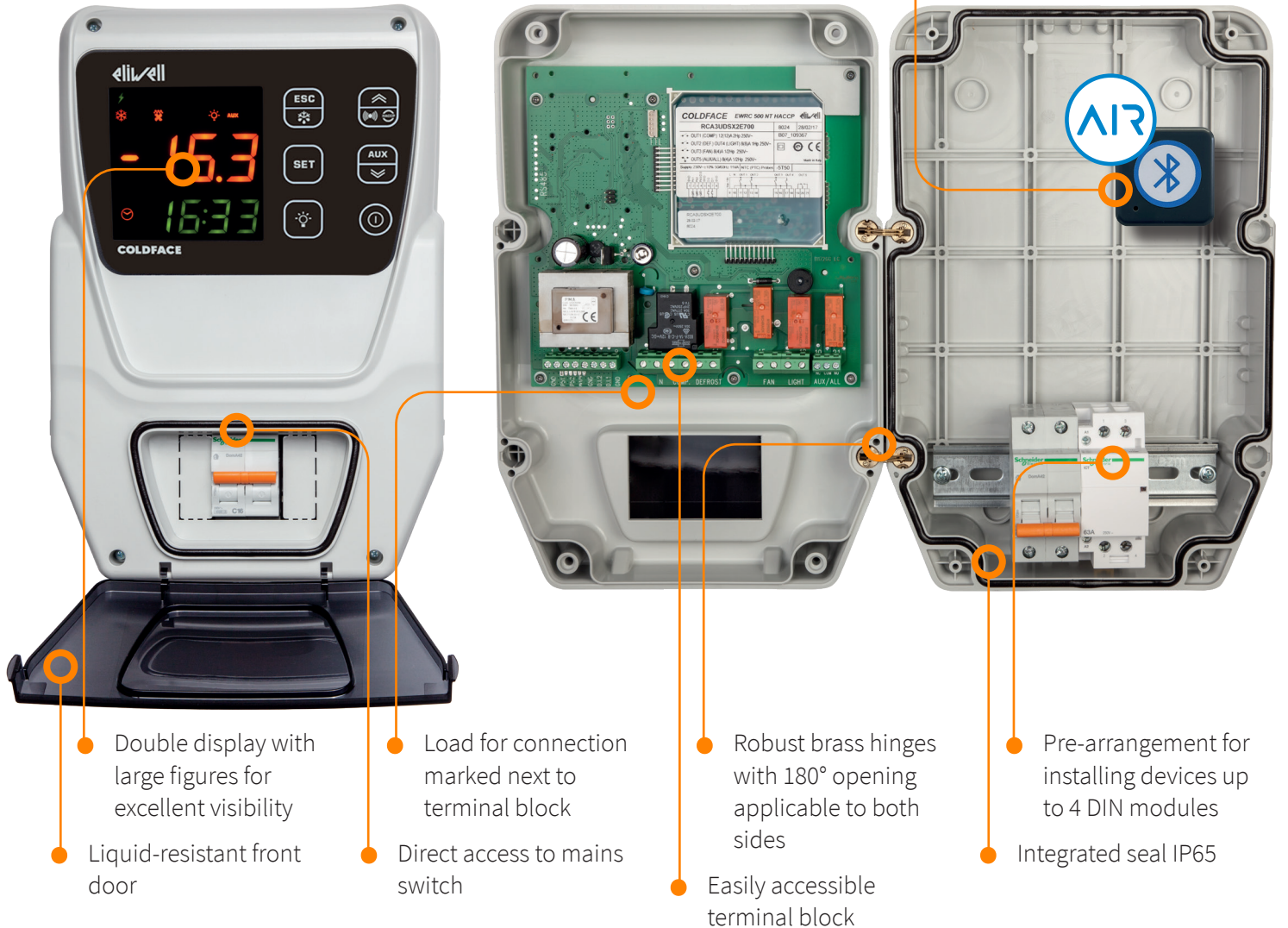
Code	Description	Notes
RCNH300DTX*700	EWRC 5000 NT HACCP BZ AIR	Electronic Controller only
RCNH301DTX*700	EWRC 5010 NT HACCP BZ 2.5-4A 230Vac AIR	HACCP/Buzzer/RTC/AIR
RCNH302DTX*700	EWRC 5010 NT HACCP BZ 4-6.3A 230Vac AIR	HACCP/Buzzer/RTC/AIR
RCNH303DTX*700	EWRC 5010 NT HACCP BZ 6-10A 230Vac AIR	HACCP/Buzzer/RTC/AIR
RCNH304DTX*700	EWRC 5010 NT HACCP BZ 13-18A 230Vac AIR	HACCP/Buzzer/RTC/AIR
RCNH305DTX*900	EWRC 5030 NT HACCP BZ 2.5-4A 400Vac AIR	HACCP/Buzzer/RTC/AIR
RCNH306DTX*900	EWRC 5030 NT HACCP BZ 4-6.3A 400Vac AIR	HACCP/Buzzer/RTC/AIR
RCNH307DTX*900	EWRC 5030 NT HACCP BZ 6-10A 400Vac AIR	HACCP/Buzzer/RTC/AIR
RCNH308DTX*900	EWRC 5030 NT HACCP BZ 9-14A 400Vac AIR	HACCP/Buzzer/RTC/AIR
RCNH309DTX*900	EWRC 5030 NT HACCP BZ 13-18A 400Vac AIR	HACCP/Buzzer/RTC/AIR
RCNH310DTX*900	EWRC 5030 NT HACCP BZ 17-20A 400Vac AIR	HACCP/Buzzer/RTC/AIR
RCNH311DTX*900	EWRC 5030 NT HACCP BZ 6kW AIR	HACCP/Buzzer/RTC/AIR/Evaporator with 6 kW electric defrost system
RCNH312DTX*900	EWRC 5030 NT HACCP BZ 12kW AIR	HACCP/Buzzer/RTC/AIR/Evaporator with 12kW electric defrost system

*The number in this position indicates the language available for the code: 1: ITA-ENG 2: ENG-AR 3: ITA-SPA 4: FRA-GER 5: GRE-RUS



EWRC 300 NT - EWRC 500 NT

General specifications



Download and try
Eliwell AIR

- 1 Download Eliwell AIR app
- 2 Add new device clicking on “+”
- 3 Tap on device name when recognized
- 4 Enter bluetooth password **123456**
- 5 Tap **Resources** and select the ones you want to try!

Line of electronic controllers for single-phase cold rooms, with direct control of compressors up to 2 HP, evaporator fan, defrost heater, cold room light and alarm.

Front door providing water-splash protection for the interior accommodating up to 4 DIN modules, with direct access to the magneto-thermal mains switch.

Connection to Televis or ModBus supervision systems possible with opto-isolated plug-in accessory.

The product is certified compliant with the European directives regulating low-voltage switchgear for installation on machinery (EN61439 - EN60204).

EWRC 300 NT - EWRC 500 NT

Technical data



	EWRC 300 NT	EWRC 500 NT	EWRC 500 NT BREAKER
Dimensions	213x318x102 mm		221x318x107 mm
Enclosure	PC + ABS		
Enclosure rating	IP65		
Installation	Wall		
Display	3 digits + sign and 4 digits		
Display range	NTC: -50...110 °C / PTC: -55...150 °C		
Resolution	0.1 °C		
Analogue inputs	3(2) x NTC / PTC*		
Digital inputs	2(3) voltage-free		
Digital outputs (default config. *)	12(12) A 2 HP 250 Vac SPST		
Compressor			
Defrost	8(8) A 1 HP 250 Vac SPST		
Evaporator fan	8(4) A ½ HP 250 Vac SPST		
Light	-	8(8) A 1 HP 250 Vac SPST	
Alarm	-	8(4) A ½ HP 250 Vac SPST	
Connections	Screw-type		
RTC Clock	Optional		
HACCP	Optional		
Connectivity	TTL serial port for HACCP Module and Unicard; RS485** port for Televis supervision system and Modbus RTU systems.		
Power supply	230 Vac / 11 VA		
Interruttore	-	230 Vac Icn 4500 A 2P	
Nominal current	-	In = 16 A	
Pulse voltage	-	4 KV	
Operating temperature	-5...+50 °C		
Operating humidity	10...90 % RH (non condensing)		

* configurable by user

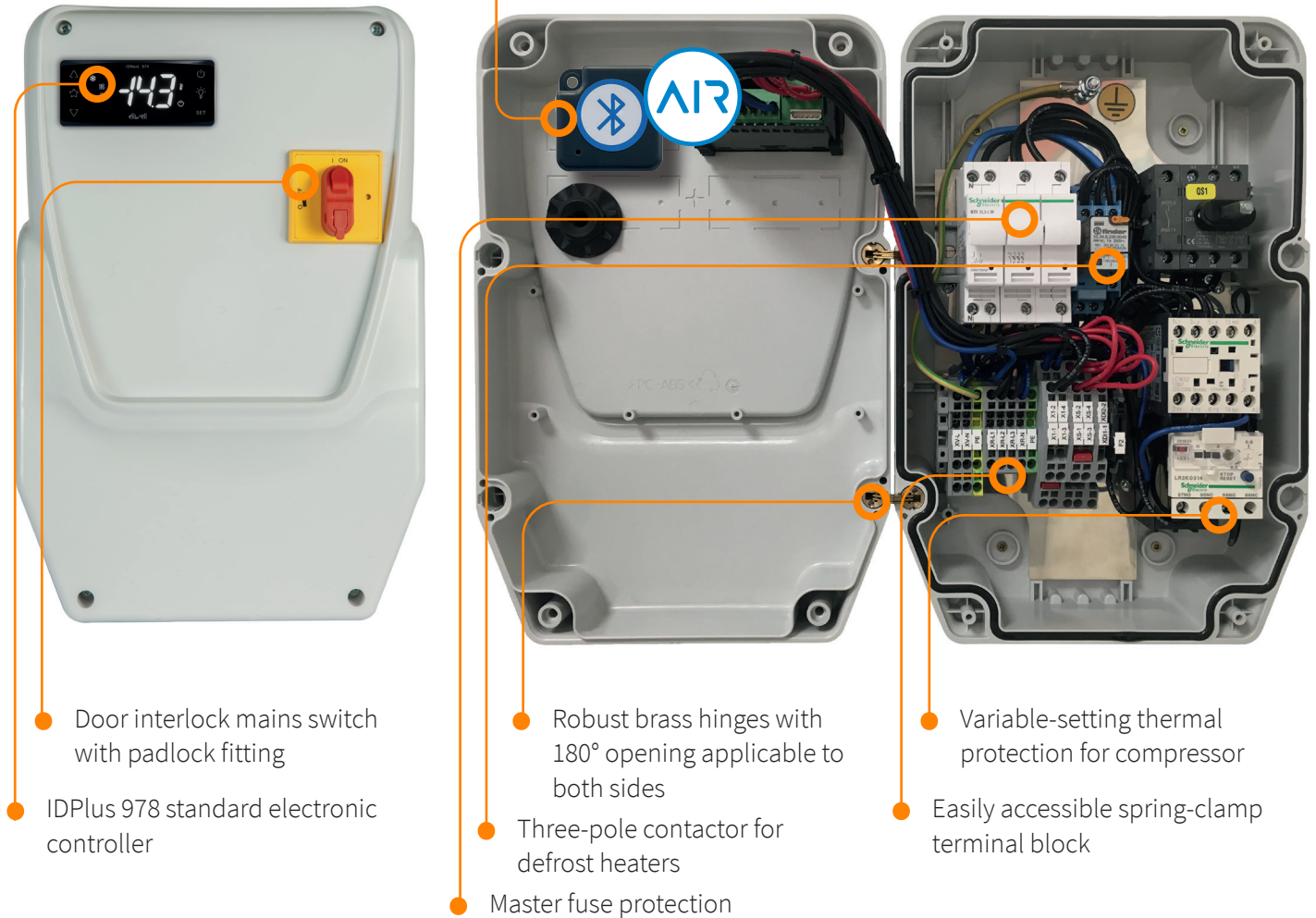
Table of codes

Code	Description	Notes
RCNS3HDLX2*700	EWRC 300 NT 2HP BUZZER AIR	Buzzer/AIR
RCNS3UDLX2*700	EWRC 500 NT 2HP BUZZER AIR	Buzzer/AIR
RCNS3UDTX2*700	EWRC 500 NT 2HP RTC HACCP BUZ AIR	HACCP/BUZZER/RTC/AIR
RCNA3UDLX2*700	EWRC 500 NT 2HP BUZZER 4DIN AIR	Buzzer/DIN rail/AIR
RCNA3UDTX2*700	EWRC 500 NT 2HP RTC HACCP BUZ 4DIN AIR	HACCP/BUZZER/RTC/DIN RAIL/AIR
RCNA3UDRX2*700	EWRC 500 NT 2HP BUZ 4D W\B AIR	Buzzer/DIN rail with Circuit Breaker/AIR
RCNA3UDSX2*700	EWRC 500 NT 2HP RTC HACCP BUZ 4D W\B AIR	HACCP/Buzzer/RTC/DIN rail with Circuit Breaker/AIR
KP00Q1S0	RS485 Plugin 40x49mm screw terminals	Optional module

* The number or letter in this position indicates the language available for the code:
 0: ITA; E: ENG; F: FRA; G: GER; O: POL; R: RUS; S: SPA; T: TUR; U: Arabic; W: SWE; Z: BRA

IDNext Panel 978

General specifications



Download and try
Eliwell AIR

Line of electrical switchboards for complete control of cold rooms, single-phase or three-phase, with direct control of compressor with variable-setting thermal protection, evaporator fan, defrost heater and cold room light. The use of the widely adopted, well known IDPlus 978 standard controller ensures extremely simple commissioning and use.

All connections are on convenient spring-clamp terminal blocks, which combine with efficient enclosure layout for quick, easy electrical connections.

The electronic controller can be connected to Televis or ModBus supervision systems by means of the BusAdapter external accessory.

The product is certified compliant with the European directives regulating low-voltage switchgear for installation on machinery (EN61439 - EN60204).

IDNext Panel 978

Technical data



	IDPanel 978 5.5-8A 230 Vac	IDPanel 978 8-11A 230 Vac	IDPanel 978 3.7-5.5A 400 Vac	IDPanel 978 5.5-6 A 400 Vac
Dimensions	213x318x102 mm			
Enclosure	PC + ABS			
Installation	Wall			
Display	3Digits + sign			
Display range	NTC: -50...110 °C / PTC: -55...140 °C / Pt1000: -55...150 °C			
Resolution	0.1 °C			
Analogue inputs	2 PTC / NTC / Pt1000*			
Digital inputs	1 digital (SELV) / analogue (PTC / NTC / Pt1000) / 1 digital (SELV) / serial TTL*			
Control type	Single-phase		Three-phase	
Compressor	1PH 5.5 - 8.0 A	1PH 8.0 -11.0 A	3PH 3.7 - 5.5 A	3PH 5.5 - 6.0 A
Defrost	1PH 800 W		3PH 2400 W	
Evaporator fan	1PH 800 W			
Light	1PH 800 W			
Connections	Screw terminals on DIN bar			
Connectivity	TTL port for connection to HACCP Module, Unicard or TelevisSystem/ModBus monitoring device*			
Power supply	230 Vac (phase + neutral + ground)		400 Vac (3phase + neutral + ground)	
Door interlock mains switch	25 A			
Operating temperature	-5...+40 °C			
Operating humidity	10...90 % RH (non condensing)			
General protection	Fuses			
Motor protection	Thermal relay			

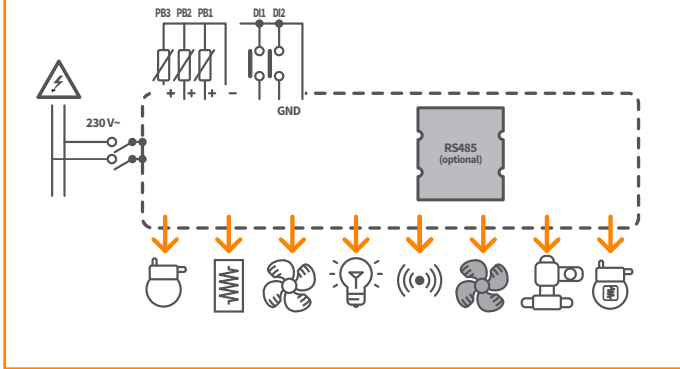
* configurable by user

Table of codes

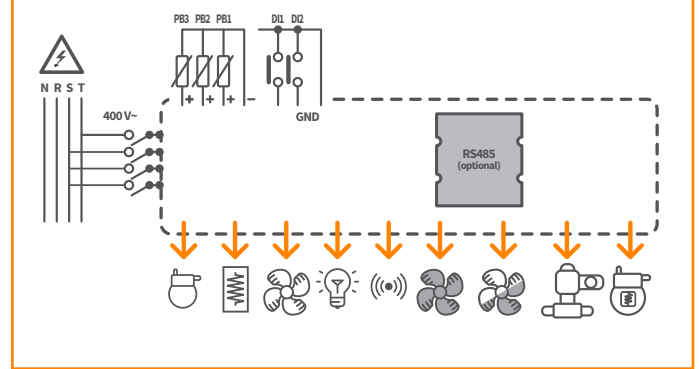
Code	Description	Notes
ELNP300DSX0700	IDNext Panel 978 5.5-8A 230Vac AIR	HACCP/Buzzer
ELNP301DSX0700	IDNext Panel 978 8-11A 230Vac AIR	HACCP/Buzzer
ELNP302DSX0900	IDNext Panel 978 3.7-5.5A 400Vac AIR	HACCP/Buzzer
ELNP303DSX0900	IDNext Panel 978 5.5-6A 400Vac AIR	HACCP/Buzzer
ELNP303DSXU900	IDNext Panel 978 AR/EN 5.5-6A 400Vac AIR	HACCP/Buzzer

Functional diagrams

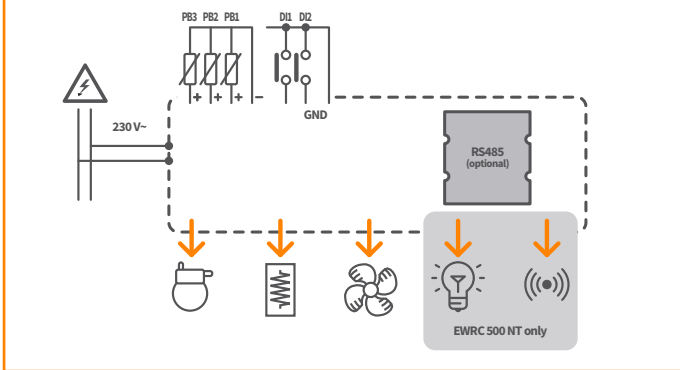
EWRC 5010 NT



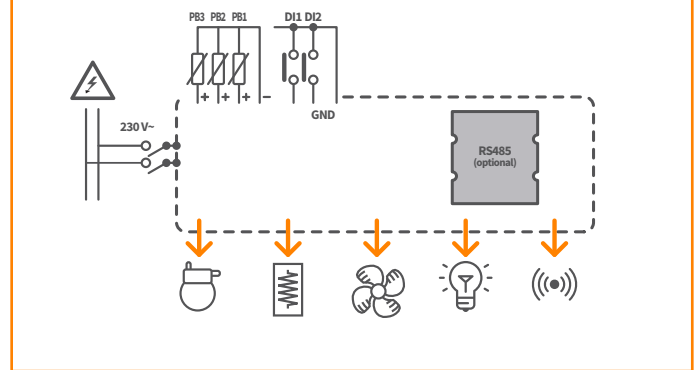
EWRC 5030 NT



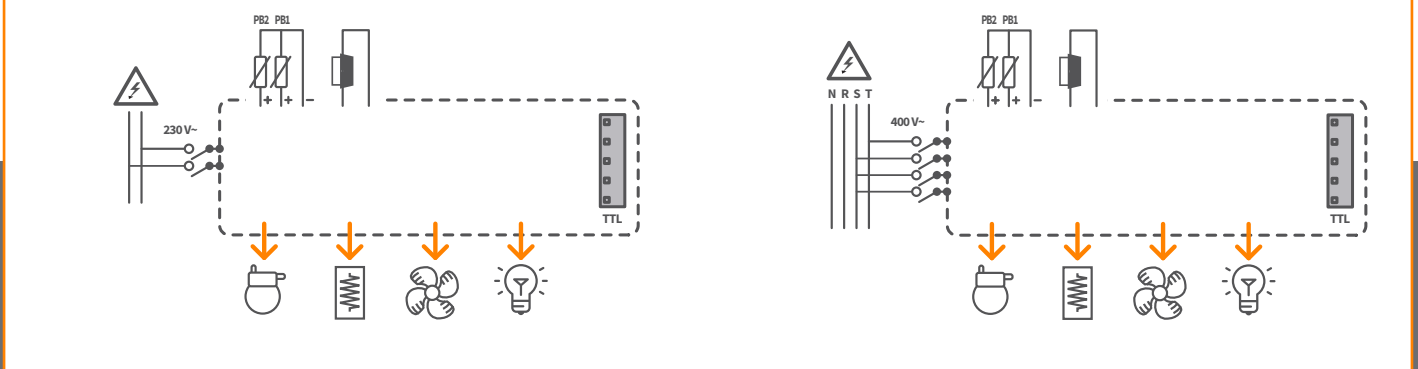
EWRC 300 - 500 NT



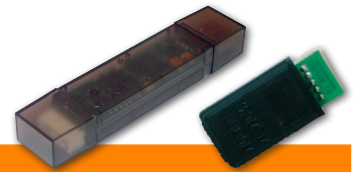
EWRC 500 NT 4D



IDPanel 978



Accessories



Interfaces, programming keys

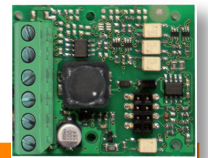
Code	Description
ADBT50005110H0	HACCP Module
CC0S00A00M000	Copy Card Programming key for loading/downloading parameters
CCA0BHT00UU00	UNICARD USB/TTL

Temperature probes



Code	Description
SN691150	1.5m thermoplastic rubber cable NTC IP68 and 5X20mm thermoplastic tip
SN8DED11502C0	1.5m thermoplastic rubber cable NTC IP68 and 5X20mm thermoplastic tip
SN8DAE11502C0	1.5m thermoplastic rubber cable NTC IP68 and 6X20mm Steel tip
SN8DED13002C0	3m thermoplastic rubber cable NTC IP68 and 6X20mm Steel tip
SN8DAE13002C0	3m thermoplastic rubber cable NTC IP68 and 6X20mm Steel tip

RS485 plug-in (for EWRC 300 - 500 - 5010 - 5030 NT)



Code	Description
KP00Q150	RS485 Plug-in 40x49mm screw terminals

Other accessories (for EWRC 300 - 500 and IDPanel 978)

Code	Description
ZZ000292	Plug cover TDI 20 (12pcs)
ZZ000291	Brass hinge (12 pcs)



Eliwell Digital Experience

INNOVATION HUB

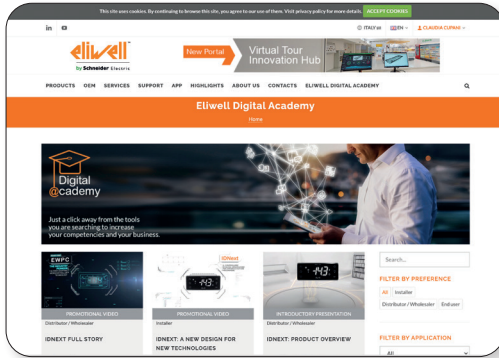


ACCESS HERE



Experience digitization through a showroom that replicates real-world scenarios. Re-imagine the Food Retail business with solutions from Eliwell and Schneider Electric.

DIGITAL ACADEMY



ACCESS HERE

Your digital space to find out, choose and make the most effective use of Eliwell's products and solutions. Just a click to increase your competencies and your business.



REGISTER NOW



UPDATE CENTER

The easiest way to know what's new in the Eliwell world: documentation, software, available training resources and real application. Set your preferences and stay always up to date!





Life Is On



ITALY - HEADQUARTERS

Eliwell Controls Srl

Via dell' Industria, 15 Z. I. Paludi

32016 Alpago (BL) - Italy

T +39 0437 986 111

Sales

T +39 0437 986 100 (Italy)

T +39 0437 986 200 (other countries)

E saleseliwell@schneider-electric.com

Technical support

T +39 0437 986 300

E techsuppeliwell@schneider-electric.com



Contact us!

Learn
more about
Coldface



www.eliwell.com

Follow us on  

CT123386 • rel. 06/22
© 2022 Eliwell - Tutti i diritti riservati.

Since 1980, Eliwell has been developing and manufacturing control systems, solutions and services for both commercial and industrial refrigeration units. It embodies the success story of an Italian company that has brought Made in Italy technological developments to the world for over 40 years. In 2014, it became part of the Schneider Electric group and remains its centre of excellence for HVACR applications. Together with Schneider Electric, Eliwell is now the global partner providing efficient and sustainable solutions and services for food storage and distribution systems, and for integrated resource control of environmental comfort installations.