

DATA SHEET

# Si-83 Pack 1

## Tank Pump

Sauerermann® part #: SI83CE01UN23 - SI83CE41UN23 - SI83CE71UN23



### The Tank Pump Re-Invented

Sauerermann engineers have redesigned the tank pump from the inside-out, making the Si-83 more compact than any other tank pump in its class, all while redefining just how easy tank pump installation and maintenance can be in the field. The Si-83 even comes with a customized Smartphone App that makes installation both simple and intuitive.

The Si-83 is constructed from rugged materials and components for exceptional durability and reliability. The Si-83 tank pump from Sauerermann is perfect for residential A/C (up to 20 kW) and heating units (up to 40 kW).

### Benefits



#### Exceptional Durability and Reliability

- Float design resistant to fouling
- Stainless steel motor shaft
- Tolerates acidic condensates (pH >2.5) produced by gas-condensing boilers



#### Quick & Easy Maintenance

- No need to remove pump from installation to clean
- Removable anti-return valve
- Maintenance function in the Smartphone App (available for both iOS and Android devices)



#### Quick & Easy Installation in any place

- Designed for intuitive installation
- Can be floor-mounted, wall-mounted, or suspended from the ceiling
- Can be easily installed whatever the lay out of the premises thanks to its very compact profile: 129 mm in height
- 5 inlet options for unmatched versatility Ø 30 mm: 4 on top, 1 on the side for low condensate entry
- Rod mounting system makes levelling easy
- Customized Smartphone App (available for both iOS and Android devices)



#### Regular duty

- Max. pressure: 5.7 m
- IP 44
- 2-Liter tank capacity

### Kit content

- One-piece centrifugal pump with 2 l tank
- Integrated barb end check valve, Ø ext. 10 mm
- 1.8 m power cord, plug
- Built-in safety switch, 1 m wires, plug, NC (SI83CE01UN23), NO (SI83CE41UN23) or NC/NO (SI83CE71UN23)
- 2 screws, 2 plugs
- Straight connector with tube and ziptie for Ø 6 mm int. tubes

## Technical specifications




Tank capacity	2 l
Mains supply	230 V~ 50 Hz - 115 W – 1.4 A
Max discharge head	5.4 m (65 l/h)
Max pressure (flow rate 0)	5.7 m
Sound level in application at 1m	≤ 45 dBA (Measured in Sauermann acoustic lab, pump operating with water)
Max condensate temperature	55°C, 80°C short peaks 10 minutes
Max condensate acidity	pH > 2.5 (Gas condensing boilers)
Pump Weight (with packaging)	1.83 kg
Box dimensions	L 315 mm x W 151 mm x H 175 mm
Masterpack	L 780 mm x W 332 mm x H 203 mm
Pallet quantity	105 pieces (EUR size)
Safety switch	SI83CE01UN23: NC: 5 A resistive 250 V SI83CE41UN23: NO: 5 A resistive 250 V SI83CE71UN23: NC/NO: 5 A resistive 250 V
Thermal protection (overheating)	Yes: 120°C (auto reset)
Operating conditions	7%: 16s ON - 212s OFF
Class	I
IP index	IP44
Safety standard	SI83CE01UN23: CE / EAC (Q2/2020) SI83CE41UN23 & SI83CE71UN23: CE
RoHS directive	Compliant
WEEE directive	Compliant

## Applications

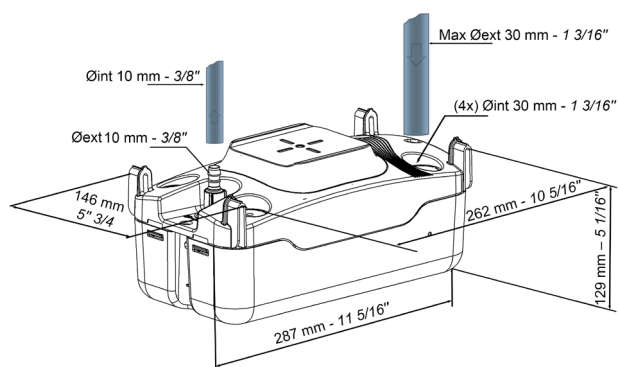
Residential applications:  
Air-conditioning up to 20 kW  
Heating up to 40 kW

- Gas condensing boilers
- Condensing high efficiency gas furnaces

## Accessories

Name	#Part
 Clear PVC tubing Ø int. 10 mm, 25 m roll	ACC00911 ACC00915 (braided)
 Non-Return Check valve for Ø ext. 10 mm tubes	ACC00925
 3 size multi adaptor to be used for Ø 15/17 - 20 - 24/25 - 32 - 40 mm tubes	ACC00939

## Dimensions



## Condensate inflow rate (l/h)

Discharge head	Total tube length using Ø int. 10 mm			
	5 m	10 m	20 m	30 m
1 m	26	23	17	13
2 m	22	19	14	13
3 m	19	16	11	8
4 m	13	10	7	6
5 m	8	6	4	-