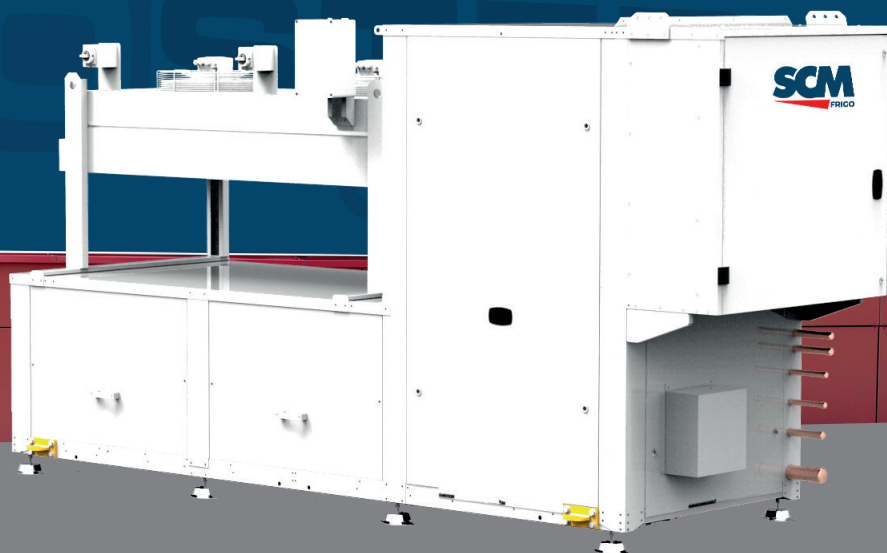


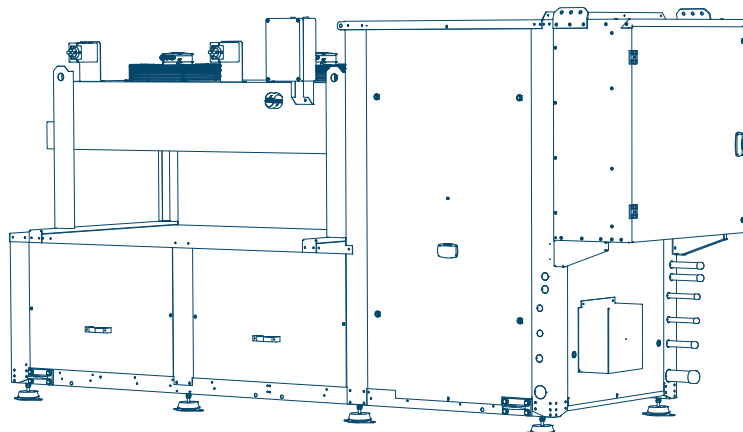
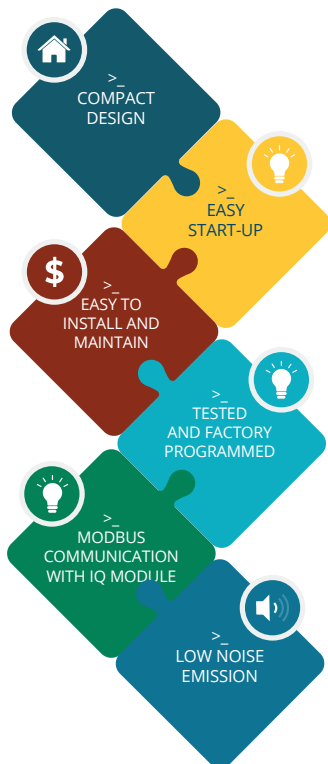


Smart Solutions for **Outdoor Applications**

CO₂ transcritical racks



Low
Noise



Common DATA

Liquid receiver volume [liters]	70
Cooling capacity modulation MT with Varistep [%]	25-100%
Electrical supply [V/ph/Hz]	400/3+N/50

Standard GAS COOLER FEATURES

High strength copper tubes – aluminium fins
2 x EC fans
Repair switch for each fan

Optional

Frequency Inverter LT 30-70 HZ
Heat Recovery + 3-way Valve
Energy Meter
CAREL controller, HP-MP valves

Standard EQUIPMENT

Electronic oil level regulator Traxoil each compressor
Replaceable oil filter dryer
Maintenance free oil separator with integrated oil reservoir
Electronic minimum liquid level switch
Liquid-Flash internal heat exchanger
Danfoss AKPC 572 with Modbus communication with Bitzer IQ module
Discharge Manifold connected to safety valves
Full factory testing and parameters setting

Standard DESIGN PRESSURES

High Pressure: 120 bar
Receiver Pressure: 80 bar
MT Suction Pressure: 60 bar (optional 80bar)
LT Suction Pressure: 60 bar (optional 80bar)

UNIT MODEL	Qo MT		Qo LT	Gas cooler fans n x mm	Dimensions LxWxH mm	lmax A	LRA A	Pmax kW	Weight kg	Sound Power dB(A)	Sound Pressure @10m dB(A)
	min kW	max kW	kW								
MT ONLY											
PNC-MWS 2x043 MTDX	2,08	16,60	-	2x450	FRAME A	21,9	124,4	11,8	1041	61	33
PNC-MWS 065+043 MTDX	2,73	21,80	-	2x450	FRAME A	27,1	144,6	14,5	1072	62	34
PNC-MWS 2x065 MTDX	3,38	27,00	-	2x500	FRAME A	32,5	164,8	17,2	1078	61	33
PNC-MWS 096+065 MTDX	4,18	33,40	-	2x500	FRAME B	0,6	179,4	21,5	1153	62	34
PNC-MWS 2x096 MTDX	4,98	39,80	-	2x500	FRAME B	45,4	194,0	25,8	1167	63	35
PNC-MWS 096 + 2x065 MTDX	3,88	46,50	-	2x630	FRAME B	54,4	261,8	30,8	1168	63	35
PNC-MWS 2x096+065MTDX	4,43	53,10	-	2x630	FRAME B	60,8	277,4	35,1	1205	66	38
PNC-MWS 3x096 MTDX	4,96	59,50	-	2x630	FRAME B	67,2	291,0	38,7	1255	70	42
BOOSTER MT/LT											
PNC-MWS 2x043 MTDX + UMCE 007 HBT	1,53	12,21	3,30	2x450	FRAME A	24,8	150,4	12,9	1586	62	34
PNC-MWS 065+043 MTDX + UMCE 007 HBT	2,18	17,40	3,30	2x450	FRAME A	30,0	170,6	15,6	1593	62	34
PNC-MWS 2x065 MTDX + UMCE 007 HBT	2,83	22,60	3,30	2x500	FRAME A	35,4	190,8	18,3	1667	61	33
PNC-MWS 2x065 MTDX + UMCE 010 HBT	2,54	20,35	5,20	2x500	FRAME B	36,3	190,8	19,1	1675	61	33
PNC-MWS 096+065 MTDX + UMCE 010 HBT	3,34	26,72	5,20	2x500	FRAME B	42,7	205,4	23,4	1695	63	35
PNC-MWS 2x096 MTDX + UMCE 010 HBT	4,14	33,15	5,20	2x500	FRAME B	49,1	220,0	27,7	1705	63	35
PNC-MWS 2x096 MTDX + UMCE 020 HBT	4,00	32,00	6,61	2x500	FRAME B	50,6	231,0	28,3	1715	63	35
PNC-MWS 2x096+065MTDX + UMCE 020 HBT	3,72	44,60	6,61	2x630	FRAME B	66,1	313,4	36,9	1800	66	38
PNC-MWS 3x096 MTDX + UMCE 020 HBT	4,24	50,90	6,61	2x630	FRAME B	72,5	328,0	41,2	1850	70	42
PNC-MWS 2x096+065MTDX + UMCE030HBT	3,54	42,50	8,53	2x630	FRAME B	67,0	320,4	37,5	1805	66	38
PNC-MWS 3x096 MTDX + UMCE 030 HBT	4,07	48,85	8,53	2x630	FRAME B	73,4	335,0	41,8	1855	70	42
PNC-MWS 096+065 MTDX+ UMCE 2x007 HBT	3,14	25,10	6,57	2x500	FRAME B	44,8	231,4	23,7	1783	63	35
PNC-MWS 2x096 MTDX+ UMCE 2x007 HBT	3,94	31,50	6,57	2x500	FRAME B	51,1	246,0	28,0	1691	63	35

MT Cooling Capacity @ -8°C (50 Hz) | Tout. GC = 35° | LT Cooling Capacity @ -30°C (50 Hz)

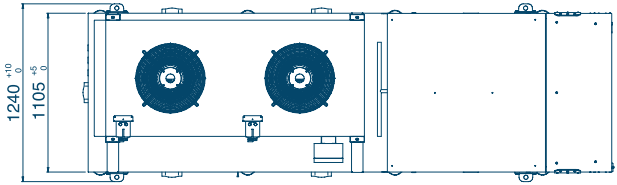
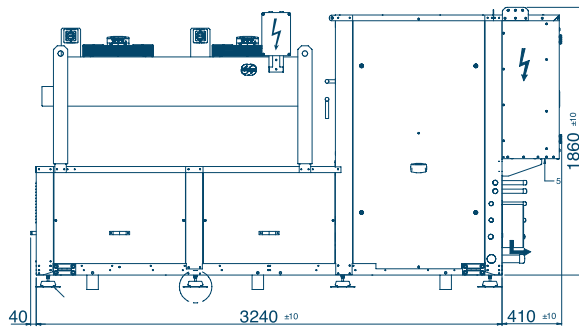
FRAME A: 3650x1105x1860 - FRAME B: 4250x1105x1900

COMPRESSOR BITZER MODEL

MT CP 043	4PTE-6K
MT CP 065	4MTE-7K
MT CP 096	4KTE-10K
LT CP 007	2MME-07K
LT CP 010	2KME-1K
LT CP 020	2JME-2K
LT CP 030	2HME-3K

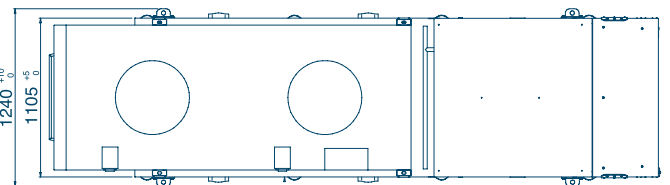
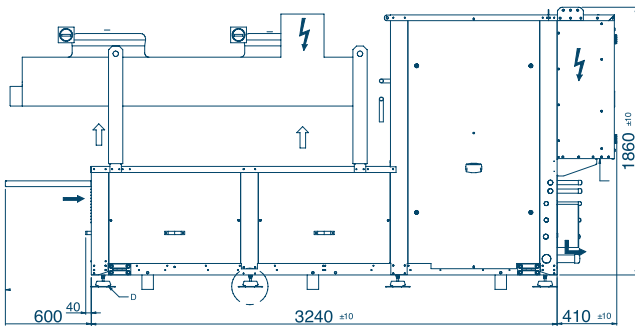
Dimensions

FRAME A



3650x1105x1860

FRAME B



4250x1105x1900

Products / Applications Range

- Small Shops
- Restaurants
- Catering
- Petrol Stations

Commercial Refrigeration

- Convenience stores
- Express supermarkets

- Supermarkets
- Coldrooms for food storing

Industrial Refrigeration

- Food processes
- Hypermarkets
- Logistic Centers

BOOSTER - MWT

LEAN BOOSTER - MWL

SMART BOOSTER - MWS

