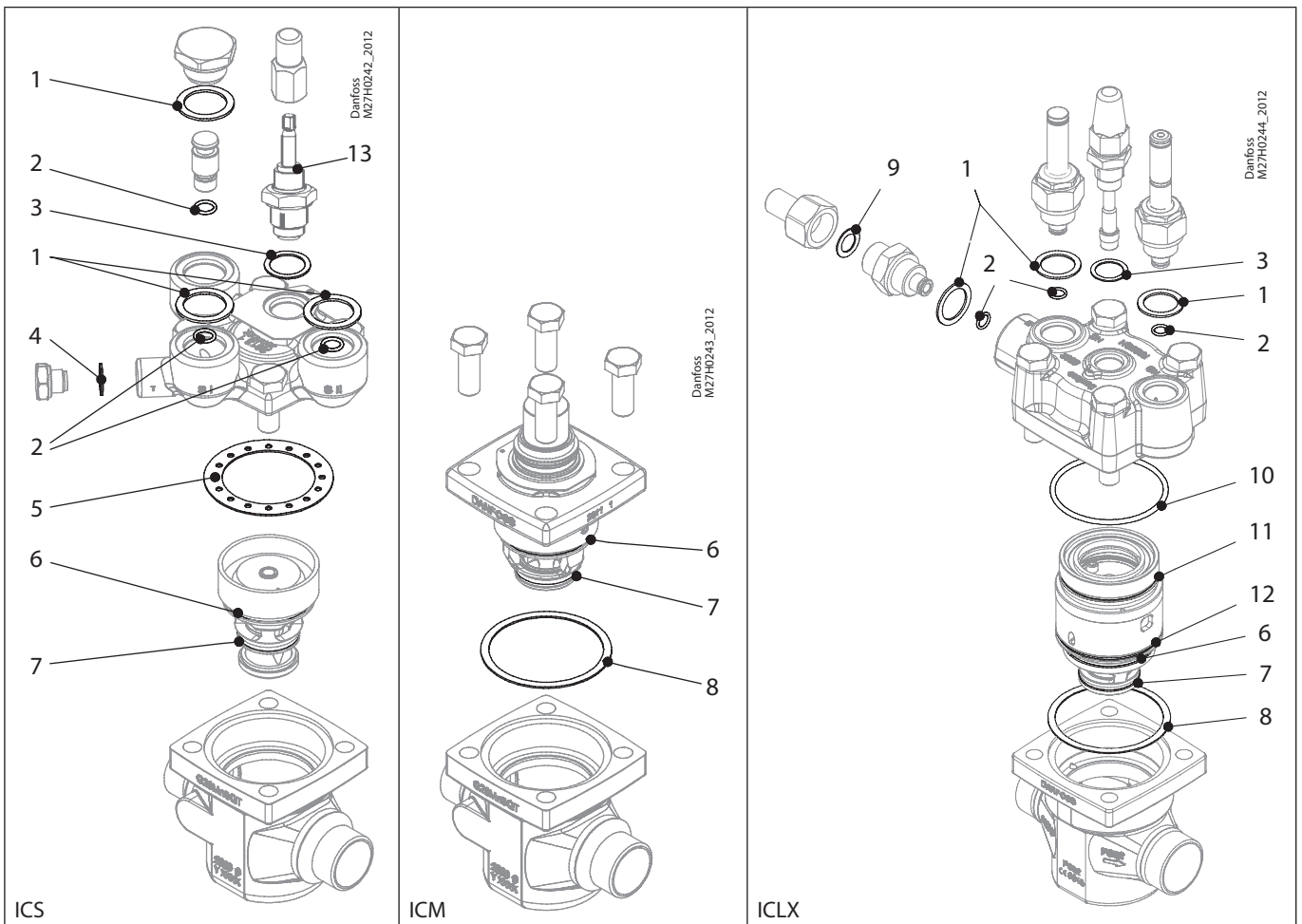


Installation guide – Spare parts and accessories

Inspection kit | Code number 027H3016
ICS, size 32 (1-3) / ICM, size 32 / ICLX, size 32



| | | | | |
|---|--|---|---|---|
| <p>1 = Fibre</p> <p>Total no. = 3</p> | <p>2 = Al.</p> <p>Total no. = 3</p> | <p>3 = Al.</p> <p>Total no. = 1</p> | <p>4 = Al.</p> <p>Total no. = 1</p> | <p>5 = Fibre</p> <p>Total no. = 1</p> |
| <p>6 = Al.</p> <p>Total no. = 1</p> | <p>7 = Al.</p> <p>Total no. = 1</p> | <p>8 = Fibre</p> <p>Total no. = 1</p> | <p>9 = Al.</p> <p>Total no. = 1</p> | <p>10 = Al.</p> <p>Total no. = 1</p> |
| <p>11 = Al.</p> <p>Total no. = 1</p> | <p>12 = Al.</p> <p>Total no. = 1</p> | <p>13 = Al.</p> <p>Total no. = 1</p> | | |