

ENGINEERING
TOMORROW

Danfoss

AB-QM™ Valves

Achieving **Energy Efficiency** & **Comfortable Classroom** Settings In Universities

Learn how AB-QM™ Pressure Independent Temperature Control Valves (PICVs) have been increasing student comfort, reducing noise/complaints, and providing substantial energy savings for Universities.

20-50%

**HVAC Energy
Consumption
Savings** by installing
the AB-QM specialty
control valve.



Scan to access
ABQMvalves.com

www.ABQMvalves.com

EXPERIENCING PROBLEMS WITH YOUR HVAC SYSTEM?

- Student Comfort Issues?
- Room Temperature Complaints (Some are hot, others are cold)?
- Increased Maintenance Costs?
- Noise issues?
- Balancing and Flow Issues?
- Wasted energy?

So what if there was a way to:

- ✓ **Reach federal energy reduction requirements by cutting energy consumption?**
- ✓ **Increase classroom comfort?**
- ✓ **Reduce complaints & minimize maintenance?**

Would you be interested?...



INTERESTED IN A MORE EFFICIENT SOLUTION?

**ENERGY
SAVING
DEVICE**

Danfoss AB-QM™ Pressure Independent Control Valves

The AB-QM™ is a specialty control valve that provides flows to match loads & **cuts energy consumption for HVAC by 20-50%!**

How They Work:

- *Continual Balancing function maintains system performance even at varying loads!*
- Pressure Regulator **eliminates over-pumping** providing favorable energy savings!
- AB-QM™ valves **prevent energizing additional chillers (\$\$\$)** by *maintaining desired Delta T.*
- AB-QM™ valves **improve system operation** reducing equipment requirement.



Treat the Cause, Not the Symptom!

AB-QM™ BENEFITS EVERYONE INVOLVED...



Student/Professor

Benefits Include:

- **Comfortable** Room Temperatures
- Less Noise
- More Conducive Learning Environment
- Overall Better Reputation



Facility Director

Benefits Include:

- **Happy Students & Professors**
- **Real Energy Savings \$\$\$**
- Maintenance Minimized
- System Back into Proper Balance (Less Problems, Less Calls)
- Less Classroom Noise
- Perfect Classroom/Laboratory Temperatures



Contractor

Benefits Include:

- **Reduced installation time**
- Easy Selection - No CV calculation required
- Simplified - no need to continually rebalance system
- Compact design that saves space in small areas like air handler units
- Designed room temperatures achieved
- Less hassle with hydronic system

WHY DANFOSS IS DIFFERENT...

Danfoss AB-QM™ is the only PICV on the market with third-party testing that proves its accuracy!

- Third party testing proves accuracies of $\pm 5\%$ of setpoint
- Danfoss rated the most accurate PICV when tested with other major leading competitors on the market.¹
- Analysis indicates that the uncertainty was better than 0.25% at the 95% confidence level for each test run.²



¹ BSRIA Report 52724/1. ² Alden Research Laboratory Report No. 2141DFI001-R1.
For more information or to view the reports in entirety please contact your local representative.

UNIVERSITY PROJECT REFERENCES

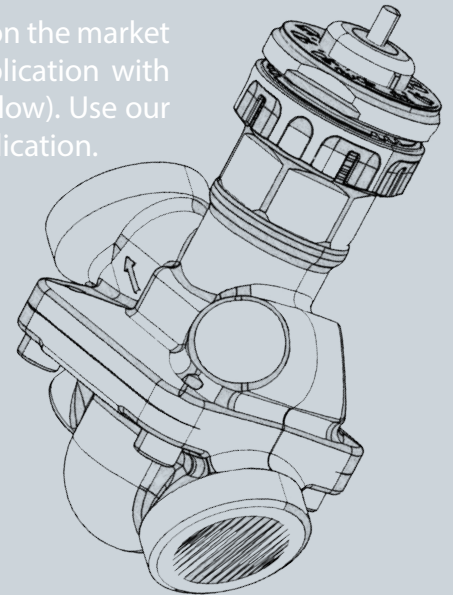
The AB-QM™ PICV has proven it's accuracy & reliability, which is evident from the list of prestigious Universities who have installed only the very best; the Danfoss AB-QM™ valve.

- Caltech
- Colorado University
- Purdue University
- Georgia Tech
- Kansas State University
- Louisiana State University
- Missouri University of Science & Technology
- Northwestern University
- Pensacola Christian College
- Purdue University
- Rochester Institute of Technology
- Syracuse University
- The Pennsylvania State University
- UC Santa Barbara
- University of Buffalo, New York
- University of California, Irvine
- University of Florida
- University of Omaha, Nebraska
- and more!

QUICK SELECT GUIDE

Danfoss knows that size matters and is the only manufacturer of PICV's on the market with sizes ranging from ½" to 10". We offer valves to fit any size application with extensive flow ranges; .25 GPM (½" Low Flow) to 1629 GPM (10" High Flow). Use our quick select guide below to find the perfect AB-QM™ valve for your application.

Valve Size	Flow Range (GPM)	Valve Size	Flow Range (GPM)
½" Low Flow	0.25 to 1.2	4" ANSI Flanged	66 to 165
½"	1.0 to 5	5" ANSI Flanged	158 to 395
¾"	1.5 to 7.5	5" High Flow	211 to 528
1"	2.4 to 12	6" ANSI Flanged	256 to 640
1-¼"	3.5 to 17.5	6" High Flow	403 to 1008
1-½"	7 to 33	8" ISO Flanged	335 to 836
2"	22 to 55	8" High Flow	440 to 1100
2 ½" ANSI Flanged	34 to 85	10" ISO Flanged	493 to 1232
3" ANSI Flanged	48 to 120	10" High Flow	652 to 1629



For more information on **AB-QM™** & how they can **help your University** please contact us!

Please contact your local representative or call: 1.866.375.4822, or email: heatingsales@danfoss.com.

Danfoss · North America · Heating Segment · 11655 Crossroads Cir. Baltimore, MD 21220
Telephone: 1.866.375.4822 · E-mail: heatingcustomerservice@danfoss.com · www.ABQMvalves.com

Danfoss can accept no responsibility for possible errors in catalogues, brochures, and other printed material. Danfoss reserves the right to alter its products without notice. This also applies to products already on order provided that such alterations can be made without subsequential changes being necessary in specifications already agreed. All trademarks in this material are property of the respective companies. Danfoss and the Danfoss logotype are trademarks of Danfoss A/S. All rights reserved.