

Date 13/5/2020  
 Customer  
 Offer



San Toribio, 6 28031 MADRID  
 +34/913030426 com@frimetal.es

**DIRECT EXPANSION EVAPORATOR**

**FRM-235**

Model Capacity **3,4 kW**  
 Required Capacity **0,0 kW**

**Materials**

Tubes Copper  
 Fins Aluminium  
 Casing Aluminun and galvanized steel white coated RAL-9002

**Duties**

Fin Spacing **4,2 mm**  
 Air Flow **1320 m<sup>3</sup>/h**  
 Air Velocity **1,67 m/s**  
 Available Air Static Pressure **0 Pa**  
 Air throw **11 m**  
 Air Inlet Temperature **3,0 °C**  
 Outlet Air Temperature **-2,4 °C**  
 Evaporating Temperature **-5,0 °C**  
 Temperature difference DT1 **8 K**  
 Refrigerant **R404A**

**Coil**

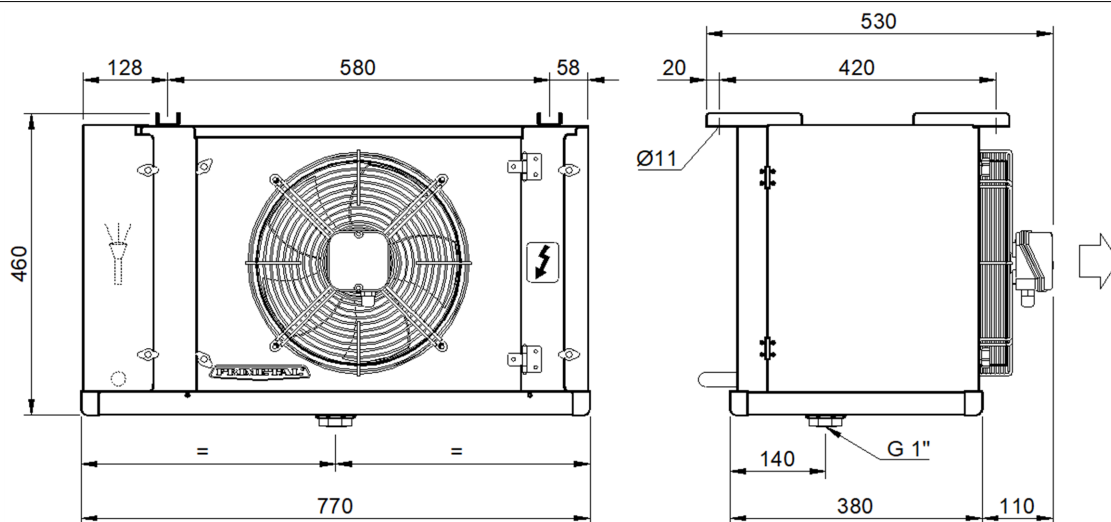
Fin Spacing **4,2 mm**  
 Finned Length **550 mm**  
 Surface **21,0 m<sup>2</sup>**  
 Internal Volume **4,5 dm<sup>3</sup>**

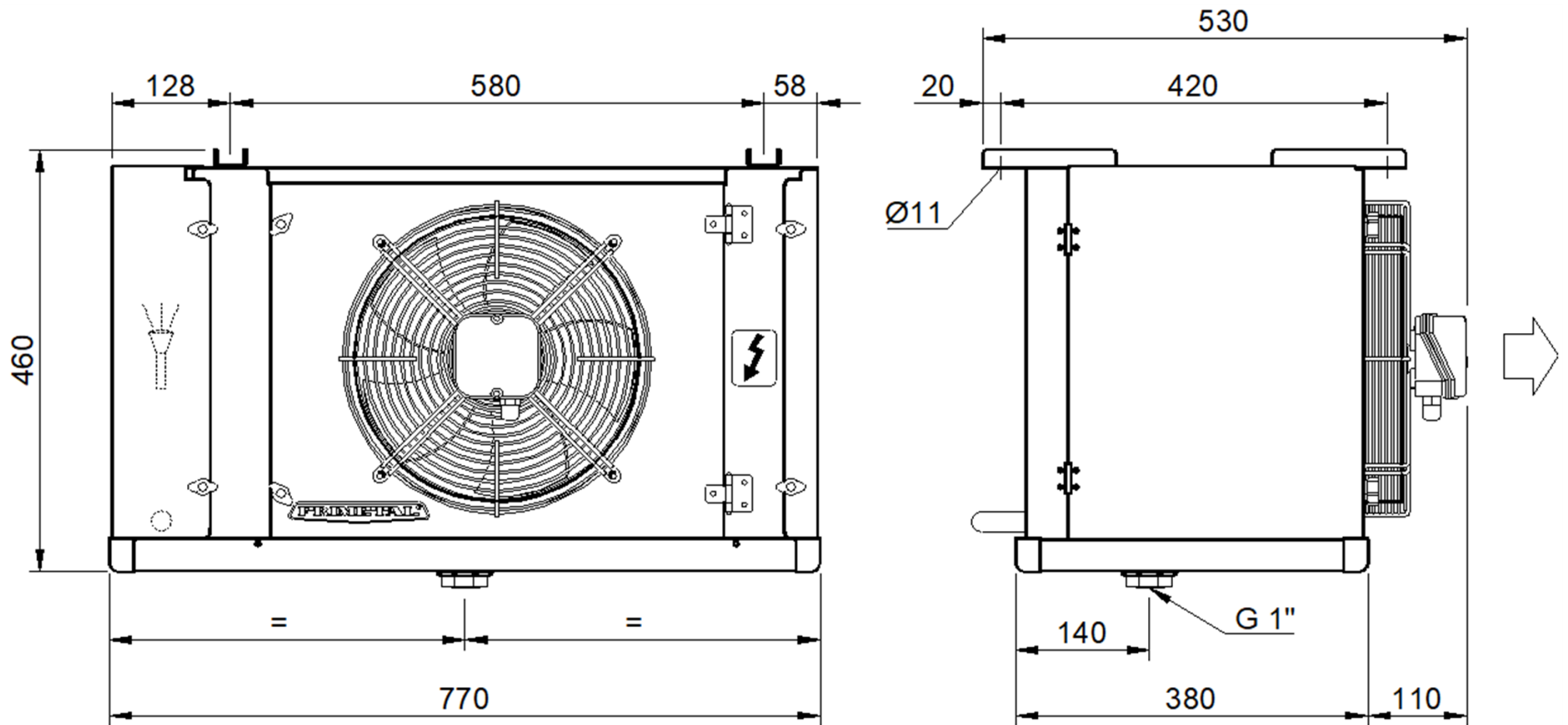
**Installer Information**

Net weight **28 kg**  
 Inlet liquid distributor **1 x 1/2" mm**  
 Outlet line **1 x 16 mm**

**AC Fan motors ErP compliant**

Power supply **1~230V/50Hz** Total absorbed power **80 W**  
 Fans Nr. **1** Total absorbed current **0,4 A**  
 Blade Diameter **300 mm** Noise Power Level **64 dB(A)**  
 Speed **1350 rpm** Noise Pressure Level **33 dB(A)**  
 Distance **10 m**





**DIRECT EXPANSION EVAPORATOR - FRM-235**



FRIMETAL, s.a.  
 San Toribio, 6  
 28031 MADRID  
 +34/913030426 - +34/917774761