

TA

Air handling unit



- Horizontal or vertical, configurations
- Available units with heat exchanger with 4-6 rows
- Version with 4 row expansion coil using R410A
- Version with extractor



DESCRIPTION

The air-conditioning units of the TA series are intended for civil, commercial and hotel systems in small to medium sized environments. They are distinguished by their compactness (a necessary requisite for false ceiling applications) and low noise. The wide range of accessories meets various system requirements.

FEATURES

Structure

Made of galvanised steel sandwich panels with polyurethane insulation (density 45 kg/m³), 15 mm thick. The intake and delivery panels are fitted with flanges for the connection to any possible air channels or accessories.

The unit is supplied with specific brackets for attaching it to the wall.

Air filtration

Filtration of the air entrusted to class G4 filters in compliance with EN779 (thickness 50mm) as per standard positioned at intake.

Ventilation group

Fans double intake centrifugal with forward blades and directly coupled motor. The 230V-50Hz single-phase motor has many speeds, of which three can be selected via the control panel.

Heat exchanger coil

4 or 6 row coils, powered with hot or cold water and made of copper piping with aluminium louvered fins blocked by mechanical expansion of the pipes. The threaded sleeves for the hydraulic connections and the air bleeding valve are supplied. The coils can be rotated on site.

The possibility to rotate the coils on site is envisioned.

Also available are coils with 4 rows with direct expansion operating with R410A fluid and post-heating coils with 2 rows realised in copper piping with aluminium louvers blocked via mechanical expansion of the pipes.

Condensate drip

Condensate drip tray interior isolated in aluminium alloy.

ACCESSORIES

AER503IR: Flush-mounting thermostat with backlit display, capacitive keypad and infrared receiver, for controlling both brushless fan coils and those with an asynchronous motor. In 2-pipe systems, the thermostat can control standard fan coils or those equipped with an electric heater, with air purifying devices (Cold Plasma and germicidal lamp), with radiant plate or with FCZ-D twin delivery (Dualjet). In addition, it can control systems with radiant panels or mixed (fan coil and radiant floor) systems. Being equipped with an infrared receiver, it can, in turn, be controlled by the VMF-IR remote control.

SAS: air probe kit (L = 15 m) with probe-locking cable grommet.

SIT3: Thermostat Interface Card allowing the creation of a network of fan coils (max. 10) commanded by a central control panel (selector or thermostat). Commands the 3 fan speeds and must be installed on each fan coil within the network; receives the commands from the selector or the SIT5 card. In case you decide to install Aermec thermostats and current absorbed by the unit exceeds 0.7 A, you're obliged to include SIT3 accessory.

SW5: water probe kit (L = 15m) with probe-holder connection point, fixing clip and probe-holder from heat exchanger.

WMT05: Electronic thermostat with thermostated ventilation.

WMT06: Electronic thermostat with continuous ventilation.

WMT10: Electronic thermostat, white, with thermostated or continuous ventilation.

VCT: These are 3-way ball valves made of bronze, with female/female connections Ø 1/2". That can be servo-activated via servo commands. The valves do not have fittings and pipes for water connections, which are the installer's responsibility.

VCT: These are 3-way ball valves made of bronze, with female/female connections Ø 1/2". That can be servo-activated via servo commands. The valves do not have fittings and pipes for water connections, which are the installer's responsibility.

VCTK: The VCT series valves can be combined with the actuators On-Off 230V. The actuator must be selected according to the type of system/adjustment provided.

VCTKM: The VCT series valves can be combined with the actuators 24V modulating. The actuator must be selected according to the type of system/adjustment provided.

M2S: Galvanised steel mixing chamber with two dampers for air calibration. Louver pitch 50 mm, the galvanised steel adjustment knob (diameter 8 mm) can be motorised.

M3S: Galvanised steel mixing chamber with three air calibration dampers and galvanised steel plates. Must necessarily be paired with the VRF accessory.

FTF: Soft bag filters. Section in galvanised steel sheet metal with F6 soft bag filters. Must necessarily be paired in the powered units.

B2R: Hot water coil with 2 rows for lines with 4 tubes. Positioned internally at the base of the equipment, downstream from the main coil.

PBE: Section with post heating coil composed of armoured heaters equipped with a double safety thermostat.

SSL: Module with seven galvanised steel sheet metal silencers and seven stone wool silencers covered by polyethylene film to prevent chipping.

SZ2: Galvanised steel opposed louvers dampers for mixing outside air with recirculating air.

VRF: Recovery fan unit equipped with electronic variable speed control. The unit is contained in a galvanised steel sheet metal section equipped with flat filters, efficiency level G4 (EN779).

SAS: Air calibration damper with galvanised sheet metal louvers to be positioned for intake. Louver pitch 50 mm; the galvanised steel adjustment knob can be motorised.

GMD: Air delivery grill with louvers that can be positioned for the delivery of air in the room to be treated. May be installed directly on the device by removing the flanges or installed on the wall.

GAP: Intake grille with louvers at a fixed 45° angle. May be installed directly on the device by removing the flanges or installed on the wall.

FPI: ISO COARSE 50% filter flange for intake at base.

PM: Plenum with circular multiple delivery, thickness 1.5 mm. The plenum is equipped with multi-diameter circular connections (200 mm, 180 mm, 150 mm) made of plastic to permit the connection of circular conduits.

PMC: Closed delivery plenum in 1.5 mm thick hot-dip galvanised sheet metal. The plenum allows for flow to be rotated by 90°. Opening the delivery outlet is the installer's responsibility.

ACCESSORIES COMPATIBILITY

Control panels

Model	Ver	09	11	15	19	24	33	40	50
AERS03IR (1)	H4,H6,HE,V4,V6,X	*	*	*	*	*	*	*	*
SA5 (2)	H4,H6,HE,V4,V6,X	*	*	*	*	*	*	*	*
SIT3 (3)	H4,H6,HE,V4,V6,X	*	*	*	*	*	*	*	*
SWS (2)	H4,H6,HE,V4,V6,X	*	*	*	*	*	*	*	*
WMT05 (1)	H4,H6,HE,V4,V6,X	*	*	*	*	*	*	*	*
WMT06 (1)	H4,H6,HE,V4,V6,X	*	*	*	*	*	*	*	*
WMT10 (1)	H4,H6,HE,V4,V6,X	*	*	*	*	*	*	*	*

(1) Wall-mounting. If the unit intake exceeds 0.7A, or several units need to be managed with a single thermostat, board SIT3 and/or SIT5 is required.

(2) Probe for AERS03IR-TX thermostats, if fitted.

(3) Cards for AERS03IR-TX thermostats, if present, to be installed if the unit absorption exceeds 0,7 Ampere.

2 way valve kit

Ver	09	11	15	19	24	33	40	50
H4,H6,V4,V6	VCT102	VCT102	VCT202	VCT202	VCT202	VCT402	VCT402P	VCT402P

3 way valve kit

Ver	09	11	15	19	24	33	40	50
H4,H6,V4,V6	VCT103	VCT103	VCT203	VCT403,VCT403P	VCT403,VCT403P	-	-	-

The accessory cannot be fitted on the configurations indicated with -

Actuator VCTK 230V

Ver	09	11	15	19	24	33	40	50
H4,H6,V4,V6	VCTK	VCTK	VCTK	VCTK	VCTK	VCTK	VCTK	VCTK

Actuator 24V

Ver	09	11	15	19	24	33	40	50
H4,H6,V4,V6	VCTKM	VCTKM	VCTKM	VCTKM	VCTKM	VCTKM	VCTKM	VCTKM

2-damper mixing chamber

Ver	09	11	15	19	24	33	40	50
H4,H6,HE,V4,V6,X	M2S1	M2S1	M2S2	M2S3	M2S4	M2S4	M2S5	M2S5

3-damper mixing chamber

Ver	09	11	15	19	24	33	40	50
H4,H6,HE,V4,V6,X	M3S1 (1)	M3S1 (1)	M3S2 (1)	M3S3 (1)	M3S4 (1)	M3S4 (1)	M3S5 (1)	M3S5 (1)

(1) It must necessarily be combined with the VRF accessory.

Closed delivery plenum

Ver	09	11	15	19	24	33	40	50
H4,H6,HE,V4,V6,X	PMC1	PMC1	PMC2	PMC3	PMC4	PMC4	PMC5	PMC5

Soft bag filter section

Ver	09	11	15	19	24	33	40	50
H4,H6,HE,V4,V6,X	FTF1 (1)	FTF1 (1)	FTF2 (1)	FTF3 (1)	FTF4 (1)	FTF4 (1)	FTF5 (1)	FTF5 (1)

(1) It must necessarily be combined in the enhanced units.

2-row coil

Ver	09	11	15	19	24	33	40	50
H4,H6,HE,V4,V6,X	B2R1	B2R1	B2R2	B2R3	B2R4	B2R4	B2R5	B2R5

PMM

Ver	09	11	15	19	24	33	40	50
H4,H6,HE,V4,V6,X	PMM1	PMM1	PMM2	PMM3	PMM4	PMM4	PMM5	PMM5

ISO COARSE 50% filter flange for intake at base.

Ver	09	11	15	19	24	33	40	50
H4,H6,HE,V4,V6,X	FPI1	FPI1	FPI2	FPI3	FPI4	FPI4	FPI5	FPI5

Section with post-heating coil

Ver	09	11	15	19	24	33	40	50
H4,H6,HE,V4,V6,X	PBE1	PBE2	PBE3	PBE4	PBE5	PBE6	PBE7	PBE8

Silencer baffles module

Ver	09	11	15	19	24	33	40	50
H4,H6,HE,V4,V6,X	SSL1	SSL1	SSL2	SSL3	SSL4	SSL4	SSL5	SSL5

2 zone damper

Ver	09	11	15	19	24	33	40	50
H4,H6,HE,V4,V6,X	SZ21	SZ21	SZ22	SZ23	SZ24	SZ24	SZ25	SZ25

Return ventilating section with a G4 filter

Ver	09	11	15	19	24	33	40	50
H4,H6,HE,V4,V6,X	VRF1	VRF2	VRF3	VRF4	VRF5	VRF6	VRF7	VRF8

Suction damper

Ver	09	11	15	19	24	33	40	50
H4,H6,HE,V4,V6,X	SAS1	SAS1	SAS2	SAS3	SAS3	SAS3	SAS5	SAS5

Outlet grille with adjustable louvers

Ver	09	11	15	19	24	33	40	50
H4,H6,HE,V4,V6,X	GMD1	GMD1	GMD2	GMD3	GMD4	GMD4	GMD5	GMD5

Intake grids

Ver	09	11	15	19	24	33	40	50
H4,H6,HE,V4,V6,X	GAP1	GAP1	GAP2	GAP3	GAP4	GAP4	GAP5	GAP5

4-ROW COIL UNIT PERFORMANCE DATA

Units designed to operate with all recirculating air or maximum 10% of external air.

Versions H/V

	TA09H4	TA09V4	TA11H4	TA11V4	TA15H4	TA15V4	TA19H4	TA19V4	TA24H4	TA24V4	TA33H4	TA33V4	TA40H4	TA40V4	TA50H4	TA50V4	
Cooling performances 7 °C / 12 °C - 2 pipe system (1)																	
Cooling capacity	kW	4,20	4,20	5,70	5,70	8,70	8,70	12,40	12,40	17,30	17,30	21,70	21,70	27,20	27,20	33,50	33,50
Sensible cooling capacity	kW	3,50	3,50	4,20	4,20	6,20	6,20	8,30	8,30	11,20	11,20	14,30	14,30	18,00	18,00	20,90	20,90
Water flow rate	l/h	722	722	980	980	1496	1496	2132	2132	2975	2975	3732	3732	4678	4678	5761	5761
Pressure drop	kPa	6	6	6	6	7	7	12	12	16	16	23	23	11	11	31	31
Heating performance 70 °C / 60 °C - 2 pipe system																	
Heating capacity	kW	10,40	10,40	13,30	13,30	19,10	19,10	24,70	24,70	34,10	34,10	41,90	41,90	52,80	52,80	58,30	58,30
Water flow rate	l/h	894	894	1139	1139	1642	1642	2124	2124	2932	2932	3603	3603	4538	4538	5013	5013
Pressure drop	kPa	5	5	8	8	7	7	10	10	13	13	19	19	10	10	22	22
2-rows-heating coil with hot water - (accessory) (2)																	
Heating capacity	kW	3,90	3,90	8,50	8,50	12,70	12,70	16,00	16,00	21,70	21,70	26,70	26,70	34,80	34,80	40,00	40,00
Water flow rate	l/h	333	333	731	731	1092	1092	1371	1371	1866	1866	2291	2291	2988	2988	3439	3439
Pressure drop	kPa	8	8	11	11	13	13	14	14	18	18	26	26	18	18	23	23
Electric heating coil - (accessory)																	
Heating capacity	kW	4,00	4,00	6,00	6,00	8,00	8,00	10,00	10,00	12,00	12,00	16,00	16,00	20,00	20,00	24,00	24,00
Stages	no.	2	2	2	2	2	2	2	2	2	2	2	2	2	2	2	2
Power supply		400V~350Hz															
Fan																	
Type	type	Centrifugal															
Number	no.	1	1	2	2	2	2	1	1	1	1	2	2	2	2	2	2
Air flow rate	m ³ /h	800	800	1100	1100	1500	1500	1900	1900	2400	2400	3300	3300	4000	4000	5000	5000
High static pressure	Pa	145	145	290	290	176	176	240	240	211	211	245	245	248	248	153	153
Input power	kW	0,25		0,31		0,38		0,61		0,83		0,81		0,98		1,28	
Air filter																	
Type	type	G4 / F6															
Sound data																	
Sound power level	dB(A)	62,0	62,0	66,0	66,0	67,0	67,0	72,0	72,0	74,0	74,0	75,0	75,0	76,0	76,0	79,0	79,0
Power supply																	
Power supply		230V~50Hz															

(1) Room air 27 °C b.s.47% U.R.; Water (in/out) 7 °C/12 °C

(2) Water temperature (in/out) 70°C / 60°C.

6-ROW COIL UNIT PERFORMANCE DATA

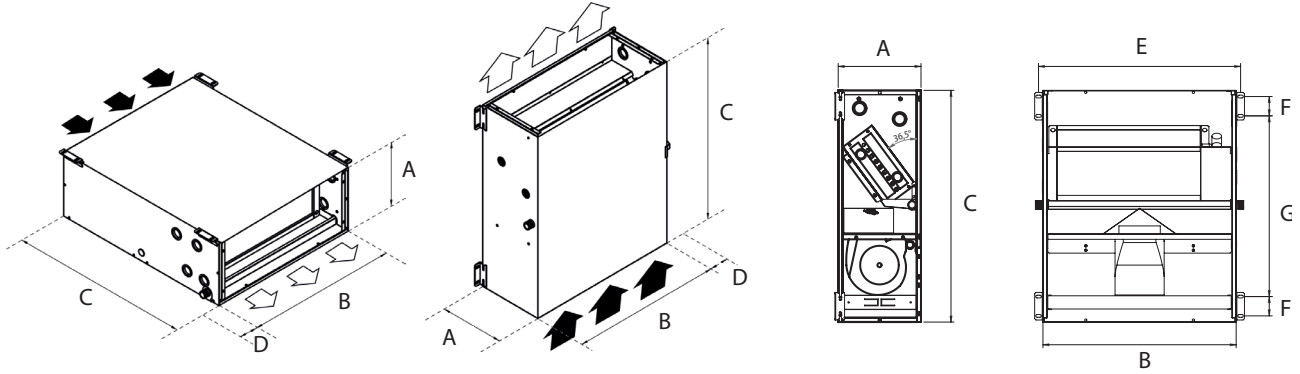
Versions H/V

	TA09H6	TA09V6	TA11H6	TA11V6	TA15H6	TA15V6	TA19H6	TA19V6	TA24H6	TA24V6	TA33H6	TA33V6	TA40H6	TA40V6	TA50H6	TA50V6	
Cooling performances 7 °C / 12 °C - 2 pipe system (1)																	
Cooling capacity	kW	5,10	5,10	6,70	6,70	11,70	11,70	15,50	15,50	20,60	20,60	26,30	26,30	33,50	33,50	39,60	39,60
Sensible cooling capacity	kW	3,40	3,40	4,70	4,70	7,50	7,50	9,80	9,80	12,80	12,80	16,60	16,60	20,90	20,90	25,00	25,00
Water flow rate	l/h	868	868	1152	1152	2012	2012	2666	2666	3543	3543	4523	4523	5761	5761	6810	6810
Pressure drop	kPa	4	4	6	6	15	15	29	29	27	27	41	41	31	31	42	42
Heating performance 70 °C / 60 °C - 2 pipe system																	
Heating capacity	kW	11,40	11,40	14,80	14,80	21,40	21,40	27,40	27,40	35,60	35,60	46,60	46,60	58,30	58,30	72,80	72,80
Water flow rate	l/h	976	976	1273	1273	1838	1838	2356	2356	3058	3058	4005	4005	5013	5013	6260	6260
Pressure drop	kPa	4	4	7	7	16	16	23	23	21	21	34	34	22	22	30	30
2-rows-heating coil with hot water - (accessory) (2)																	
Heating capacity	kW	3,90	3,90	8,50	8,50	12,70	12,70	16,00	16,00	21,70	21,70	26,70	26,70	34,80	34,80	40,00	40,00
Water flow rate	l/h	333	333	731	731	1092	1092	1371	1371	1866	1866	2291	2291	2988	2988	3439	3439
Pressure drop	kPa	8	8	11	11	13	13	14	14	18	18	26	26	18	18	23	23
Electric heating coil - (accessory)																	
Heating capacity	kW	4,00	4,00	6,00	6,00	8,00	8,00	10,00	10,00	12,00	12,00	16,00	16,00	20,00	20,00	24,00	24,00
Stages	no.	2	2	2	2	2	2	2	2	2	2	2	2	2	2	2	2
Power supply		400V~350Hz															
Fan																	
Type	type	Centrifugal															
Number	no.	1	1	2	2	2	2	1	1	1	1	2	2	2	2	2	2
Air flow rate	m ³ /h	800	800	1100	1100	1500	1500	1900	1900	2400	2400	3300	3300	4000	4000	5000	5000
High static pressure	Pa	131	131	265	265	158	158	224	224	199	199	224	224	234	234	131	131
Input power	kW	0,25		0,31		0,38		0,61		0,83		0,81		0,98		1,28	
Air filter																	
Type	type	G4 / F6															
Sound data																	
Sound power level	dB(A)	62,0	62,0	66,0	66,0	67,0	67,0	72,0	72,0	74,0	74,0	75,0	75,0	76,0	76,0	79,0	79,0
Power supply																	
Power supply		230V~50Hz															

(1) Room air 27 °C b.s.47% U.R.; Water (in/out) 7 °C/12 °C

(2) Water temperature (in/out) 70°C / 60°C.

DIMENSIONS



Unit for horizontal installation

Unit H

		TA09H4	TA09H6	TA11H4	TA11H6	TA15H4	TA15H6	TA19H4	TA19H6	TA24H4	TA24H6	TA33H4	TA33H6	TA40H4	TA40H6	TA50H4	TA50H6	
Dimensions and weights																		
A	mm	300	300	300	300	300	300	390	390	390	390	390	390	390	390	390	390	
B	mm	700	700	700	700	1050	1050	1050	1050	1475	1475	1475	1475	2100	2100	2100	2100	
C	mm	700	700	700	700	700	700	850	850	850	850	850	850	1000	1000	1000	1000	
D	mm	82	82	82	82	82	82	82	82	82	82	82	82	82	82	82	82	
E	mm	732	732	732	732	732	732	1082	1082	1507	1507	1507	1507	2131	2131	2131	2131	
F	mm	70	70	70	70	70	70	70	70	70	70	70	70	70	70	70	70	
G	mm	655	655	655	655	655	655	905	905	905	905	905	905	905	905	905	905	
Weights																		
With 4-row water coil	kg	28	28	33	33	45	45	60	60	78	78	86	86	135	135	140	140	
With 6-row water coil	kg	30	30	35	35	47	47	62	62	81	81	89	89	139	139	144	144	

Unit for vertical installation

Unit V

		TA09V4	TA09V6	TA11V4	TA11V6	TA11VE	TA15V4	TA15V6	TA19V4	TA19V6	TA24V4	TA24V6	TA33V4	TA33V6	TA40V4	TA40V6	TA50V4	TA50V6
Dimensions and weights																		
A	mm	300	300	300	300	300	300	300	390	390	390	390	390	390	390	390	390	390
B	mm	700	700	700	700	700	1050	1050	1050	1050	1475	1475	1475	1475	2100	2100	2100	2100
C	mm	700	700	700	700	700	700	700	850	850	850	850	850	850	1000	1000	1000	1000
D	mm	82	82	82	82	82	82	82	82	82	82	82	82	82	82	82	82	82
E	mm	732	732	732	732	732	732	732	1082	1082	1507	1507	1507	1507	2131	2131	2131	2131
F	mm	70	70	70	70	70	70	70	70	70	70	70	70	70	70	70	70	70
G	mm	655	655	655	655	655	655	655	905	905	905	905	905	905	905	905	905	905
Weights																		
With 4-row water coil	kg	28	28	33	33	33	45	45	60	60	78	78	86	86	135	135	140	140
With 6-row water coil	kg	30	30	35	35	35	47	47	62	62	81	81	89	89	139	139	144	144

Aermec reserves the right to make any modifications deemed necessary.
All data is subject to change without notice. Aermec does not assume responsibility or liability for errors or omissions.

Aermec S.p.A.
Via Roma, 996 - 37040 Bevilacqua (VR) - Italia
Tel. 0442633111 - Telefax 044293577
www.aermec.com