

Date 13/5/2020
 Customer
 Offer



San Toribio, 6 28031 MADRID
 +34/913030426 com@frimetal.es

DIRECT EXPANSION EVAPORATOR

FRB-154

Model Capacity **2,1 kW**
 Required Capacity **0,0 kW**

Materials

Tubes Copper
 Fins Aluminium
 Casing Aluminun and galvanized steel white coated RAL-9002

Duties

Fin Spacing **7 mm**
 Air Flow **1375 m³/h**
 Air Velocity **1,74 m/s**
 Available Air Static Pressure **0 Pa**
 Air throw **11 m**
 Air Inlet Temperature **-20,0 °C**
 Outlet Air Temperature **-23,7 °C**
 Evaporating Temperature **-27,0 °C**
 Temperature difference DT1 **7 K**
 Refrigerant **R404A**

Options

Electrical defrost

Coil

Fin Spacing **7 mm**
 Finned Length **550 mm**
 Surface **13,1 m²**
 Internal Volume **4,5 dm³**

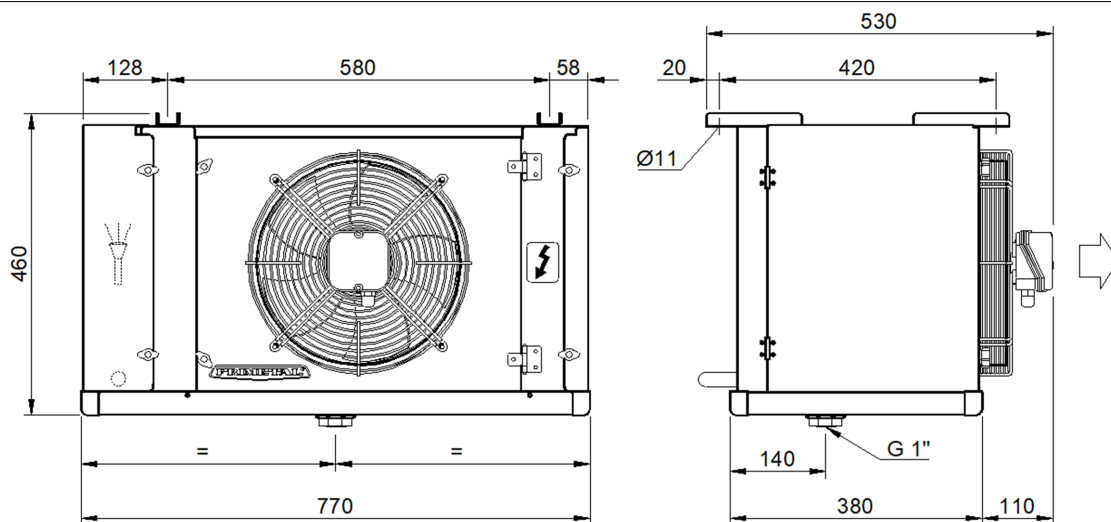
Installer Information

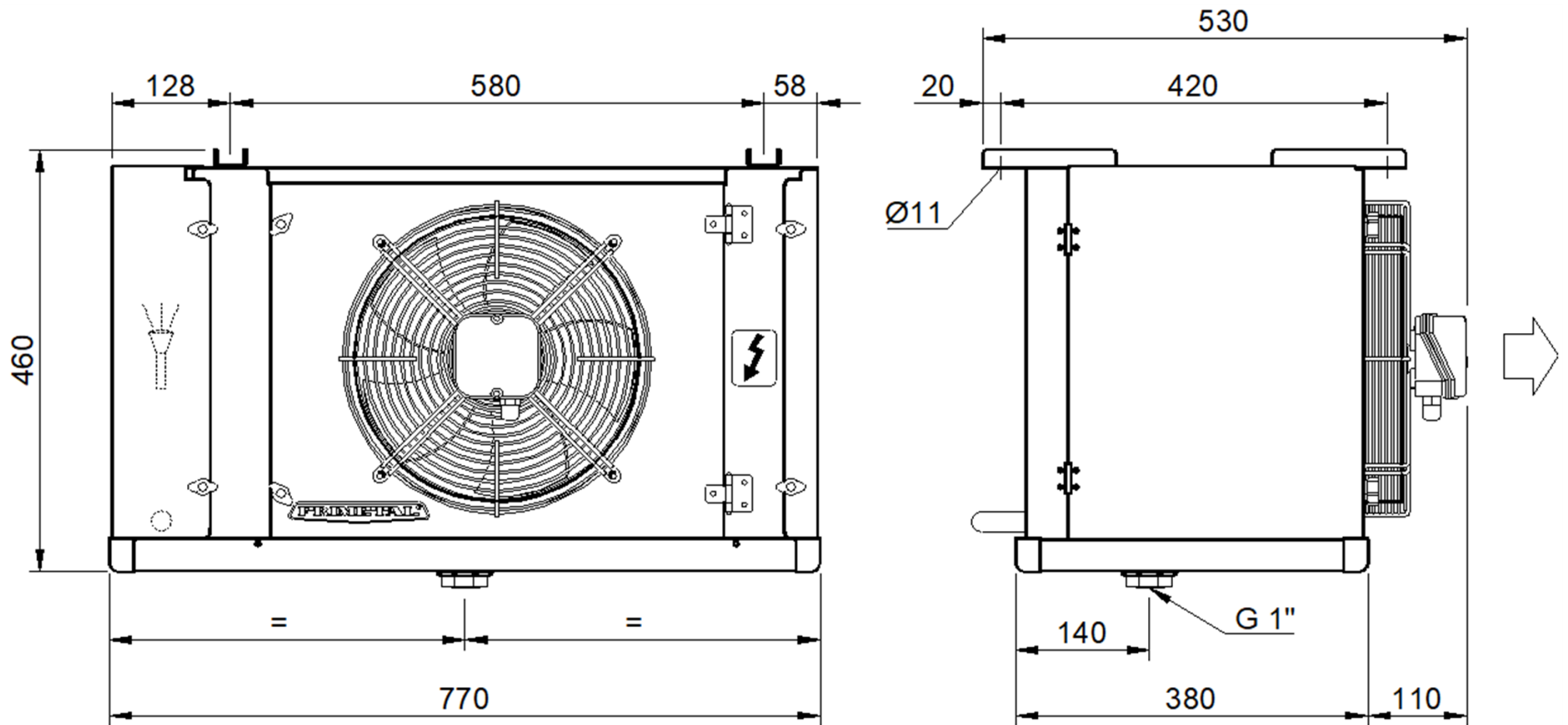
Net weight **28 kg**
 Inlet liquid distributor **1 x 1/2" mm**
 Outlet line **1 x 16 mm**
 Electric defrost power **2200 W**

AC Fan motors ErP compliant

Power supply **1~230V/50Hz**
 Fans Nr. **1**
 Blade Diameter **300 mm**
 Speed **1350 rpm**

Total absorbed power **80 W**
 Total absorbed current **0,4 A**
 Noise Power Level **64 dB(A)**
 Noise Pressure Level **33 dB(A)**
 Distance **10 m**





DIRECT EXPANSION EVAPORATOR - FRB-154



FRIMETAL, s.a.
 San Toribio, 6
 28031 MADRID
 +34/913030426 - +34/917774761