



THE HEART OF FRESHNESS

OPERATING INSTRUCTIONS

BETRIEBSANLEITUNG
INSTRUCTION DE SERVICE

DB-300-9

Pressure vessels: Liquid receivers and oil separators Translation of the original Operating Instructions English.....	2
Druckbehälter: Flüssigkeitssammler und Ölabscheider Originalbetriebsanleitung Deutsch	34
Réservoirs sous pression : Réservoirs de liquide et séparateurs d'huile Traduction des instructions de service d'origine Français.....	66

F062H(P) .. F3102N(P)

F302G .. F1602G

F202HA .. F3102NA

F302K .. F1602K

F182 .. F312

F212N3

FS33 .. FS268

FS36(P) .. FS5502(P)

FS302K .. FS1602K

OA1954(A) .. OA25112(A)

OAF6288 .. OAF15211

OAC14011A .. OAC25112A

OAS322 .. OAS3088

OAHC2888 .. OAHC7088

OAHC65051A .. OAHC100051A

Installer
Monteur
Monteur



Table of contents

1	Introduction	4
2	Safety	4
2.1	Authorized staff	4
2.2	Residual hazards	4
2.3	Safety references	4
2.3.1	General safety instructions	5
3	Application ranges	6
3.1	Special notes for CO ₂ liquid receivers	7
3.2	System registration	7
3.3	Conformity	8
4	Mounting	9
4.1	Transporting the pressure vessel	9
4.2	Installation location	9
4.3	Maximum allowable pressure	10
4.4	Removal clearance for probe	10
4.5	Removal clearance for filter cartridge	11
4.6	Delivery condition	11
4.7	Connecting the pipelines	11
4.7.1	Mounting the pressure relief valve	12
4.8	Oil separator	13
4.9	Liquid receiver connections	14
4.10	Connection dimensions for liquid receivers	17
4.11	Oil separator connections	20
4.12	Connection dimensions for oil separators	25
5	Commissioning	27
5.1	Charging with oil	27
5.2	Checking tightness	27
5.3	Evacuation	27
5.4	Charging refrigerant	28
5.5	Compressor start	28
5.5.1	Checking the oil level	28
5.5.2	Vibrations	28
5.5.3	Checking the operating data	28
6	Operation	29
7	Maintenance	29
7.1	Changing the filter cartridges	29
7.1.1	OAC series	30
7.1.2	OAS series	31
7.1.3	OAHC series	32
7.2	Extracting the refrigerant	33
7.3	Draining the oil	33



8 Decommissioning 33

1 Introduction

This pressure equipment is designed for installation in refrigeration systems according to the EC Machinery Directive 2006/42/EC and the Pressure Equipment Directive 2014/68/EU. They may only be put into operation if they have been installed in the machines according to these Assembly/Operating Instructions and if the overall system complies with the applicable legal provisions (applied standards: see Declaration of Conformity).

The pressure equipment has been built in accordance with state-of-the-art methods and current regulations. Particular importance was placed on user safety.

Always keep these operations instructions near the refrigeration system for the whole lifetime of the pressure vessel.

2 Safety

2.1 Authorized staff

All work done on the pressure equipment and refrigeration systems may only be performed by qualified and authorized staff who have been trained and instructed accordingly. Local regulations and guidelines apply with respect to the staff's qualification and expertise.

2.2 Residual hazards

The pressure equipment may present unavoidable residual risks. That is why any person working on this device must carefully read these Operating Instructions!

The following regulations shall apply:

- the relevant safety regulations and standards (for example, EN 378)
- generally accepted safety rules,
- EU directives,
- national regulations.

2.3 Safety references

are instructions intended to prevent hazards. Safety references must be stringently observed!



NOTICE

Safety reference to avoid situations which may result in damage to a device or its equipment.



CAUTION

Safety reference to avoid a potentially hazardous situation which may result in minor or moderate injury.



WARNING

Safety reference to avoid a potentially hazardous situation which could result in death or serious injury.



DANGER

Safety reference to avoid an imminently hazardous situation which may result in death or serious injury.

2.3.1 General safety instructions

State of delivery



CAUTION

The pressure equipment is filled with a holding charge: Overpressure 0.2 .. 0.5 bar.
 Risk of injury to skin and eyes.
 Depressurise the pressure equipment!
 Wear safety goggles!



DANGER

Risk of bursting the pressure device due to mechanical stress.
 Serious injuries are possible.
 Connect the pipeline to the pressure unit without stress!



DANGER

Risk of bursting of components and pipelines due to hydraulic overpressure.
 Serious injuries are possible.
 Make sure not to exceed maximum admissible pressures!

For work on the pressure device after having put the system into operation



CAUTION

Surface temperatures of more than 60°C or below 0°C.



Risk of burns or frostbite.

Close off accessible areas and mark them.
 Before performing any work on the pressure device: switch off the installation and let it cool down.



WARNING

The pressure equipment is under pressure!
 Serious injuries are possible!
 Depressurise the pressure equipment!
 Wear safety goggles!



CAUTION

Oil can be very hot.
 Serious burns are possible.
 Allow the oil to cool.



3 Application ranges

Type	Fluid group according to 2014/68/EU (PED)	Safety group according to EN 378	PS Maximum permitted pressure	TS Maximum and minimum permitted temperature
F062H(P) .. F3102N(P), F182 .. F312, F302G .. F1602G, F212N3, FS33 .. FS268, FS36(P) .. FS3102(P), FS4002(P) .. FS5502(P)	1 + 2	A1, A2, A2L, A3	33 bar	120°C / -10°C
F202HA .. F3102NA	1 + 2	A1, A2, A2L, A3, B2L	28 bar	120°C / -10°C
F302K .. F1602K, FS302K .. FS1602K	1 + 2	A1, A2, A2L, A3	45 bar (33 bar)	120°C / -10°C (-10°C / -20°C)
OA1954 .. OA25112, OAF6288 .. OAF15211, OAH2888 .. OAH7088	1 + 2	A1, A2, A2L, A3	28 bar	120°C / -10°C
OA1954A .. OA25112A, OAS322 .. OAS3088, OAC14011A .. OAC25112A, OAH65051A .. OAH-C100051A, OAS322 .. OAS3088	1 + 2	A1, A2, A2L, A3, B2L	28 bar	120°C / -10°C
OA1954(A) .. OA25112(A), OAF6288 .. OAF15211, OAH2888 .. OAH7088, OAS322 .. OAS3088, OAC14011A .. OAC25112A, OAH65051A .. OAH-C100051A, OAS322 .. OAS3088		Oil according to ISO 6743-3, DIN 51503-1	28 bar	120°C / -10°C

Tab. 1: Permitted fluids

3.1 Special notes for CO₂ liquid receivers

- Last letter K, PS = 45 bar
- For the usual application of the vessels as liquid receivers, special corrosion protection measures and additional insulation are required due to low operating temperatures.
- The receivers may only be operated in combination with a pressure relief valve (max. 45 bar). Select and arrange valves according to the manufacturer's instructions.



DANGER

CO₂ is an odourless and colourless gas and cannot be perceived directly in case of emission!

Lost of consciousness and danger of suffocation by inhaling higher concentrations!

Avoid CO₂ emission and uncontrolled deflating, particularly in closed rooms!

Aerate closed machine rooms!

Make sure that the safety regulations in accordance with EN 378 are complied with!

3.2 System registration

Liquid receivers and oil separators are pressure equipment according to the EU Pressure Equipment Directive 2014/68/EU. For this reason the entire system must be registered with the supervisory authority and duly approved in accordance with the local regulations.

The category for the conformity assessment of each pressure vessel is listed in the following table.

For the inspection before commissioning and recurring inspections, national regulations must be considered (for example the Industrial Safety Regulation BetrSichV in Germany).

In non-EU countries, local regulations must be complied with.

3.3 Conformity

Type	Reservoir fluid capacity dm ³ (l)	Category according to 2014/68/EU (PED)		Conformity assessment depending on the module
		Fluid group 2	Fluid group 1	
F062H(P)	6.8	II	III	B + D
F102H(P) / FS102(P)	10	II	III	B + D
F152H(P) / FS152(P)	15	II	III	B + D
F182	18	II	III	B + D
F192T(P)	19	II	III	B + D
F202H(P) / F202HA / FS202(P)	20	II	III	B + D
F212N3	21	II	III	B + D
F252H(P) / FS252(P)	25	II	III	B + D
F302H(P) / F302G / F312 / FS302(P)	30	II	III	B + D
F392T(P) / F402H(P) / F402HA / FS402(P)	39	III	IV	B + D
F552T(P)	54	III	IV	B + D
F562N(P) / F562NA / F562G / F562K / FS562(P)	56	III	IV	B + D
F562N(P)	56	III	IV	B + D
F732N(P) / FS732(P)	73	III	IV	B + D
F902N(P) / FS902(P)	89	III	IV	B + D
F1052T(P) / F1052TA / F1052G / F1052K	105	IV	IV	B + D
F1202N(P)	112	IV	IV	B + D
F1602N(P) / F1602NA / F1602G / F1602K / FS1602(P) / FS1602K	160	IV	IV	B + D
F2202N(P) / FS2202(P)	228	IV	IV	B + D
F3102N(P) / F3102NA / FS3102(P)	320	IV	IV	B + D
FS33	2.6	I	II	A2
FS36 (P)	3.0	I	II	A2
FS48	4.7	I	II	A2
FS53 / FS56(P)	5.6	I	II	A2
FS68	6.5	II	III	B + D
FS76(P) / FS83 / FS78	7.8	II	III	B + D
FS126(P) / FS128	13	II	III	B + D
FS188	18	II	III	B + D
FS268	26	II	III	B + D
F302K / FS302K	30	III	IV	B + D
FS902K	89	IV	IV	B + D
FS1122(P)	112	IV	IV	B + D
FS4002(P)	395	IV	IV	B + D

Type	Reservoir fluid capacity dm ³ (l)	Category according to 2014/68/EU (PED)	Category according to 2014/68/EU (PED)	Conformity assessment depending on the module
		Fluid group 2	Fluid group 1	
FS4752(P)	473	IV	IV	B + D
FS5502(P)	550	IV	IV	B + D
OA1954(A)	40	III	IV	B + D
OA4188(A)	88	III	IV	B + D
OA9111(A)	228	IV	IV	B + D
OA14111(A)	395	IV	IV	B + D
OA25112(A)	655	IV	IV	G
OAC14011A	616	IV	IV	G
OAC25112A	868	IV	IV	G
OAS322	2.7	I	II	A2
OAS744	7	I	II	A2
OAS1055	10	II	III	B + D
OAS1655	16	II	III	B + D
OAS3088	30	II	III	B + D
OAF6288	62	III	IV	B + D
OAF15211	152	IV	IV	B + D
OAH2888	112	IV	IV	B + D
OAH7088	228	IV	IV	B + D
OAHC65051A	630	IV	IV	B + D
OAHC80051A	1130	IV	IV	G
OAHC100051A	2250	IV	IV	G

Tab. 2: Category and conformity assessment

4 Mounting

4.1 Transporting the pressure vessel

Transport the pressure vessel screwed on a pallet. Lift it using the eyebolts or the upper fastening brackets if available.



DANGER

Suspended load!

Do not step under the machine!



4.2 Installation location

For outdoor installation, take suitable measures to protect the pressure vessel against corrosion (e.g. caused by seawater or aggressive atmosphere) and low outside temperatures. Consultation with BITZER is recommended.

4.3 Maximum allowable pressure

The whole system must be designed and operated in order to guarantee that the maximum allowable pressure in the pressure vessel cannot be exceeded.

Pressure relief valves are absolutely necessary if

- it is to be expected that the maximum allowable pressure will be exceeded due to external heat sources (e.g. fire), or if
- the entire refrigerant charge of the system is more than 90% of the vessel volume at 20°C. Vessel volume means the volume between the valves before and after a pressure vessel, which can be shut off during normal operation. In case of vessels installed in series, it is the volume of all vessels and the connecting pipe.

In these cases, pressure relief devices should be installed to direct the refrigerant or the oil towards the low-pressure side of the system (emission reduction).

Safety switching devices for limiting the pressure

According to the local regulations, safety switching devices for pressure limiting must be provided.

4.4 Removal clearance for probe

- Option
- Liquid receivers FS202 .. FS5502

If the probe for infinite liquid level monitoring is mounted or should be retrofitted, the liquid receiver must be mounted such that the probe can be taken out upwards (see figure 1, page 10).

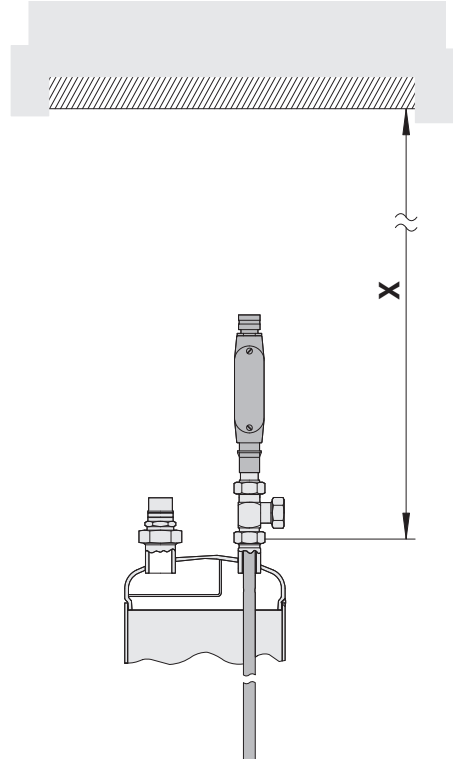


Fig. 1: Removal clearance for probe

Type	Removal clearance for probe (= X)	Probe kit
FS202	1000 mm	34740501
FS252	1160 mm	34740502
FS302 / FS562	1280 mm	34740503
FS402 / FS732	1530 mm	34740504
FS2202 / FS4002	1640 mm	34740505
FS902 / FS4752	1740 mm	34740506
FS1122	1280 mm	34740503
FS1602 / FS5502	2040 mm	34740507
FS3102	2140 mm	34740508

4.5 Removal clearance for filter cartridge

Oil separators for NH₃

- OAC14011A .. OAC25112A
- OAS322 .. OAS3088
- OAHC65051A .. OAHC100051A

Combined and secondary oil separators must be mounted such that the filter cartridges can be taken out (see figure 2, page 11).

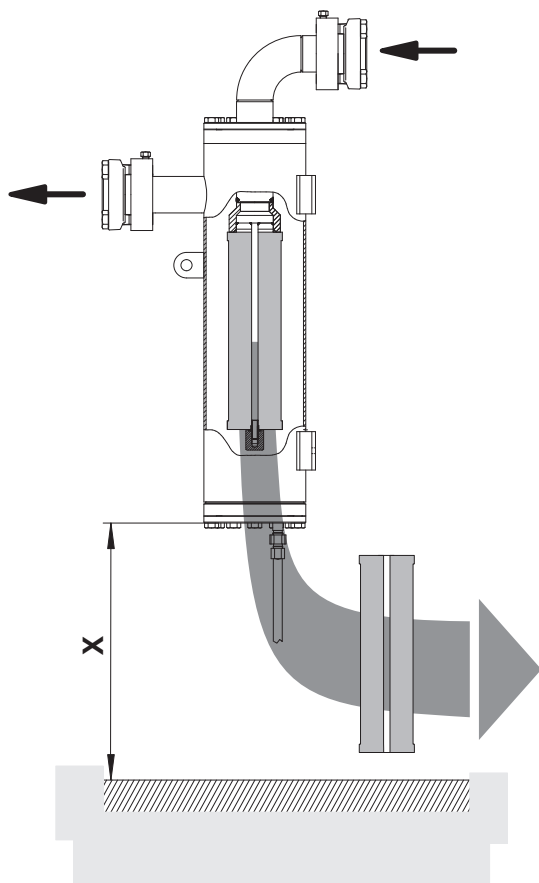


Fig. 2: Removal clearance for filter cartridge

Type	Removal clearance for filter cartridge (= X)
OAC14011A	460 mm
OAC25112A	460 mm
OAS322	120 mm
OAS744	260 mm
OAS1055	300 mm
OAS1655	600 mm
OAS3088	600 mm
OAHC65051A	460 mm
OAHC80051A	460 mm
OAHC100051A	460 mm

4.6 Delivery condition

The pressure vessel is sealed in the delivery condition and filled with inert gas. The inert gas overpressure is 0.2 .. 0.5 bar. All Rotalock and flange connections are closed by blanking plates. These plates must be removed before commissioning.

4.7 Connecting the pipelines

The pipe connections are suitable for pipes in all common dimensions in millimetres and inches. Brazed connections have stepped diameters. The pipe will immerse more or less depending on its dimensions. If not required the end with the largest diameter can be cut-off.



DANGER

Risk of bursting the pressure device due to mechanical stress.

Serious injuries are possible.

Connect the pipeline to the pressure unit without stress!

First relieve the excess pressure from the pressure vessel: Open the connections carefully.



WARNING

The pressure equipment is under pressure!

Serious injuries are possible!

Depressurise the pressure equipment!

Wear safety goggles!

Remove shut-off valves and/or solder connections.



NOTICE

Potential chemical reactions due to air penetration!

Install the open pressure vessel immediately in the system.

Reseal the pressure vessel during installation breaks.



NOTICE

Do not overheat the shut-off valves!

Cool the valve body during and after the brazing operation.

Maximum brazing temperature 700°C!

When brazing or welding, rinse the corresponding conductive parts with inert gas.

Clean pipes

Use only pipelines and system components which are

- clean and dry inside (free from slag, metal filings, rust and phosphate coatings) and
- which are delivered with an air-tight seal.

4.7.1 Mounting the pressure relief valve

Internal thread 3/8"-18 NPTF: Screw in the pressure relief valve.

External thread 1 1/4"-12 UNF: Screw the pressure relief valve into the adaptor. Then fasten the adaptor at the pressure vessel with the union nut.

Available adaptors see figure 3, page 12.

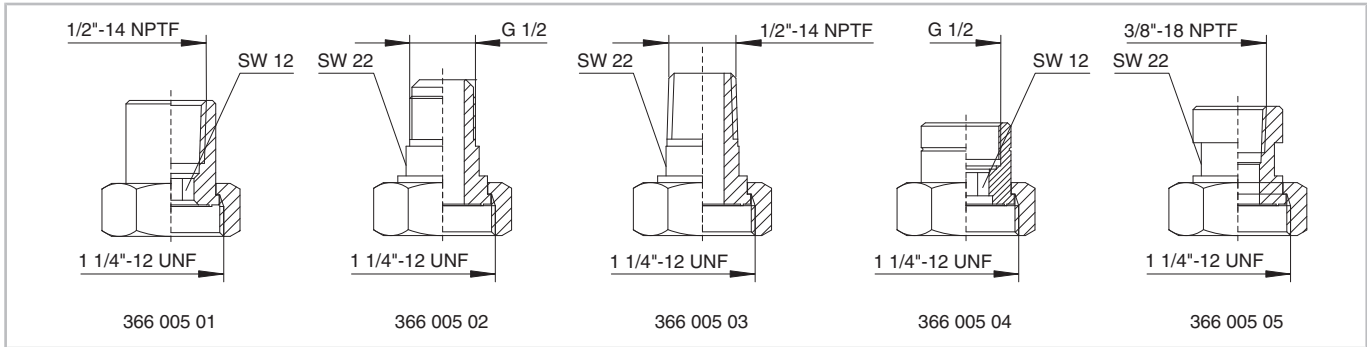


Fig. 3: Adaptors for the pressure relief valve

4.8 Oil separator

Install oil heater(s) in the oil separator and connect them according to the schematic wiring diagram (see also SH-100, SH-500). During long shut-off periods, the oil heater prevents excessive refrigerant concentration in the oil and therefore reduction of viscosity. It must be on when the compressor is at standstill.

Insulate the oil separator:

- for operation at low ambient temperatures or
- with high temperatures on the high-pressure side during standstill (e.g. heat pumps).

The oil level switch and the oil thermostat are supplied separately and must be mounted on site. Mounting position see figure 4, page 13.

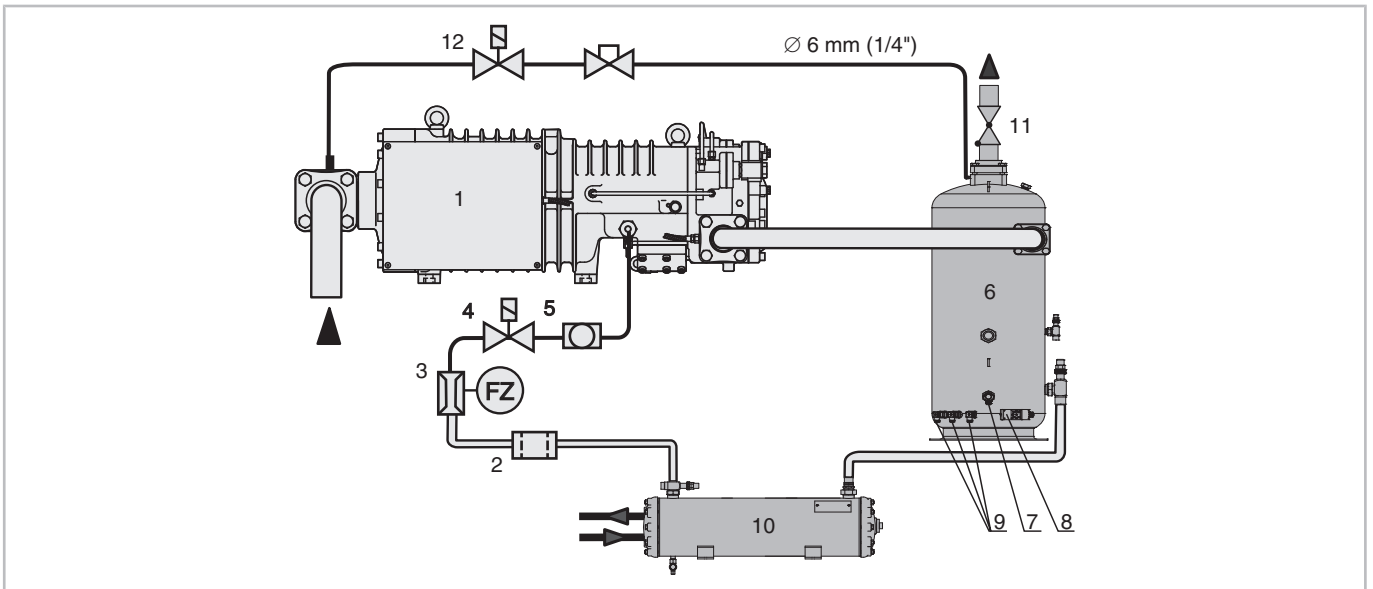


Fig. 4: Oil circuit (with a compressor)

1	Compressor
2	Oil filter
3	Oil flow switch
4	Oil solenoid valve
5	Sight glass
6	Oil separator
7	Oil level switch
8	Oil thermostat
9	Oil heater
10	Oil cooler (if required)
11	Check valve
12	Solenoid valve (standstill bypass)

4.9 Liquid receiver connections

Mount the liquid receivers onto a horizontal surface with the fixing (6) marked in the drawing facing down-

wards! Keep the orientation of the connections as shown in the drawing!

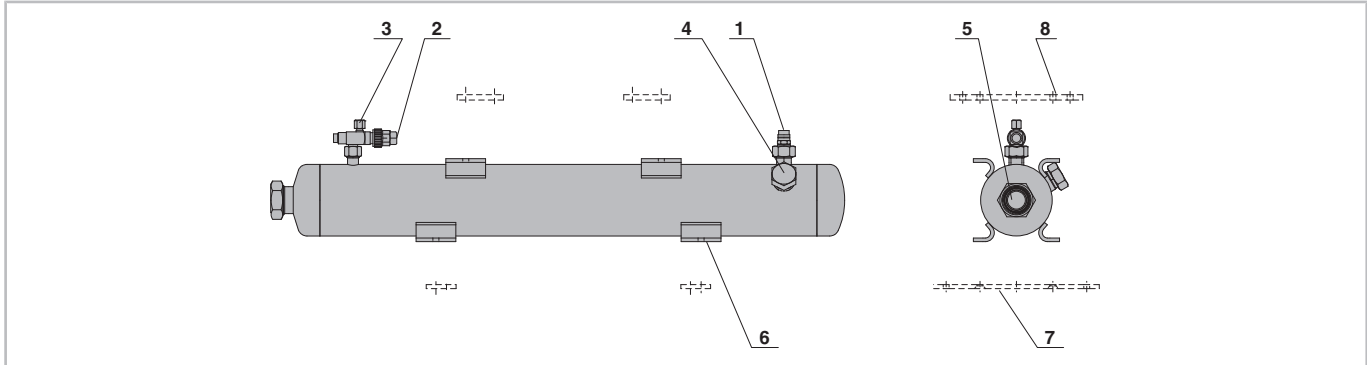


Fig. 5: F062H(P)

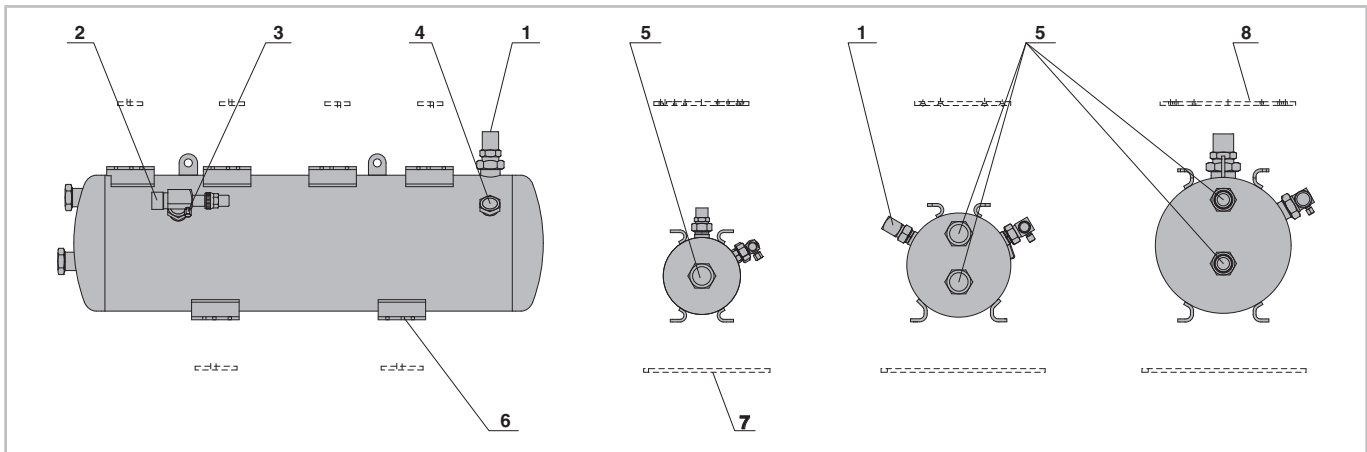


Fig. 6: F102H(P) .. F552H(P), F1052H(P), F1052T(P), F192T(P), F392T(P), F202HA .. F3102NA, F202H(P) .. F552T(P)

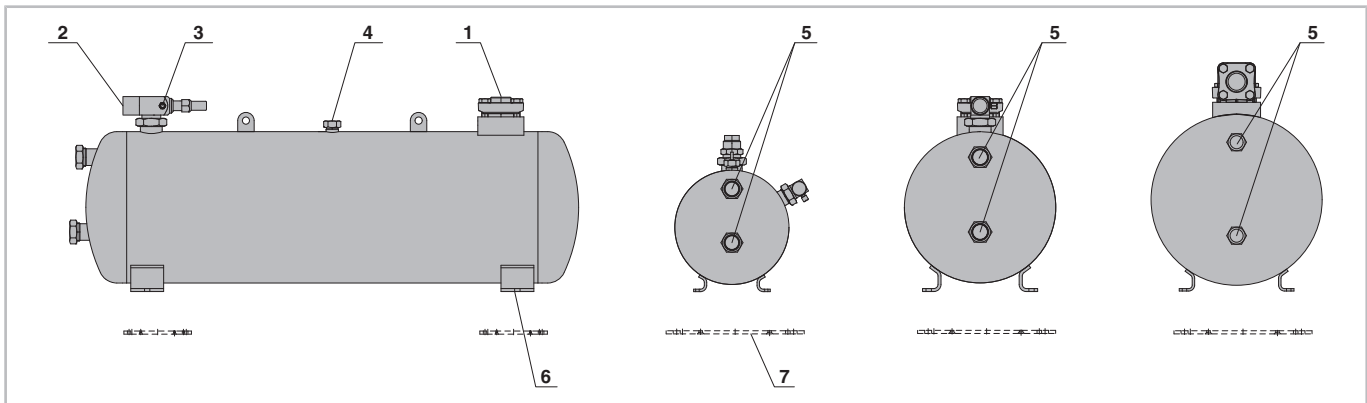


Fig. 7: F562N(P) .. F902N(P), F1202N(P) .. F3102N(P), F302G .. F1602G, F182 .. F312

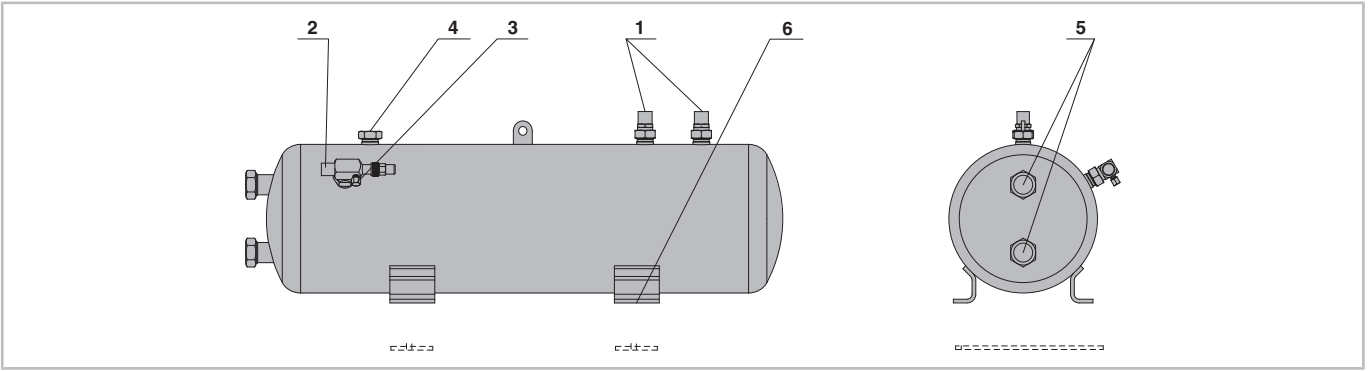


Fig. 8: F302K .. F1602K

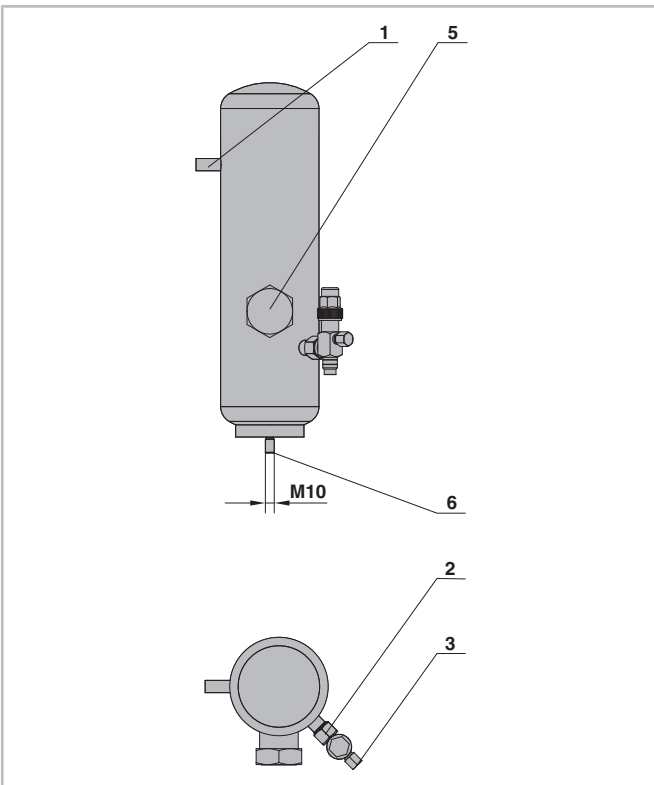


Fig. 9: FS33, FS38, FS83, FS36(P)

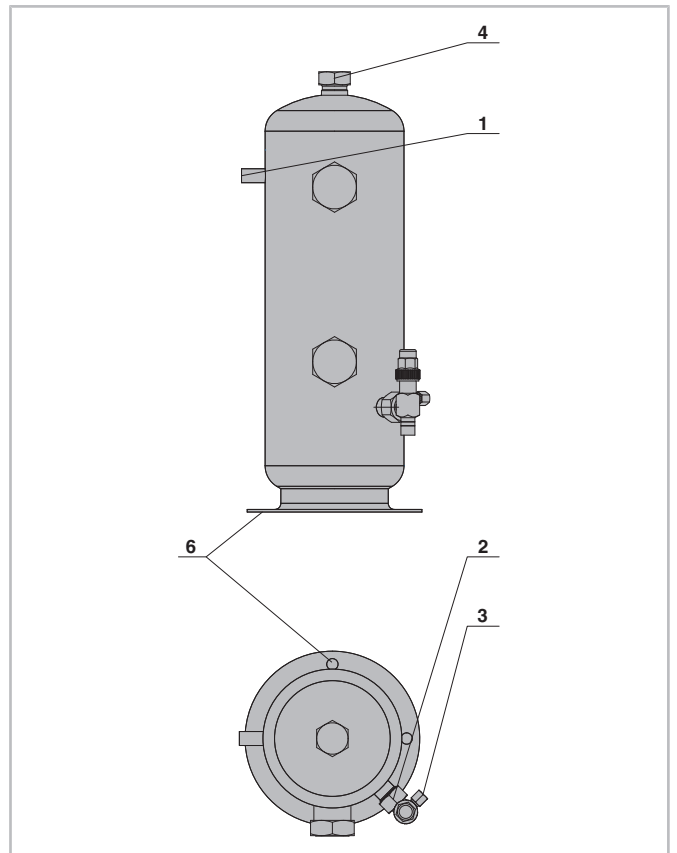


Fig. 10: FS56, FS76, FS126, FS48, FS68, FS78, FS128, FS188, FS268, FS302K .. FS1602K

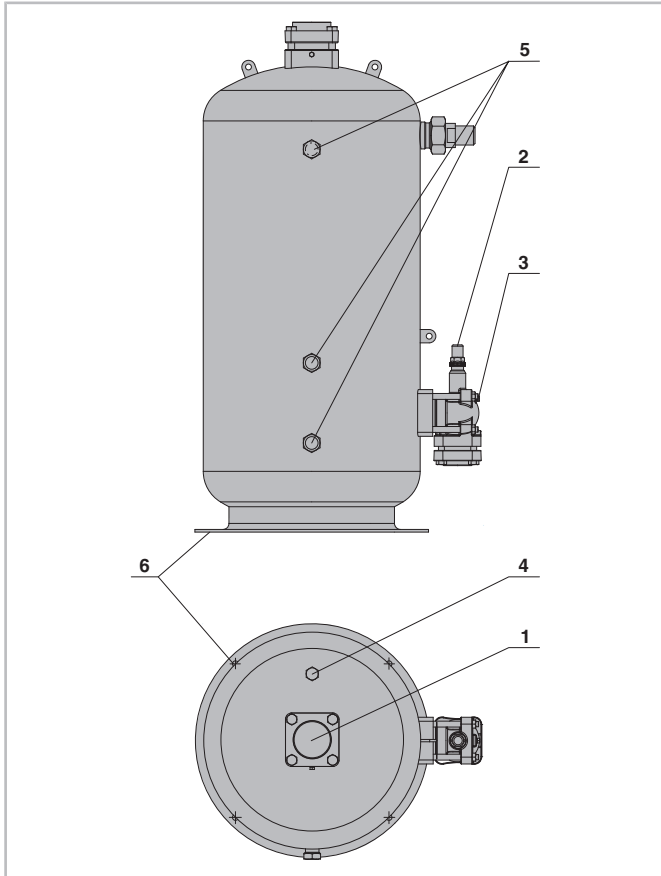


Fig. 11: FS102(P), FS152(P) .. FS5502(P)

Connection positions	
1	Refrigerant inlet
2	Refrigerant outlet
3	Pressure gauge connection
4	Connection for pressure relief valve
5	Sight glass
6	Fixing

Tab. 3: Connection positions

Dimensions (if specified) may have tolerances according to EN ISO 13920-B.

The legend applies to all BITZER liquid receivers and contains connection positions that do not exist in each receiver series.

Fixing bracket

Last letter "N" = bottom

Last letters "H" & "T" = bottom & top

4.10 Connection dimensions for liquid receivers

Types	1 Inlet diameter		2 Outlet diameter		3 Pressure gauge	4 Pressure relief valve	6 Fixing diameter
	mm	inch	mm	inch			
F062H(P)	12	1/2	10	3/8	7/16 -20 UNF	Internal thread: 3/8 -18 NPTF External thread: 1 1/4 -12 UNF	9
F102H(P)	16	5/8	12	1/2	7/16 -20 UNF	see above	9
F152H(P)	22	7/8	16	5/8	7/16 -20 UNF	see above	9
F182	16	5/8	16	5/8	7/16 -20 UNF	see above	9
F192T(P)	16	5/8	16	5/8	7/16 -20 UNF	see above	9
F202H(P)	22	7/8	22	7/8	7/16 -20 UNF	see above	9
F202HA	DN 20	7/8	DN 20	7/8	-	see above	9
F252H(P)	22	7/8	22	7/8	7/16 -20 UNF	see above	9
F302G	42	1 5/8	42	1 5/8	7/16 -20 UNF	see above	9
F302H(P)	22	7/8	22	7/8	7/16 -20 UNF	see above	9
F302K	2 x 22	2 x 7/8	22	7/8	7/16 -20 UNF	see above	9
F312	22	7/8	22	7/8	7/16 -20 UNF	see above	9
F392T(P)	22	7/8	22	7/8	7/16 -20 UNF	see above	9
F402H(P)	28	1 1/8	28	1 1/8	7/16 -20 UNF	see above	9
F402HA	DN 25	1 1/8	DN 25	1 1/8	-	see above	9
F552T(P)	28	1 1/8	28	1 1/8	7/16 -20 UNF	see above	9
F562G	54	2 1/8	42	1 1/8	7/16 -20 UNF	see above	13
F562K	2 x 22	2 x 7/8	22	7/8	7/16 -20 UNF	see above	13
F562N	35	1 3/8	28	1 1/8	7/16 -20 UNF	see above	9
F562NP	42	1 5/8	35	1 3/8	-	see above	9
F562NA	DN 40	1 5/8	DN 32	1 3/8	-	see above	9
F732N	35	1 3/8	28	1 1/8	7/16 -20 UNF	see above	9
F732NP	42	1 5/8	35	1 3/8	-	see above	9
F902N	42	1 5/8	35	1 3/8	7/16 -20 UNF	see above	9
F902NP	42	1 5/8	35	1 3/8	-	see above	9
F1052G	54	2 1/8	42	1 5/8	7/16 -20 UNF	see above	13
F1052K	2 x 22	2 x 7/8	22	7/8	7/16 -20 UNF	see above	13
F1052T	42	1 5/8	35	1 3/8	7/16 -20 UNF	see above	9
F1052TP	42	1 5/8	35	1 3/8	-	see above	9
F1052TA	DN 40	1 5/8	DN 32	1 3/8	-	see above	9
F1202N	54	2 1/8	42	1 5/8	7/16 -20 UNF	see above	13
F1202NP	54	2 1/8	42	1 5/8	-	see above	13
F1602G	76	3 1/8	54	2 1/8	7/16 -20 UNF	see above	13
F1602K	2 x 28	2 x 1 1/8	28	1 1/8	7/16 -20 UNF	see above	13
F1602N	54	2 1/8	42	1 5/8	7/16 -20 UNF	see above	13



Types	1		2		3	4	6
	Inlet diameter		Outlet diameter		Pressure gauge	Pressure relief valve	Fixing diameter
F1602NP	54	2 1/8	42	1 5/8	-	see above	13
F1602NA	DN 50	2 1/8	DN 40	1 5/8	7/16 -20 UNF	see above	13
F2202N(P)	76	3 1/8	54	2 1/8	1/4 -18NPTF	see above	13
F3102N(P)	76	3 1/8	54	2 1/8	1/4 -18NPTF	see above	13
F3102NA	DN 80	3 1/8	DN 50	2 1/8	1/4 -18NPTF	see above	13
FS33	10	3/8	10	3/8	7/16 -20 UNF	see above	M10
FS36(P)	10	3/8	10	3/8	7/16 -20 UNF	see above	M10
FS48	10	3/8	10	3/8	7/16 -20 UNF	*	13
FS48P	10	3/8	10	3/8	7/16 -20 UNF	see above	13
FS53	12	1/2	10	3/8	7/16 -20 UNF	see above	M10
FS56(P)	10	3/8	10	3/8	7/16 -20 UNF	see above	M10
FS68	12	1/2	12	1/2	7/16 -20 UNF	*	13
FS68P	12	1/2	12	1/2	7/16 -20 UNF	see above	13
FS76(P)	12	1/2	12	1/2	7/16 -20 UNF	see above	13
FS78	12	1/2	12	1/2	7/16 -20 UNF	*	13
FS83	16	5/8	12	1/2	7/16 -20 UNF	see above	M10
FS102(P)	16	5/8	12	1/2	7/16 -20 UNF	see above	13
FS126(P)	12	1/2	12	1/2	7/16 -20 UNF	see above	13
FS128	16	5/8	12	1/2	7/16 -20 UNF	*	13
FS128P	16	5/8	12	1/2	7/16 -20 UNF	see above	13
FS152(P)	22	7/8	16	5/8	7/16 -20 UNF	see above	13
FS188	16	5/8	16	5/8	7/16 -20 UNF	*	13
FS202(P)	22	7/8	22	7/8	7/16 -20 UNF	see above	13
FS252(P)	22	7/8	22	7/8	7/16 -20 UNF	see above	13
FS268(P)	22	7/8	22	7/8	7/16 -20 UNF	see above	13
FS302(P)	28	1 1/8	22	7/8	7/16 -20 UNF	see above	13
FS302K	2 x 22	2 x 7/8	22	7/8	7/16 -20 UNF	see above	13
FS402(P)	28	1 1/8	22	7/8	7/16 -20 UNF	see above	13
FS562	35	1 3/8	28	1 1/8	7/16 -20 UNF	see above	13
FS562K	2 x 22	2 x 7/8	22	7/8	7/16 -20 UNF	see above	13
F562P	42	1 5/8	35	1 3/8	-	see above	13
FS732	35	1 3/8	28	1 1/8	7/16 -20 UNF	see above	13
FS732P	42	1 5/8	35	1 3/8	-	see above	13
FS902	42	1 5/8	35	1 3/8	7/16 -20 UNF	see above	13
FS902K	2 x 22	2 x 7/8	22	7/8	7/16 -20 UNF	see above	13
FS902P	42	1 5/8	35	1 3/8	-	see above	13
FS1122	54	2 1/8	42	1 5/8	7/16 -20 UNF	see above	13
FS1122P	54	2 1/8	42	1 5/8	-	see above	13
FS1602	54	2 1/8	42	1 5/8	7/16 -20 UNF	see above	13
FS1602K	2 x 28	2 x 1 1/8	28	1 1/8	7/16 -20 UNF	see above	13

Types	1		2		3		4		6	
	Inlet diameter		Outlet diameter		Pressure gauge		Pressure relief valve		Fixing diameter	
FS1602P	54	2 1/8	42	1 5/8	-		see above		13	
FS2202(P)	76	3 1/8	54	2 1/8	1/4 -18 NPTF		see above		13	
FS3102(P)	76	3 1/8	54	2 1/8	1/4 -18 NPTF		see above		13	
FS4002(P)	DN 100		76	3 1/8	1/4 -18 NPTF		see above		18	
FS4752(P)	DN 100		76	3 1/8	1/4 -18 NPTF		see above		18	
FS5502(P)	DN 100		76	3 1/8	1/4 -18 NPTF		see above		18	

* Connection for pressure relief valve upon request.

Tab. 4: Connection dimensions for liquid receivers

4.11 Oil separator connections

Mount the oil separators onto a horizontal surface with the fixing (12) marked in the drawing facing downwards! Mount the oil separators of the OAS series with the fixing (12) marked in the drawing onto a vertical surface! Keep the orientation of the connections as shown in the drawing!

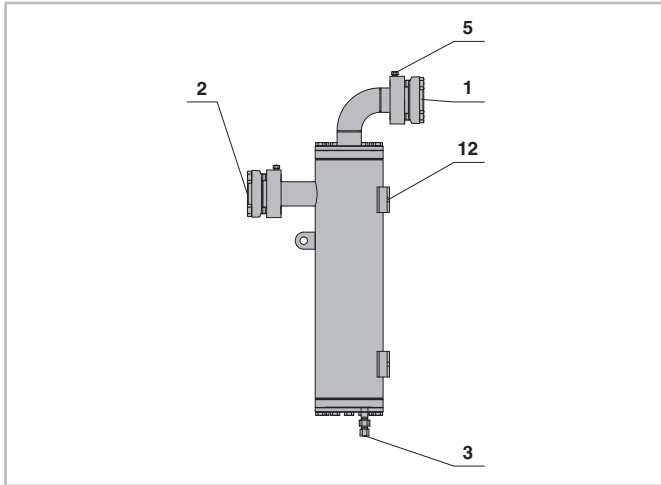


Fig. 12: OAS322 .. OAS3088

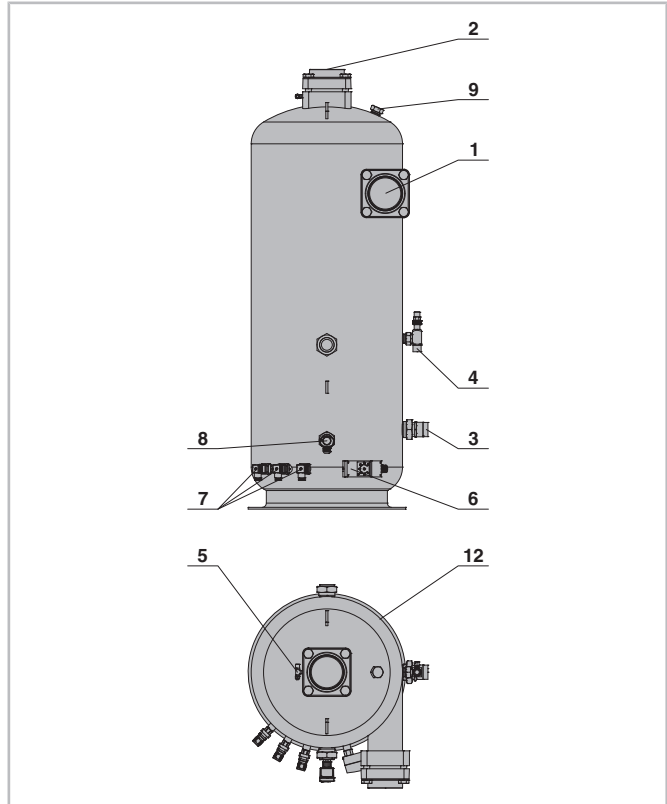


Fig. 14: OA9111(A) .. OA25112(A), OAF15211

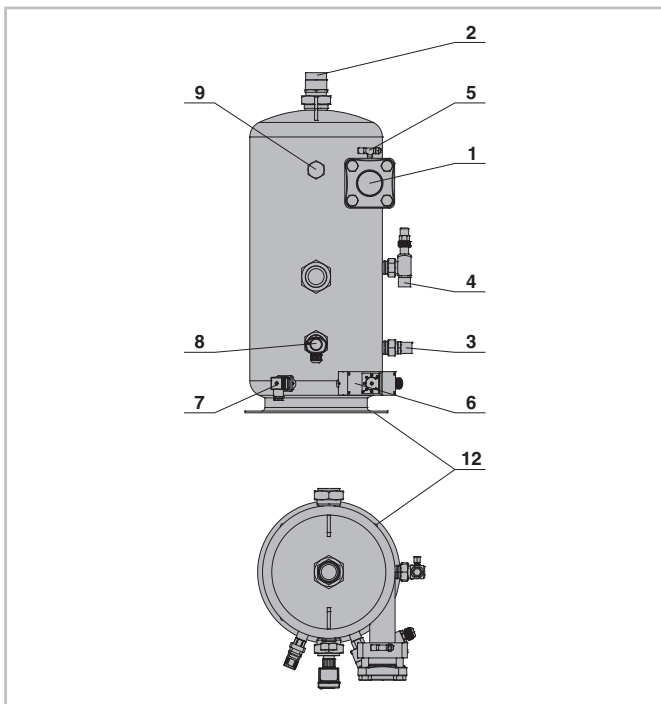


Fig. 13: OA1954(A) .. OA4188(A), OAF6288

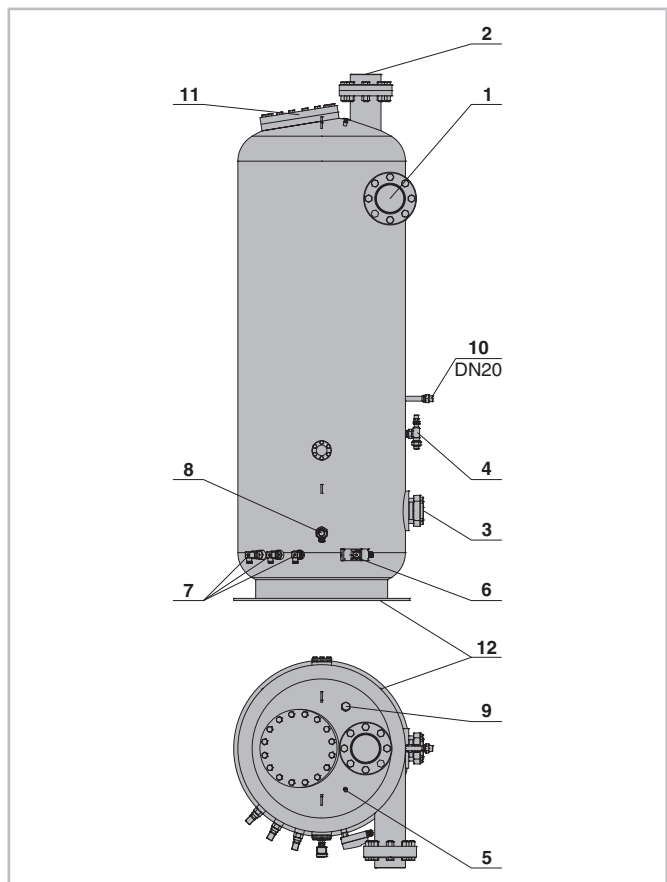


Fig. 15: OAC14011A .. OAC25112A

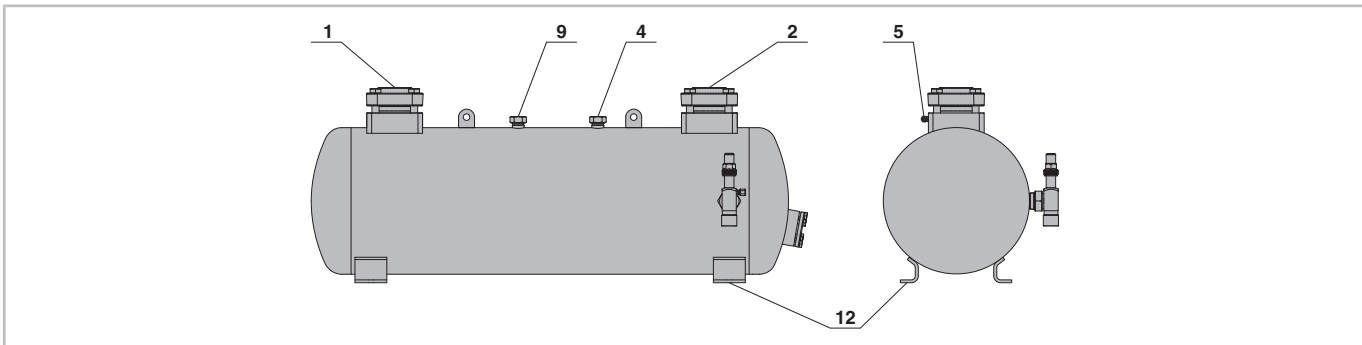


Fig. 16: OAH2888 .. OAH7088

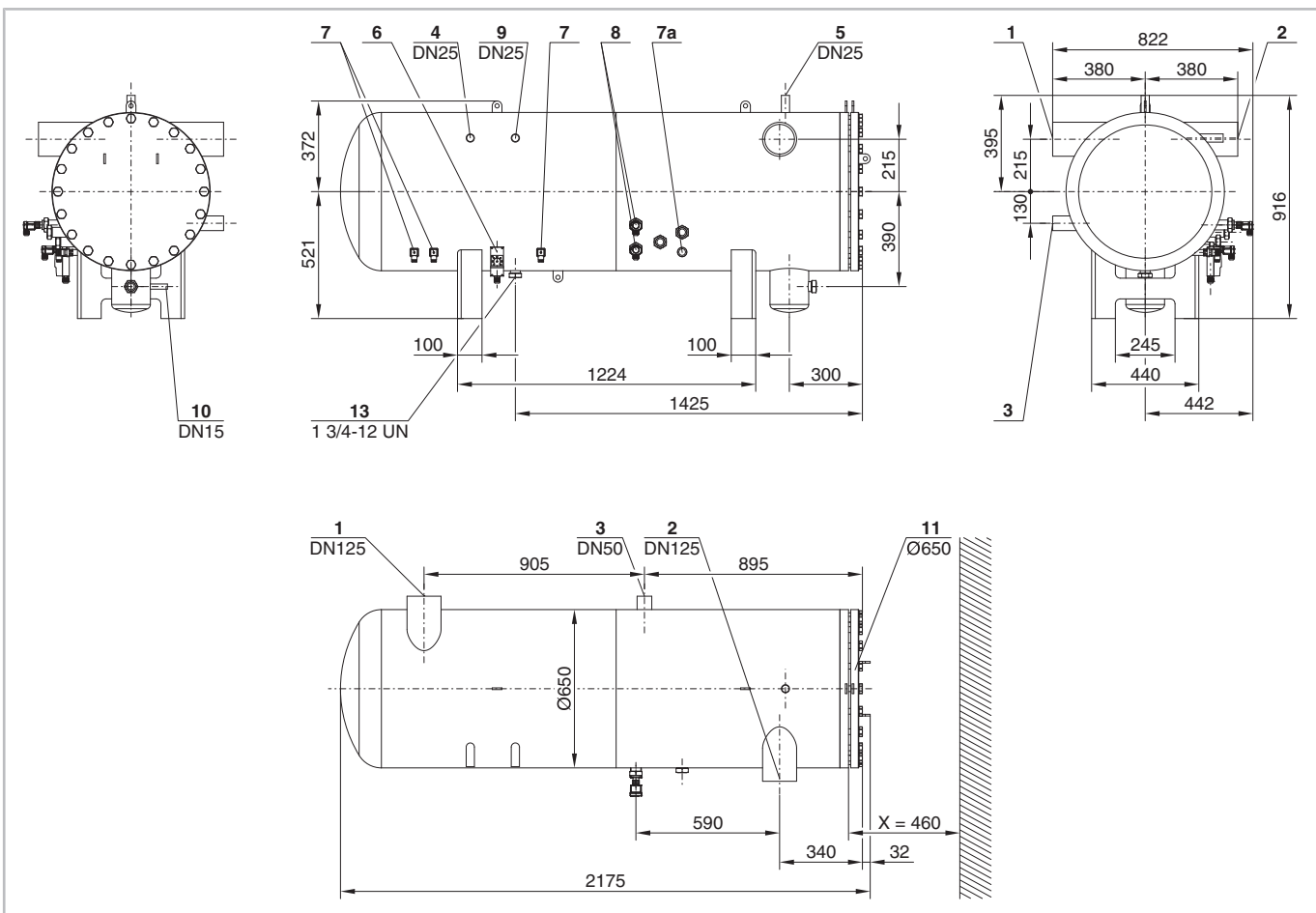


Fig. 17: OAH65051A

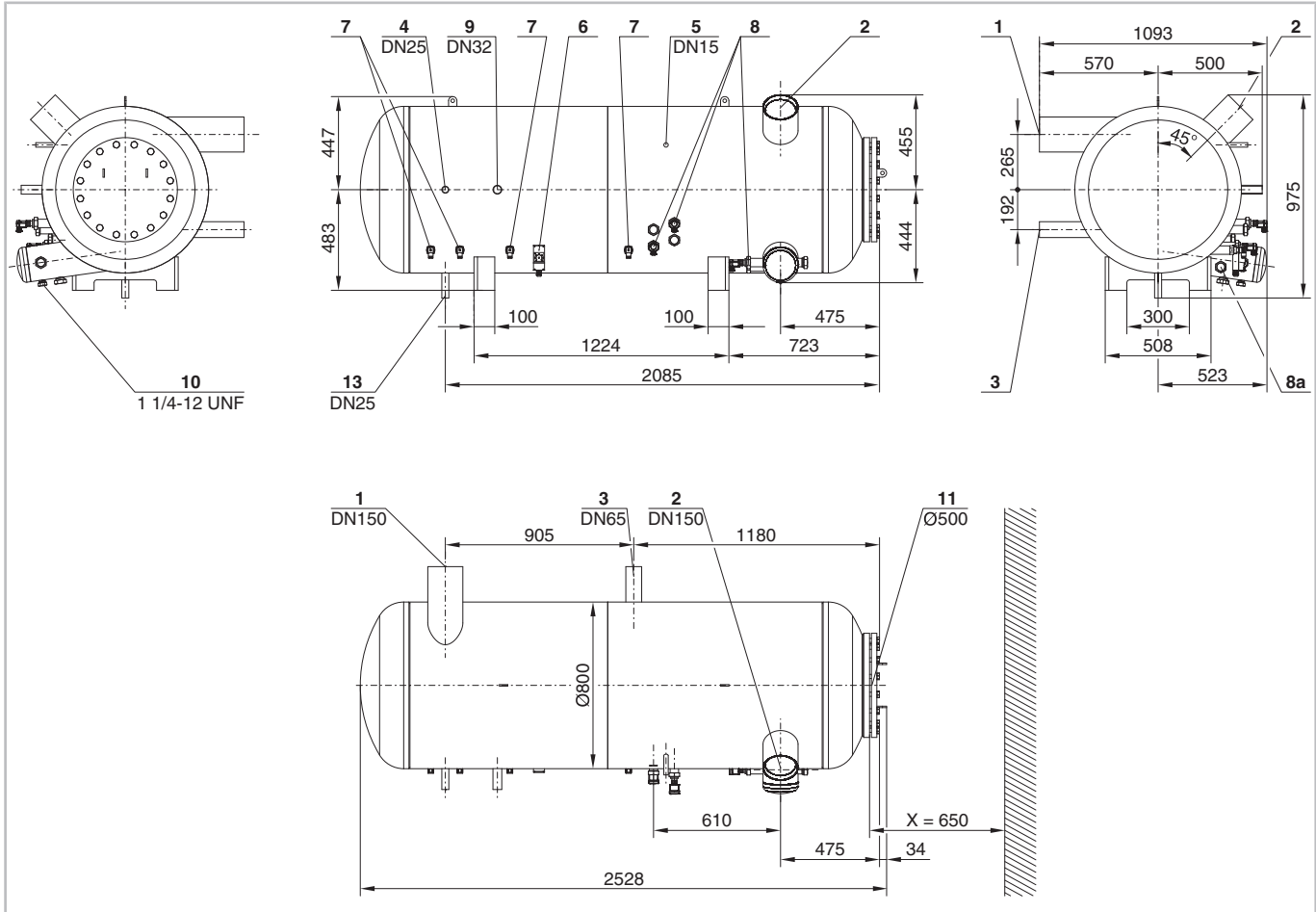


Fig. 18: OAHC80051A

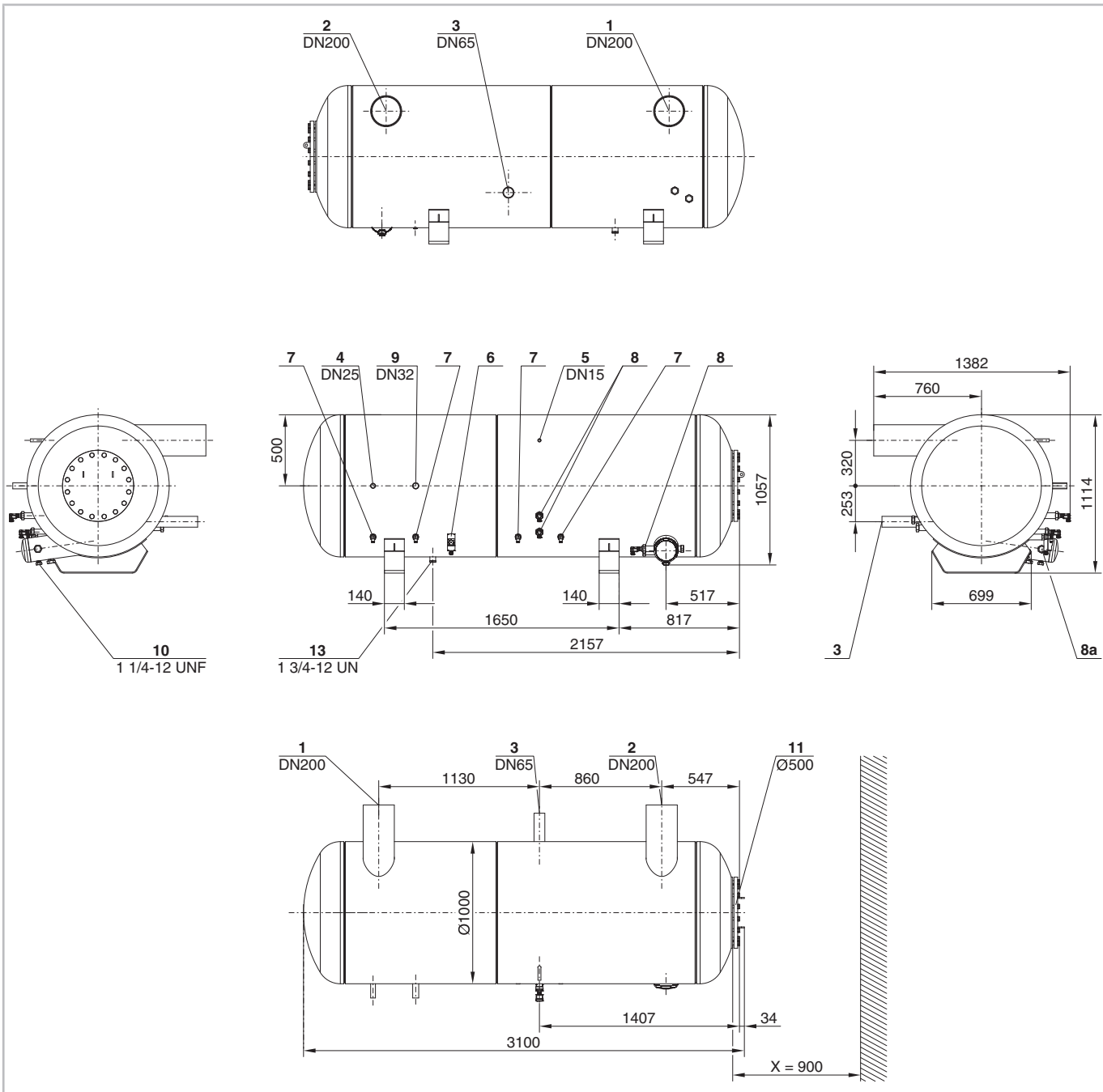


Fig. 19: OAH100051A

Connection positions	
1	Refrigerant inlet
2	Refrigerant outlet
3	Oil outlet
4	Oil fill connection
5	OAHC maintenance connection: Connection for pressure compensation line
6	Oil thermostat connection
7	Connection for oil heating
7a	Heater sleeve (for optional oil heater)
8	Connection for oil level switch
9	Connection for pressure relief valve
10	Oil outlet (secondary stage, with OAHC: tertiary stage)
11	Maintenance flange for filter cartridges (filters of the secondary stage, with OAHC: filters of the tertiary stage)
12	Fixing hole
13	Oil drain

Tab. 5: Connection positions

Dimensions (if specified) may have tolerances according to EN ISO 13920-B.

The legend applies to all BITZER oil separators and contains connection positions that do not occur in every oil separator series.

4.12 Connection dimensions for oil separators

Types	1 Ø	2 Ø	3 Ø	4 Ø	5	6	7	9*	12 Ø
OA1954	DN 50	42 mm, 1 5/8	Rotalock 22 mm, 7/8	Rotalock 22 mm, 7/8	1/8 - 27 NPTF	3/8 - 18 NPTF	3/8 - 18 NPTF	1 1/4 - 12 UNF	13
OA4188	DN 80	DN 80	Rotalock 35 mm, 1 3/8	Rotalock 22 mm, 7/8	1/8 - 27 NPTF	3/8 - 18 NPTF	3/8 - 18 NPTF	1 1/4 - 12 UNF	13
OA9111	DN 100	DN 100	42 mm, 1 5/8	Rotalock 22 mm, 7/8	1/8 - 27 NPTF	3/8 - 18 NPTF	3/8 - 18 NPTF	1 1/4 - 12 UNF	14
OA14111	DN 100	DN 100	54 mm, 2 1/8	Rotalock 22 mm, 7/8	1/8 - 27 NPTF	3/8 - 18 NPTF	3/8 - 18 NPTF	1 1/4 - 12 UNF	14
OA25112	DN 125	DN 125	76 mm, 3 1/8	Rotalock 22 mm, 7/8	1/8 - 27 NPTF	3/8 - 18 NPTF	1 1/8 - 18 UNEF	1 1/4 - 12 UNF	14
OA1954A	DN 50	DN 50	DN 20	DN 12	1/8 - 27 PTF	3/8 - 18 NPTF	3/8 - 18 NPTF	1 1/4 - 12 UNF	13
OA4188A	DN 80	DN 80	DN 32	DN 12	1/8 - 27 NPTF	3/8 - 18 NPTF	3/8 - 18 NPTF	1 1/4 - 12 UNF	13
OA9111A	DN 100	DN 100	DN 40	DN 12	1/8 - 27 NPTF	3/8 - 18 NPTF	3/8 - 18 NPTF	1 1/4 - 12 UNF	14
OA14111A	DN 100	DN 100	DN 50	DN 12	1/8 - 27 NPTF	3/8 - 18 NPTF	3/8 - 18 NPTF	1 1/4 - 12 UNF	14
OA25112A	DN 125	DN 125	DN 80	DN 12	1/8 - 27 NPTF	3/8 - 18 NPTF	1 1/8 - 18 UNEF	1 1/4 - 12 UNF	14
OAC14011A	DN 100	DN 100	DN 50	DN 12	1/8 - 27 NPTF	3/8 - 18 NPTF	3/8 - 18 NPTF	1 1/4 - 12 UNF	14
OAC25012A	DN 125	DN 125	DN 80	DN 12	1/8 - 27 NPTF	3/8 - 18 NPTF	1 1/8 - 18 UNEF	1 1/4 - 12 UNF	14
OAS322	DN 25	DN 25	Ø 10 mm	-	-	-	-	-	9
OAS744	DN 40	DN 40	Ø 10 mm	-	-	-	-	-	9
OAS1055	DN 50	DN 50	Ø 10 mm	-	1/8 - 27 NPTF	-	-	-	9
OAS1655	DN 50	DN 50	Ø 10 mm	-	1/8 - 27 NPTF	-	-	-	9
OAS3088	DN 80	DN 80	Ø 10 mm	-	1/8 - 27 NPTF	-	-	-	9
OAF6288	DN 80	DN 80	Rotalock Ø 12	-	1/8 - 27 NPTF	-	-	1 1/4 - 12 UNF	9
OAF15211	DN 100	DN 100	Rotalock Ø 12	-	1/8 - 27 NPTF	-	-	1 1/4 - 12 UNF	9
OAH2888	DN 80	DN 80	D35L	1 1/4 - 12 UNF	1/8 - 27 NPTF	-	-	1 1/4 - 12 UNF	13
OAH7088	DN 80	DN 80	D35L	1 1/4 - 2 UNF	-	-	-	1 1/4 - 12 UNF	13

Types	1 Ø	2 Ø	3 Ø	4 Ø	5	6	7	9*	12 Ø
OAHC65051A	DN 125	DN 125	DN 50	DN 25	DN 25	3/8 - 18 NPTF	3/8 - 18 NPTF	DN 25	-
OAHC80051A	DN 150	DN 150	DN 65	DN 25	DN 25	3/8 - 18 NPTF	1 1/8 - 18 UNEF	DN 32	-
OAHC100051A	DN 200	DN 200	DN 65	DN 25	DN 25	3/8 - 18 NPTF	1 1/8 - 18 UNEF	DN 32	-
* External thread: 1 1/4 -12 UNF, internal thread: 3/8 18 NPTF									

Tab. 6: Connection dimensions for oil separators

5 Commissioning

The pressure equipment was tested in the factory as a single unit. After installation, the tightness of the connections and of the piping system must be tested again.

5.1 Charging with oil

OA1854(A) .. OA25012(A), OA1954(A) .. OA25112(A)

Fill the entire oil charge of the system at the oil fill connection of the oil separator.

Oil quantity:

- operating charge of the oil separator
- plus the entire oil quantity circulating in the system (e.g. oil cooler, oil line)

OAS322 .. OAS3088, OAF6288 .. OAF15211

Prefill oil operating charge in secondary oil separator (OAHc: in tertiary oil separator).

Type	Operating charge
OA1954(A)	18 l
OA4188(A)	40 l
OA9111(A)	90 l
OA14111(A)	140 l
OA25112(A)	250 l
OAC14011A	140 l
OAC25112A	250 l
OAH2888	28 l
OAH7088	70 l
OAS322	approx. 0.5 l
OAS744	approx. 1.0 l
OAS1055	approx. 1.0 l
OAS1655	approx. 1.0 l
OAS3088	approx. 1.5 l
OAF6288	11.8 l
OAF15211	31.8 l
OAHc65051A	80 l
OAHc80051A	180 l
OAHc100051A	310 l

5.2 Checking tightness

Check the refrigerant circuit (assembly) for tightness, as a whole or in parts, according to EN 378-2 (or other applicable equivalent safety standards). For this, create an overpressure, preferably using dried nitrogen.



DANGER

Risk of bursting due to excessive pressure!
The pressure applied during the test must never exceed the maximum permitted values!
Test pressure: 1.1-fold of the maximum allowable pressure (see name plate). Make a distinction between the high-pressure and low-pressure sides!

5.3 Evacuation

- Switch on the oil heater.
- Open all shut-off valves and solenoid valves.
- Use a vacuum pump to evacuate the entire system, including the compressor, on the suction side and the high pressure side.

With the vacuum pump shut off, a "standing vacuum" lower than 1.5 mbar must be achieved.

- Repeat the operation several times if necessary.

**NOTICE**

Risk of damage to the motor and compressor!
Do not start the compressor while it is in a vacuum!
Do not apply any voltage, not even for testing!

5.4 Charging refrigerant

Use only permitted refrigerants, see chapter Application ranges, page 6.

**DANGER**

Risk of bursting of components and pipelines due to hydraulic excess pressure while feeding liquid.
Serious injuries are possible.
Avoid overcharging the system with refrigerant under all circumstances!

**WARNING**

Risk of bursting due to counterfeit refrigerants!
Serious injuries are possible!
Purchase refrigerants only from reputable manufacturers and reliable distributors!

**NOTICE**

Risk of wet operation during liquid feeding!
Measure out extremely precise quantities!
Keep the oil temperature above 40°C.

- Before charging with refrigerant: Do not switch the compressor on!
- Switch on oil heater at the compressor and oil separator.
- Check the oil level in the compressor.
- Charge the condenser or receiver directly with liquid refrigerant; on systems with flooded evaporator, maybe also the evaporator.
- Blends must be taken out of the charging cylinder as a solid liquid.
- After commissioning, it may be necessary to add refrigerant: While the compressor is running, charge with refrigerant on the suction side, preferably at the evaporator inlet.

5.5 Compressor start

5.5.1 Checking the oil level

In the oil separators, the oil level must be visible in the sight glass or, at the most, 5 cm below it.

5.5.2 Vibrations

The whole system, particularly the pipelines and capillary tubes, must be checked for abnormal vibrations. If required, take additional safety measures.

**NOTICE**

Risk of burst pipes and leakages on the compressor and system components!
Avoid strong vibrations!

**DANGER**

Risk of bursting the pressure device due to mechanical stress.
Serious injuries are possible.
Connect the pipeline to the pressure unit without stress!

5.5.3 Checking the operating data

- Evaporation temperature
- Suction gas temperature
- Condensing temperature
- Discharge gas temperature
- Oil temperature
- Cycling rate

Prepare data protocol.

6 Operation

The pressure equipment must be checked at regular intervals by qualified and authorised staff. The test intervals depend on the mode of operation. They must be defined by the system operator.

7 Maintenance

Liquid receivers and oil separators OA1854(A) .. OA25012(A) / OA1954(A) .. OA25112(A) are designed for a maintenance-free operation.

The filter cartridges in combined and secondary oil separators must be changed when the pressure drop exceeds 0.5 bar.

7.1 Changing the filter cartridges

- Close the shut-off valves before and after the oil separator.
- Depressurize the oil separators. For this, extract the refrigerant and dispose of it properly.
- Remove the filter cartridges.
- Install new cartridges accordingly.
- Complete oil charge (see chapter Charging with oil, page 27). Do not re-use the used oil!



WARNING

The pressure equipment is under pressure!
 Serious injuries are possible!
 Depressurise the pressure equipment!
 Wear safety goggles!

7.1.1 OAC series

See see figure 20, page 30.

- Open the service flange (1).
- The filter cartridges are arranged in pairs one above the other: The OAC14011A contains 4 cartridge pairs, the OAC25112A contains 6.
- Remove the cartridge pairs one after the other: Remove the sealing nut (2) and centring piece (3). Take out the upper filter cartridge (4). Remove the upper guide bar (5). Remove the connecting piece (6). Remove the lower guide bar (7).

Take out the lower filter cartridge. The lower guide bar (7) remains in the combined oil separator.

- Remove the other cartridge pairs accordingly.
- Once the sealing nut (2) and the centring piece (3) have been removed, the respective cartridge pair can be tilted.
- Install new filter cartridges accordingly. Tighten the sealing nuts (2) (10 Nm).
- Screw the service flange (1) on (98 Nm).

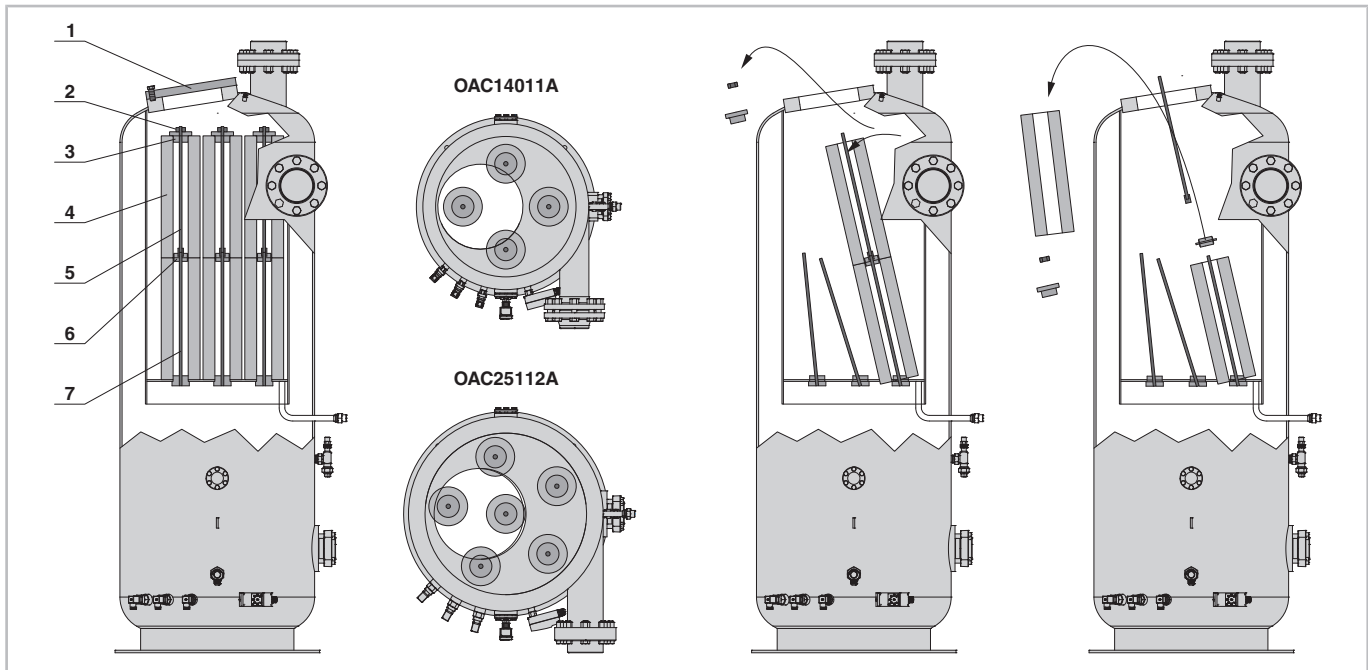


Fig. 20: OAC series: Changing the filter cartridge

1	Service flange
2	Sealing nut
3	Centring piece
4	Filter cartridge
5	Upper guide bar
6	Connecting piece
7	Lower guide bar

7.1.2 OAS series

See see figure 21, page 31.

- Drain oil from the oil return line (4).
- Open the flange (1). Collect any remaining oil.
- OAS332 and OAS744: Unscrew the filter cartridge (3). OAS1055 .. OAS3088: Remove the screw (2).
- Pull out the filter cartridge (3) downwards.

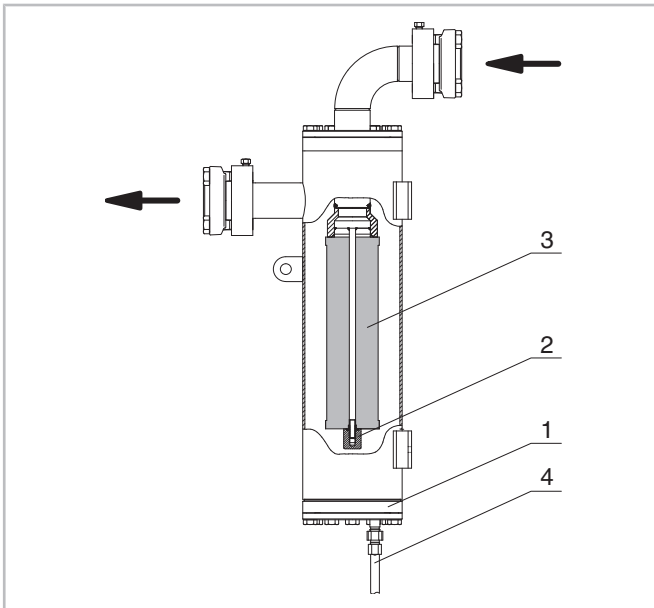


Fig. 21: OAS series: Changing the filter cartridges

1	Flange
2	Fixing screw
3	Filter cartridge
4	Oil return

7.1.3 OAHC series

See see figure 22, page 32.

- To replace the filter cartridges, attach the eyelets (4) of the cover (1) to a suitable lifting device.
- Loosen the screws on the cover (1) uniformly and remove the cover by pulling it forwards using the lifting device.

- The OAHC.A contains 4 filter cartridges (3). Loosen the fixing nuts and counter nuts (2) and take out the cartridges (3) one after the other counter-clockwise.
- Install new filter cartridges accordingly. Tighten the fixing nuts and counter nuts (2) (10 Nm).
- Insert a new gasket.
- Screw the cover (1) on (730 Nm).



WARNING

The cover is very heavy (100 kg)!
Risk of severe crushing!



Always use suitable devices to remove the cover! Wear safety shoes!

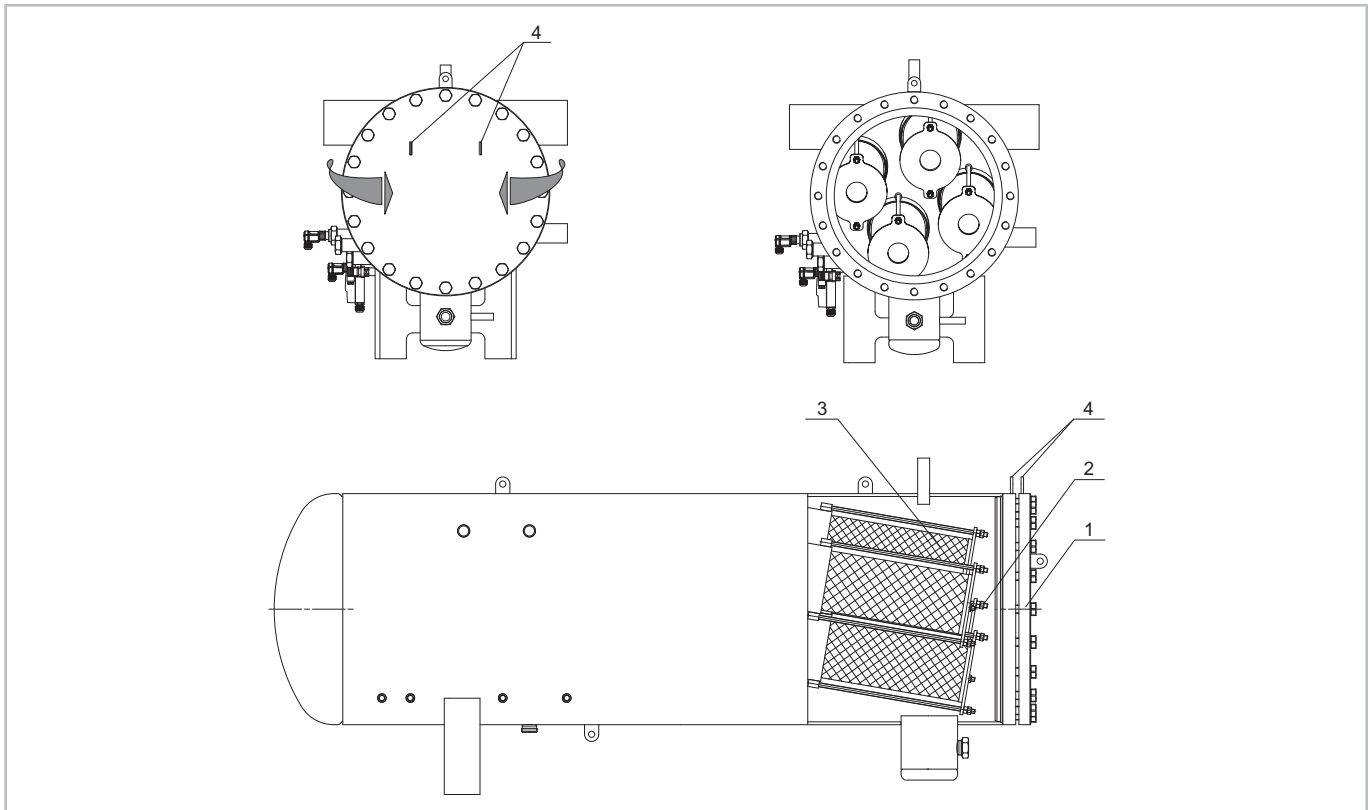


Fig. 22: OAHC series: Changing the filter cartridges

1	Cover
2	Fixing nut with counter nut
3	Filter cartridge
4	Eyelets

7.2 Extracting the refrigerant

- For repair work at the liquid receivers or when decommissioning them, extract or pump down the refrigerant as a liquid if possible.
- Dispose of the refrigerant properly.

7.3 Draining the oil

Before decommissioning the pressure equipment or performing repair work, shut off the refrigerant pipes and oil pipes before and behind the oil cooler. Keep a pan ready. Drain oil, collect oil and dispose of it properly.



WARNING

The pressure equipment is under pressure!
Serious injuries are possible!
Depressurise the pressure equipment!
Wear safety goggles!

8 Decommissioning

In case of damage, the pressure vessel must be separated from the refrigerator system and replaced. For this, extract the refrigerant and remove the oil.

Dispose of contaminated substances properly! Chlorine-containing oil is hazardous waste.

Inhaltsverzeichnis

1	Einleitung	36
2	Sicherheit	36
2.1	Autorisiertes Fachpersonal.....	36
2.2	Restgefahren.....	36
2.3	Sicherheitshinweise.....	36
2.3.1	Allgemeine Sicherheitshinweise.....	37
3	Anwendungsbereiche	38
3.1	Besondere Hinweise für CO ₂ -Flüssigkeitssammler.....	39
3.2	Anlage anmelden.....	39
3.3	Konformität.....	40
4	Montage	41
4.1	Druckbehälter transportieren.....	41
4.2	Aufstellort.....	41
4.3	Maximal zulässiger Druck.....	42
4.4	Ausbaufreiraum für Messsonde.....	42
4.5	Ausbaufreiraum für Filterpatrone.....	43
4.6	Lieferzustand.....	43
4.7	Rohrleitungen anschliessen.....	43
4.7.1	Druckentlastungsventil montieren.....	44
4.8	Ölabscheider.....	45
4.9	Anschlüsse Flüssigkeitssammler.....	46
4.10	Anschlussmaße für Flüssigkeitssammler.....	49
4.11	Anschlüsse Ölabscheider.....	52
4.12	Anschlussmaße für Ölabscheider.....	57
5	In Betrieb nehmen	59
5.1	Öl einfüllen.....	59
5.2	Dichtheit prüfen.....	59
5.3	Evakuieren.....	59
5.4	Kältemittel einfüllen.....	60
5.5	Verdichteranlauf.....	60
5.5.1	Ölniveau prüfen.....	60
5.5.2	Schwingungen.....	60
5.5.3	Betriebsdaten überprüfen.....	60
6	Betrieb	61
7	Wartung	61
7.1	Filterpatronen wechseln.....	61
7.1.1	OAC Serie.....	62
7.1.2	OAS Serie.....	63
7.1.3	OAHC Serie.....	64
7.2	Kältemittel absaugen.....	65
7.3	Öl ablassen.....	65

8 Außer Betrieb nehmen 65

1 Einleitung

Diese Druckgeräte sind zum Einbau in Kälteanlagen entsprechend der EU-Maschinenrichtlinie 2006/42/EG und der EU-Druckgeräterichtlinie 2014/68/EU vorgesehen. Sie dürfen nur in Betrieb genommen werden, wenn sie gemäß vorliegender Montage-/Betriebsanleitung in diese Maschinen eingebaut worden sind und als Ganzes mit den entsprechenden gesetzlichen Vorschriften übereinstimmen (angewandte Normen: siehe Konformitätserklärung).

Die Druckgeräte sind nach dem aktuellen Stand der Technik und entsprechend den geltenden Vorschriften gebaut. Auf die Sicherheit der Anwender wurde besonderer Wert gelegt.

Diese Betriebsanleitung während der gesamten Druckbehälterlebensdauer an der Kälteanlage verfügbar halten.

2 Sicherheit

2.1 Autorisiertes Fachpersonal

Sämtliche Arbeiten an Druckgeräten und Kälteanlagen dürfen nur von Fachpersonal ausgeführt werden, das in allen Arbeiten ausgebildet und unterwiesen wurde. Für die Qualifikation und Sachkunde des Fachpersonals gelten die jeweils landesüblichen Vorschriften und Richtlinien.

2.2 Restgefahren

Vom Druckgerät können unvermeidbare Restgefahren ausgehen. Jede Person, die an diesem Gerät arbeitet, muss deshalb diese Betriebsanleitung sorgfältig lesen!

Es gelten zwingend

- die einschlägigen Sicherheitsvorschriften und Normen (z.B. EN 378)
- die allgemein anerkannten Sicherheitsregeln,
- die EU-Richtlinien,
- nationale Vorschriften.

2.3 Sicherheitshinweise

sind Anweisungen um Gefährdungen zu vermeiden. Sicherheitshinweise genauestens einhalten!



HINWEIS

Sicherheitshinweis um eine Situation zu vermeiden, die die Beschädigung eines Geräts oder dessen Ausrüstung zur Folge haben könnte.



VORSICHT

Sicherheitshinweis um eine potentiell gefährliche Situation zu vermeiden, die eine geringfügige oder mäßige Verletzung zur Folge haben könnte.



WARNUNG

Sicherheitshinweis um eine potentiell gefährliche Situation zu vermeiden, die den Tod oder eine schwere Verletzung zur Folge haben könnte.



GEFAHR

Sicherheitshinweis um eine unmittelbar gefährliche Situation zu vermeiden, die eine schwere Verletzung oder den Tod zur Folge hat.

2.3.1 Allgemeine Sicherheitshinweise

Auslieferungszustand



VORSICHT

Das Druckgerät ist mit Schutzgas gefüllt: Überdruck 0,2 .. 0,5 bar.
Verletzungen von Haut und Augen möglich.
Druckgerät auf drucklosen Zustand bringen!
Schutzbrille tragen!



GEFAHR

Berstgefahr des Druckgeräts durch mechanische Spannungen.
Schwere Verletzungen möglich.
Rohrleitungen spannungsfrei an das Druckgerät montieren!



GEFAHR

Berstgefahr von Bauteilen und Rohrleitungen durch hydraulischen Überdruck.
Schwere Verletzungen möglich.
Maximal zulässige Drücke nicht überschreiten!

Bei Arbeiten am Druckgerät, nachdem die Anlage in Betrieb genommen wurde



VORSICHT

Oberflächentemperaturen von über 60°C bzw. unter 0°C.



Verbrennungen und Erfrierungen möglich.
Zugängliche Stellen absperren und kennzeichnen.

Vor Arbeiten am Druckgerät: Anlage ausschalten und abkühlen lassen.



WARNUNG

Druckgerät steht unter Druck!
Schwere Verletzungen möglich!
Druckgerät auf drucklosen Zustand bringen!
Schutzbrille tragen!



VORSICHT

Öl kann sehr heiß sein.
Schwere Verbrennungen möglich.
Öl abkühlen lassen.



3 Anwendungsbereiche

Typ	Fluidgruppe nach 2014/68/EU (PED)	Sicherheitsgruppe nach EN 378	PS Maximal zulässiger Druck	TS Zulässige maximale und minimale Temperatur
F062H(P) .. F3102N(P), F182 .. F312, F302G .. F1602G, F212N3, FS33 .. FS268, FS36(P) .. FS3102(P), FS4002(P) .. FS5502(P)	1 + 2	A1, A2, A2L, A3	33 bar	120°C / -10°C
F202HA .. F3102NA	1 + 2	A1, A2, A2L, A3, B2L	28 bar	120°C / -10°C
F302K .. F1602K, FS302K .. FS1602K	1 + 2	A1, A2, A2L, A3	45 bar (33 bar)	120°C / -10°C (-10°C / -20°C)
OA1954 .. OA25112, OAF6288 .. OAF15211, OAH2888 .. OAH7088	1 + 2	A1, A2, A2L, A3	28 bar	120°C / -10°C
OA1954A .. OA25112A, OAS322 .. OAS3088, OAC14011A .. OAC25112A, OAH65051A .. OAH-C100051A, OAS322 .. OAS3088	1 + 2	A1, A2, A2L, A3, B2L	28 bar	120°C / -10°C
OA1954(A) .. OA25112(A), OAF6288 .. OAF15211, OAH2888 .. OAH7088, OAS322 .. OAS3088, OAC14011A .. OAC25112A, OAH65051A .. OAH-C100051A, OAS322 .. OAS3088		Öl entsprechend ISO 6743-3, DIN 51503-1	28 bar	120°C / -10°C

Tab. 1: Zulässige Fluide

3.1 Besondere Hinweise für CO₂-Flüssigkeitssammler

- Endbuchstabe K, PS = 45 bar
- Bei üblichem Einsatz der Behälter als Flüssigkeitssammler sind aufgrund der niedrigen Betriebstemperaturen spezielle Maßnahmen zum Korrosionsschutz und eine zusätzliche Isolierung erforderlich.
- Die Sammler dürfen nur in Verbindung mit einem Druckentlastungsventil (max. 45 bar) betrieben werden. Ventile entsprechend den Vorgaben des Herstellers auslegen und anordnen.



GEFAHR

CO₂ ist ein geruchs- und farbloses Gas und wird bei Emissionen nicht direkt wahrgenommen! Bewusstlosigkeit und Erstickungsgefahr beim Einatmen zu hoher Konzentrationen!
Austritt von CO₂ und unkontrolliertes Abblasen, v. a. in geschlossenen Räumen vermeiden!
Geschlossene Maschinenräume belüften!
Sicherheitsbestimmungen gemäß EN 378 einhalten!

3.2 Anlage anmelden

Flüssigkeitssammler und Ölabscheider sind Druckgeräte im Sinne der EU-Druckgeräterichtlinie 2014/68/EU. Deshalb muss die gesamte Anlage entsprechend den örtlichen Vorschriften bei der Aufsichtsbehörde angemeldet und von ihr genehmigt werden.

Die Kategorie für die Konformitätsbewertung des jeweiligen Druckbehälters ist in der folgenden Tabelle aufgelistet.

Für die Prüfung vor Inbetriebnahme und wiederkehrende Prüfungen sind nationale Vorschriften zu beachten (z.B. die BetrSichV in Deutschland).

In Ländern außerhalb der EU müssen jeweils die dort gültigen Vorschriften eingehalten werden.

3.3 Konformität

Typ	Behälterinhalt dm ³ (l)	Kategorie nach 2014/68/EU (PED)		Konformitäts- bewertung nach Modul
		Fluidgruppe 2	Fluidgruppe 1	
F062H(P)	6,8	II	III	B + D
F102H(P) / FS102(P)	10	II	III	B + D
F152H(P) / FS152(P)	15	II	III	B + D
F182	18	II	III	B + D
F192T(P)	19	II	III	B + D
F202H(P) / F202HA / FS202(P)	20	II	III	B + D
F212N3	21	II	III	B + D
F252H(P) / FS252(P)	25	II	III	B + D
F302H(P) / F302G / F312 / FS302(P)	30	II	III	B + D
F392T(P) / F402H(P) / F402HA / FS402(P)	39	III	IV	B + D
F552T(P)	54	III	IV	B + D
F562N(P) / F562NA / F562G / F562K / FS562(P)	56	III	IV	B + D
F562N(P)	56	III	IV	B + D
F732N(P) / FS732(P)	73	III	IV	B + D
F902N(P) / FS902(P)	89	III	IV	B + D
F1052T(P) / F1052TA / F1052G / F1052K	105	IV	IV	B + D
F1202N(P)	112	IV	IV	B + D
F1602N(P) / F1602NA / F1602G / F1602K / FS1602(P) / FS1602K	160	IV	IV	B + D
F2202N(P) / FS2202(P)	228	IV	IV	B + D
F3102N(P) / F3102NA / FS3102(P)	320	IV	IV	B + D
FS33	2,6	I	II	A2
FS36 (P)	3,0	I	II	A2
FS48	4,7	I	II	A2
FS53 / FS56(P)	5,6	I	II	A2
FS68	6,5	II	III	B + D
FS76(P) / FS83 / FS78	7,8	II	III	B + D
FS126(P) / FS128	13	II	III	B + D
FS188	18	II	III	B + D
FS268	26	II	III	B + D
F302K / FS302K	30	III	IV	B + D
FS902K	89	IV	IV	B + D
FS1122(P)	112	IV	IV	B + D
FS4002(P)	395	IV	IV	B + D
FS4752(P)	473	IV	IV	B + D

Typ	Behälterinhalt dm ³ (l)	Kategorie nach 2014/68/EU (PED)	Kategorie nach 2014/68/EU (PED)	Konformitäts- bewertung nach Modul
		Fluidgruppe 2	Fluidgruppe 1	
FS5502(P)	550	IV	IV	B + D
OA1954(A)	40	III	IV	B + D
OA4188(A)	88	III	IV	B + D
OA9111(A)	228	IV	IV	B + D
OA14111(A)	395	IV	IV	B + D
OA25112(A)	655	IV	IV	G
OAC14011A	616	IV	IV	G
OAC25112A	868	IV	IV	G
OAS322	2,7	I	II	A2
OAS744	7	I	II	A2
OAS1055	10	II	III	B + D
OAS1655	16	II	III	B + D
OAS3088	30	II	III	B + D
OAF6288	62	III	IV	B + D
OAF15211	152	IV	IV	B + D
OAH2888	112	IV	IV	B + D
OAH7088	228	IV	IV	B + D
OAHC65051A	630	IV	IV	B + D
OAHC80051A	1130	IV	IV	G
OAHC100051A	2250	IV	IV	G

Tab. 2: Kategorie und Konformitätsbewertung

4 Montage

4.1 Druckbehälter transportieren

Druckbehälter verschraubt auf der Palette transportieren. Wenn vorhanden an Transportösen oder oberen Befestigungswinkeln anheben.



GEFAHR

Schwebende Last!

Nicht unter die Maschine treten!

4.2 Aufstellort

Bei Außenaufstellung Druckbehälter durch geeignete Maßnahmen vor Korrosion (z. B. durch Seewasser oder aggressive Atmosphäre) und vor niedrigen Außentemperaturen schützen. Ggf. empfiehlt sich Rücksprache mit BITZER.

4.3 Maximal zulässiger Druck

Die gesamte Anlage muss so ausgelegt und betrieben werden, dass der maximal zulässige Druck im Druckbehälter nicht überschritten werden kann.

Druckentlastungsventile sind zwingend erforderlich, wenn

- damit zu rechnen ist, dass der maximal zulässige Druck durch äußere Wärmequellen überschritten wird (z. B. Brand) oder wenn
- die gesamte Kältemittelfüllung der Anlage größer ist als 90% des Behälterinhalts bei 20°C (Fassungsvolumen). Der Behälterinhalt ist das Volumen zwischen betriebsmäßig absperrbaren Ventilen vor und nach einem Druckbehälter. Bei Behältern, die direkt hintereinander montiert sind, gilt das Volumen aller Behälter und der Leitung.

In diesen Fällen sollten bevorzugt Überströmeinrichtungen eingesetzt werden, die das Kältemittel oder das Öl auf die Niederdruckseite der Anlage leiten (Emissionsminderung).

Sicherheitsschalteneinrichtungen

Entsprechend den örtlichen Vorschriften müssen druckbegrenzende Sicherheitsschalteneinrichtungen vorgesehen werden.

4.4 Ausbaufreiraum für Messsonde

- Option
- Flüssigkeitssammler FS202 .. FS5502

Wenn die Sonde für stufenlose Überwachung des Flüssigkeitsniveaus eingebaut ist oder nachgerüstet werden soll, muss der Flüssigkeitssammler so aufgestellt werden, dass die Messsonde nach oben herausgenommen werden kann (siehe Abbildung 1, Seite 42).

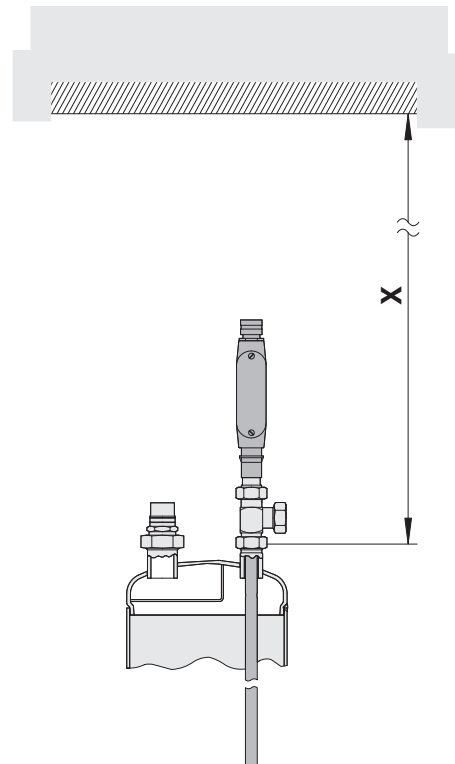


Abb. 1: Ausbaufreiraum für Messsonde

Typ	Ausbaufreiraum für Messsonde (= X)	Bausatz Messsonde
FS202	1000 mm	34740501
FS252	1160 mm	34740502
FS302 / FS562	1280 mm	34740503
FS402 / FS732	1530 mm	34740504
FS2202 / FS4002	1640 mm	34740505
FS902 / FS4752	1740 mm	34740506
FS1122	1280 mm	34740503
FS1602 / FS5502	2040 mm	34740507
FS3102	2140 mm	34740508

4.5 Ausbaufreiraum für Filterpatrone

Ölabscheider für NH₃

- OAC14011A .. OAC25112A
- OAS322 .. OAS3088
- OAHC65051A .. OAHC100051A

Kombi- und Sekundärölabscheider müssen so montiert werden, dass die Filterpatrone herausgenommen werden können (siehe Abbildung 2, Seite 43).

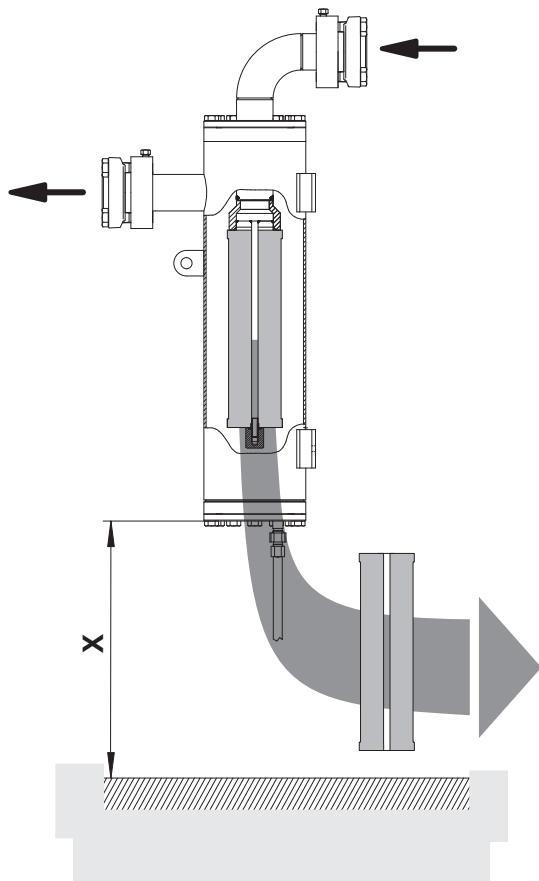


Abb. 2: Ausbaufreiraum für Filterpatrone

Typ	Ausbaufreiraum für Filterpatrone (= X)
OAC14011A	460 mm
OAC25112A	460 mm
OAS322	120 mm
OAS744	260 mm
OAS1055	300 mm
OAS1655	600 mm
OAS3088	600 mm
OAHC65051A	460 mm
OAHC80051A	460 mm
OAHC100051A	460 mm

4.6 Lieferzustand

Der Druckbehälter ist im Lieferzustand verschlossen und mit Schutzgas befüllt. Der Schutzgasüberdruck beträgt 0,2 .. 0,5 bar. Alle Rotalock- und Flanschanschlüsse sind durch Verschlusscheiben verschlossen. Diese müssen vor Inbetriebnahme entfernt werden.

4.7 Rohrleitungen anschliessen

Die Rohranschlüsse sind so ausgeführt, dass Rohre in den gängigen Millimeter- und Zollabmessungen verwendet werden können. Lötanschlüsse haben gestufte Durchmesser. Je nach Abmessung wird das Rohr mehr oder weniger tief eintauchen. Im Bedarfsfall kann das Buchsenende mit dem größeren Durchmesser auch abgesägt werden.



GEFAHR

Berstgefahr des Druckgeräts durch mechanische Spannungen.
Schwere Verletzungen möglich.
Rohrleitungen spannungsfrei an das Druckgerät montieren!

Zuerst Überdruck aus dem Druckbehälter ablassen:
Anschlüsse vorsichtig öffnen.



WARNUNG

Druckgerät steht unter Druck!
Schwere Verletzungen möglich!
Druckgerät auf drucklosen Zustand bringen!
Schutzbrille tragen!

Absperrventile und / oder Lötanschlüsse entfernen.



HINWEIS

Chemische Reaktionen bei Lufteintritt möglich!
Offenen Druckbehälter umgehend in die Anlage einbauen.

Druckbehälter während Montageunterbrechungen wieder verschliessen.



HINWEIS

Absperrventile nicht überhitzen!
Während und nach dem Löten Ventilkörper kühlen.
Maximale Löttemperatur 700°C!

Während der Löt- oder Schweißarbeiten die entsprechenden Leitungsteile mit Schutzgas spülen.

Sauberkeit der Rohre

Grundsätzlich nur Rohrleitungen und Anlagenkomponenten verwenden, die

- innen sauber und trocken sind (frei von Zunder, Metallspänen, Rost- und Phosphatschichten) und
- luftdicht verschlossen angeliefert werden.

4.7.1 Druckentlastungsventil montieren

Innengewinde 3/8-18 NPTF: Druckentlastungsventil einbauen.

Außengewinde 1 1/4-12 UNF: Druckentlastungsventil in Adapter einschrauben. Dann Adapter mit Überwurfmutter am Druckbehälter befestigen.

Lieferbare Adapter siehe Abbildung 3, Seite 44.

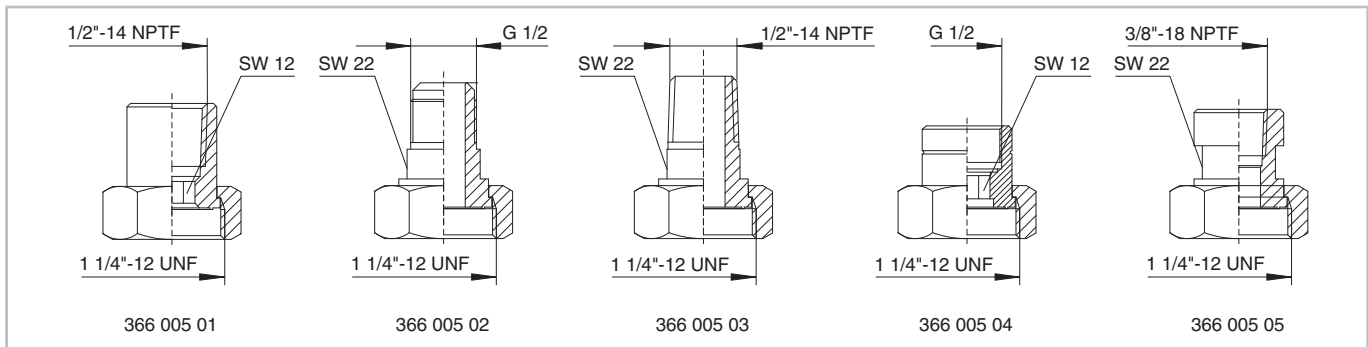


Abb. 3: Adapter für das Druckentlastungsventil

4.8 Ölabscheider

Ölheizung(en) in den Ölabscheider einbauen und gemäß Prinzipschaltbild anschließen (siehe auch SH-100, SH-500). Die Ölheizung verhindert bei längeren Stillstandszeiten eine übermäßige Kältemittelanreicherung im Öl und damit Viskositätsminderung. Sie muss im Stillstand des Verdichters eingeschaltet sein.

Ölabscheider isolieren:

- für Betrieb bei niedrigen Umgebungstemperaturen oder
- mit hohen Temperaturen auf der Hochdruckseite während des Stillstands (z.B. Wärmepumpen).

Der Ölniveuwächter und der Ölthermostat werden separat geliefert und müssen auf der Baustelle montiert werden. Einbauposition siehe Abbildung 4, Seite 45.

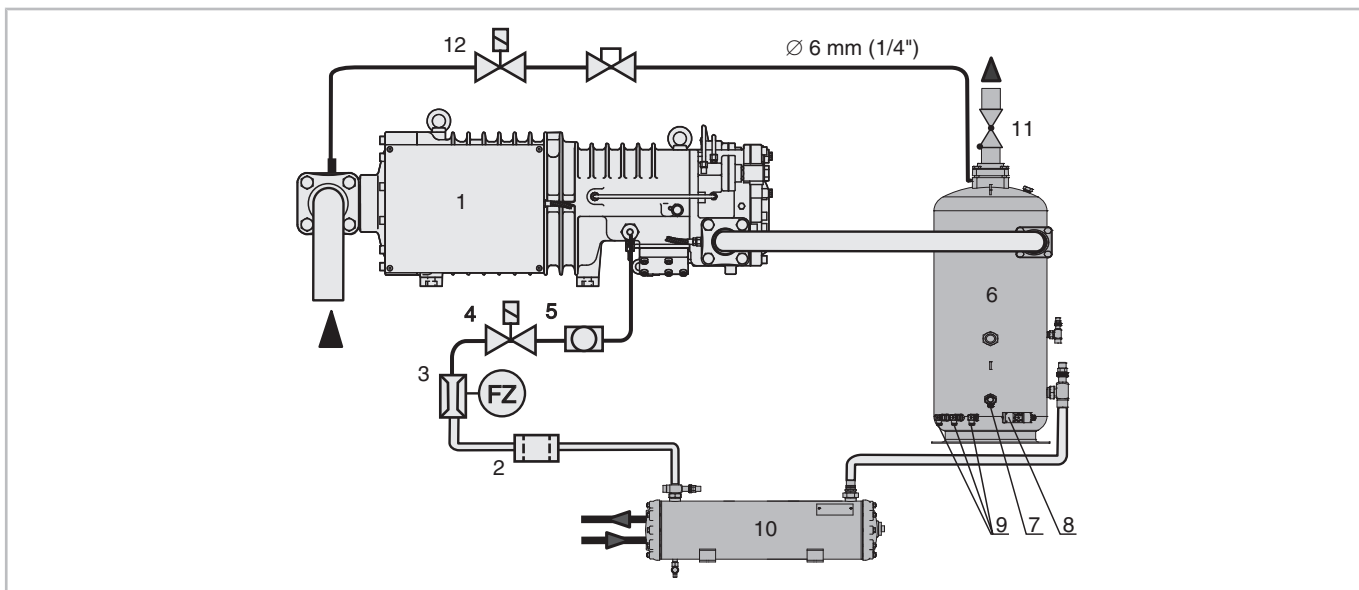


Abb. 4: Ölkreislauf (mit einem Verdichter)

1	Verdichter
2	Ölfilter
3	Öldurchflusswächter
4	Ölmagnetventil
5	Schauglas
6	Ölabscheider
7	Ölniveuwächter
8	Ölthermostat
9	Ölheizung
10	Ölkühler (bei Bedarf)
11	Rückschlagventil
12	Magnetventil (Stillstands-bypass)

4.9 Anschlüsse Flüssigkeitssammler

Die Flüssigkeitssammler mit der in der Zeichnung gekennzeichneten Befestigung (6) nach unten auf eine

waagrechte Fläche montieren! Die Ausrichtung der Anschlüsse der Zeichnung entsprechend beibehalten!

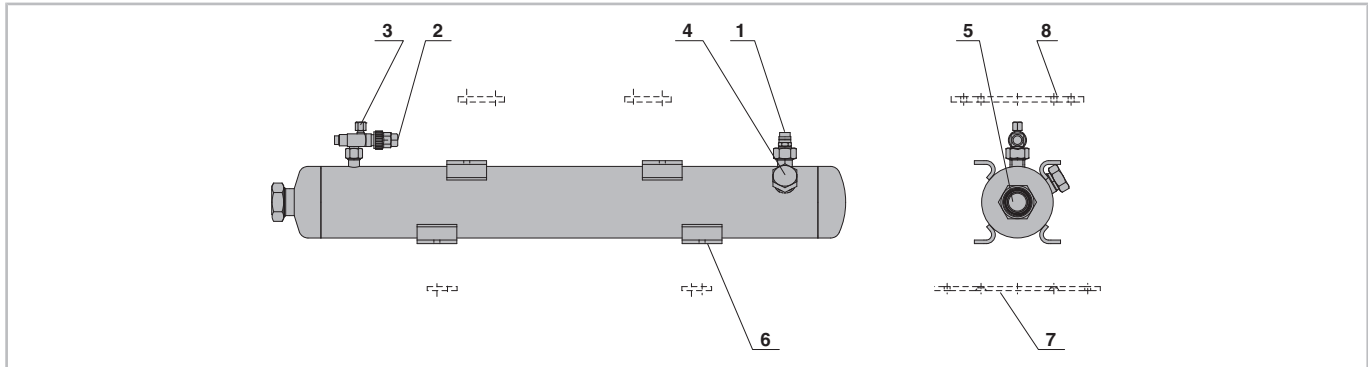


Abb. 5: F062H(P)

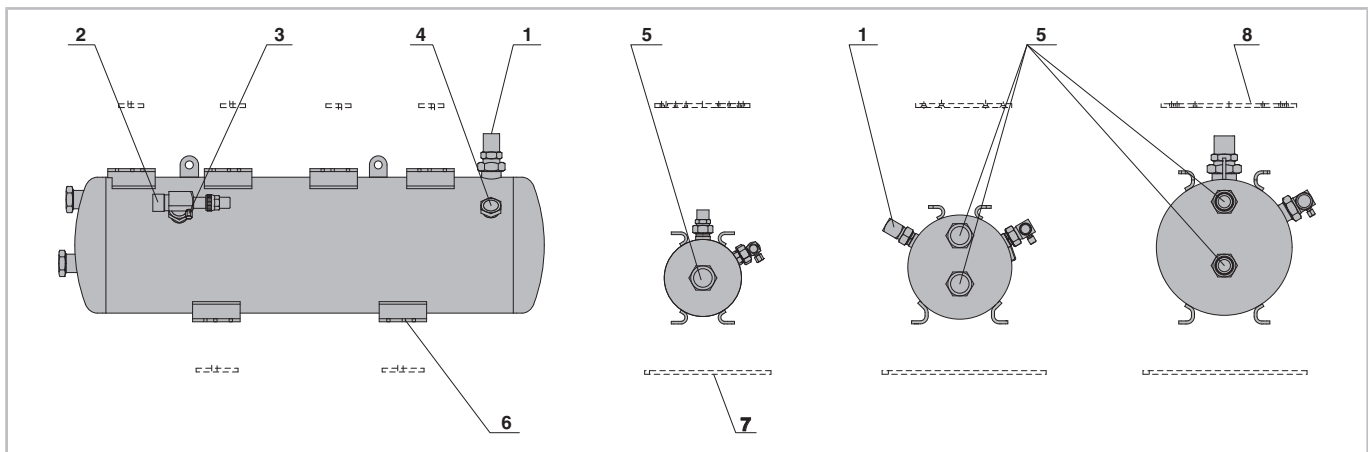


Abb. 6: F102H(P) .. F552H(P), F1052H(P), F1052T(P), F192T(P), F392T(P), F202HA .. F3102NA, F202H(P) .. F552T(P)

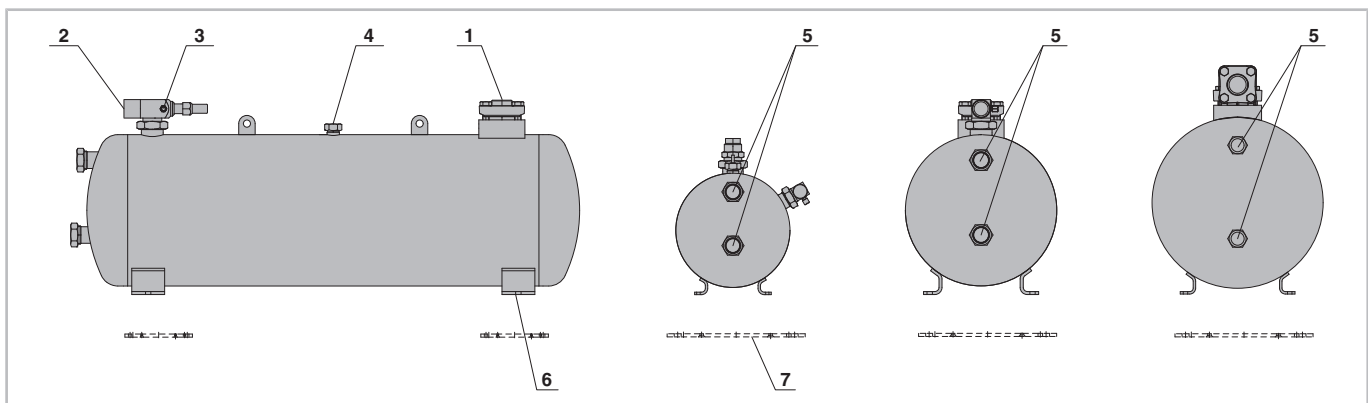


Abb. 7: F562N(P) .. F902N(P), F1202N(P) .. F3102N(P), F302G .. F1602G, F182 .. F312

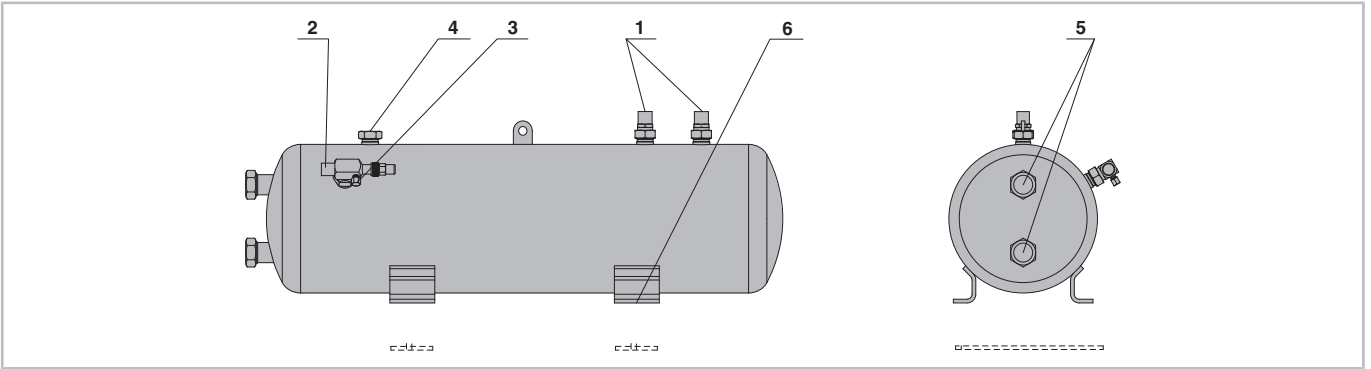


Abb. 8: F302K .. F1602K

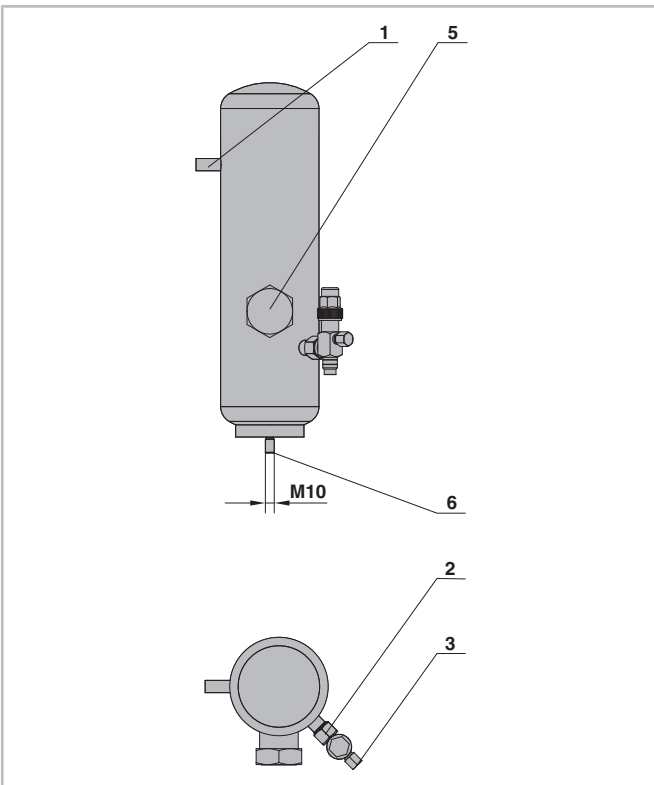


Abb. 9: FS33, FS38, FS83, FS36(P)

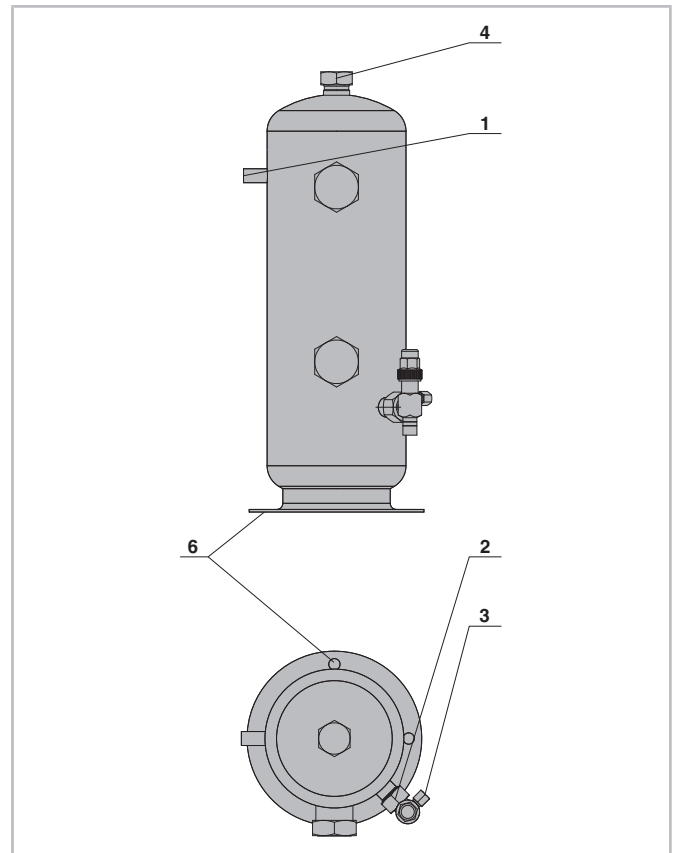


Abb. 10: FS56, FS76, FS126, FS48, FS68, FS78, FS128, FS188, FS268, FS302K .. FS1602K

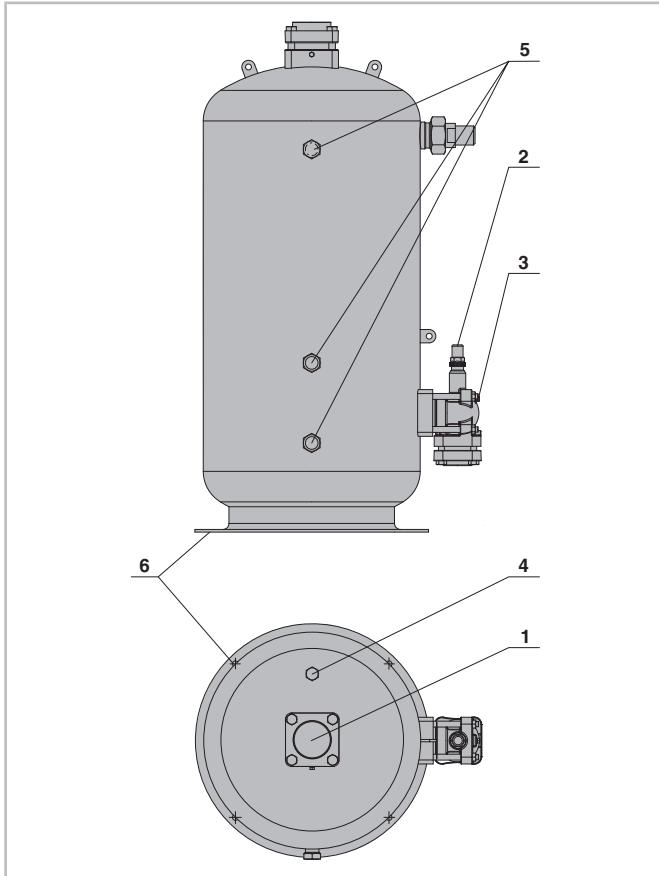


Abb. 11: FS102(P), FS152(P) .. FS5502(P)

Anschlusspositionen	
1	Kältemiteleintritt
2	Kältemittelaustritt
3	Manometeranschluss
4	Anschluss für Druckentlastungsventil
5	Schauglas
6	Befestigung

Tab. 3: Anschlusspositionen

Maßangaben (falls angegeben) können Toleranzen entsprechend EN ISO 13920-B aufweisen.

Legende gilt für alle BITZER Flüssigkeitssammler und enthält Anschlusspositionen, die nicht in jeder Sammlerserie vorkommen.

Befestigungswinkel

Endbuchstabe "N" = unten

Endbuchstabe "H" & "T" = unten & oben

4.10 Anschlussmaße für Flüssigkeitssammler

Typen	1		2		3 Manometer	4 Druckentlastungsventil	6 Befestigung Ø
	Eintritt Ø		Austritt Ø				
	mm	Zoll	mm	Zoll			
F062H(P)	12	1/2	10	3/8	7/16 -20 UNF	Innengewinde: 3/8 -18 NPTF Außengewinde: 1 1/4 -12 UNF	9
F102H(P)	16	5/8	12	1/2	7/16 -20 UNF	s.o.	9
F152H(P)	22	7/8	16	5/8	7/16 -20 UNF	s.o.	9
F182	16	5/8	16	5/8	7/16 -20 UNF	s.o.	9
F192T(P)	16	5/8	16	5/8	7/16 -20 UNF	s.o.	9
F202H(P)	22	7/8	22	7/8	7/16 -20 UNF	s.o.	9
F202HA	DN 20	7/8	DN 20	7/8	-	s.o.	9
F252H(P)	22	7/8	22	7/8	7/16 -20 UNF	s.o.	9
F302G	42	1 5/8	42	1 5/8	7/16 -20 UNF	s.o.	9
F302H(P)	22	7/8	22	7/8	7/16 -20 UNF	s.o.	9
F302K	2 x 22	2 x 7/8	22	7/8	7/16 -20 UNF	s.o.	9
F312	22	7/8	22	7/8	7/16 -20 UNF	s.o.	9
F392T(P)	22	7/8	22	7/8	7/16 -20 UNF	s.o.	9
F402H(P)	28	1 1/8	28	1 1/8	7/16 -20 UNF	s.o.	9
F402HA	DN 25	1 1/8	DN 25	1 1/8	-	s.o.	9
F552T(P)	28	1 1/8	28	1 1/8	7/16 -20 UNF	s.o.	9
F562G	54	2 1/8	42	1 1/8	7/16 -20 UNF	s.o.	13
F562K	2 x 22	2 x 7/8	22	7/8	7/16 -20 UNF	s.o.	13
F562N	35	1 3/8	28	1 1/8	7/16 -20 UNF	s.o.	9
F562NP	42	1 5/8	35	1 3/8	-	s.o.	9
F562NA	DN 40	1 5/8	DN 32	1 3/8	-	s.o.	9
F732N	35	1 3/8	28	1 1/8	7/16 -20 UNF	s.o.	9
F732NP	42	1 5/8	35	1 3/8	-	s.o.	9
F902N	42	1 5/8	35	1 3/8	7/16 -20 UNF	s.o.	9
F902NP	42	1 5/8	35	1 3/8	-	s.o.	9
F1052G	54	2 1/8	42	1 5/8	7/16 -20 UNF	s.o.	13
F1052K	2 x 22	2 x 7/8	22	7/8	7/16 -20 UNF	s.o.	13
F1052T	42	1 5/8	35	1 3/8	7/16 -20 UNF	s.o.	9
F1052TP	42	1 5/8	35	1 3/8	-	s.o.	9
F1052TA	DN 40	1 5/8	DN 32	1 3/8	-	s.o.	9
F1202N	54	2 1/8	42	1 5/8	7/16 -20 UNF	s.o.	13
F1202NP	54	2 1/8	42	1 5/8	-	s.o.	13
F1602G	76	3 1/8	54	2 1/8	7/16 -20 UNF	s.o.	13
F1602K	2 x 28	2 x 1 1/8	28	1 1/8	7/16 -20 UNF	s.o.	13
F1602N	54	2 1/8	42	1 5/8	7/16 -20 UNF	s.o.	13
F1602NP	54	2 1/8	42	1 5/8	-	s.o.	13

Typen	1		2		3	4	6
	Eintritt Ø		Austritt Ø		Manometer	Druckentlastungsventil	Befestigung Ø
F1602NA	DN 50	2 1/8	DN 40	1 5/8	7/16 -20 UNF	s.o.	13
F2202N(P)	76	3 1/8	54	2 1/8	1/4 -18NPTF	s.o.	13
F3102N(P)	76	3 1/8	54	2 1/8	1/4 -18NPTF	s.o.	13
F3102NA	DN 80	3 1/8	DN 50	2 1/8	1/4 -18NPTF	s.o.	13
FS33	10	3/8	10	3/8	7/16 -20 UNF	s.o.	M10
FS36(P)	10	3/8	10	3/8	7/16 -20 UNF	s.o.	M10
FS48	10	3/8	10	3/8	7/16 -20 UNF	*	13
FS48P	10	3/8	10	3/8	7/16 -20 UNF	s.o.	13
FS53	12	1/2	10	3/8	7/16 -20 UNF	s.o.	M10
FS56(P)	10	3/8	10	3/8	7/16 -20 UNF	s.o.	M10
FS68	12	1/2	12	1/2	7/16 -20 UNF	*	13
FS68P	12	1/2	12	1/2	7/16 -20 UNF	s.o.	13
FS76(P)	12	1/2	12	1/2	7/16 -20 UNF	s.o.	13
FS78	12	1/2	12	1/2	7/16 -20 UNF	*	13
FS83	16	5/8	12	1/2	7/16 -20 UNF	s.o.	M10
FS102(P)	16	5/8	12	1/2	7/16 -20 UNF	s.o.	13
FS126(P)	12	1/2	12	1/2	7/16 -20 UNF	s.o.	13
FS128	16	5/8	12	1/2	7/16 -20 UNF	*	13
FS128P	16	5/8	12	1/2	7/16 -20 UNF	s.o.	13
FS152(P)	22	7/8	16	5/8	7/16 -20 UNF	s.o.	13
FS188	16	5/8	16	5/8	7/16 -20 UNF	*	13
FS202(P)	22	7/8	22	7/8	7/16 -20 UNF	s.o.	13
FS252(P)	22	7/8	22	7/8	7/16 -20 UNF	s.o.	13
FS268(P)	22	7/8	22	7/8	7/16 -20 UNF	s.o.	13
FS302(P)	28	1 1/8	22	7/8	7/16 -20 UNF	s.o.	13
FS302K	2 x 22	2 x 7/8	22	7/8	7/16 -20 UNF	s.o.	13
FS402(P)	28	1 1/8	22	7/8	7/16 -20 UNF	s.o.	13
FS562	35	1 3/8	28	1 1/8	7/16 -20 UNF	s.o.	13
FS562K	2 x 22	2 x 7/8	22	7/8	7/16 -20 UNF	s.o.	13
F562P	42	1 5/8	35	1 3/8	-	s.o.	13
FS732	35	1 3/8	28	1 1/8	7/16 -20 UNF	s.o.	13
FS732P	42	1 5/8	35	1 3/8	-	s.o.	13
FS902	42	1 5/8	35	1 3/8	7/16 -20 UNF	s.o.	13
FS902K	2 x 22	2 x 7/8	22	7/8	7/16 -20 UNF	s.o.	13
FS902P	42	1 5/8	35	1 3/8	-	s.o.	13
FS1122	54	2 1/8	42	1 5/8	7/16 -20 UNF	s.o.	13
FS1122P	54	2 1/8	42	1 5/8	-	s.o.	13
FS1602	54	2 1/8	42	1 5/8	7/16 -20 UNF	s.o.	13
FS1602K	2 x 28	2 x 1 1/8	28	1 1/8	7/16 -20 UNF	s.o.	13
FS1602P	54	2 1/8	42	1 5/8	-	s.o.	13
FS2202(P)	76	3 1/8	54	2 1/8	1/4 -18 NPTF	s.o.	13

Typen	1		2		3		4	6
	Eintritt Ø		Austritt Ø		Manometer		Druckentlastungsventil	Befestigung Ø
FS3102(P)	76	3 1/8	54	2 1/8	1/4 -18 NPTF		s.o.	13
FS4002(P)	DN 100		76	3 1/8	1/4 -18 NPTF		s.o.	18
FS4752(P)	DN 100		76	3 1/8	1/4 -18 NPTF		s.o.	18
FS5502(P)	DN 100		76	3 1/8	1/4 -18 NPTF		s.o.	18

* Anschluss für Druckentlastungsventil auf Anfrage.

Tab. 4: Anschlussmaße Flüssigkeitssammler

4.11 Anschlüsse Ölabscheider

Die Ölabscheider mit der in der Zeichnung gekennzeichneten Befestigung (12) nach unten auf eine waagrechte Fläche montieren! Die Ölabscheider der OAS-Serie mit der in der Zeichnung gekennzeichneten Befestigung (12) an eine senkrechte Fläche montieren! Die Ausrichtung der Anschlüsse der Zeichnung entsprechend beibehalten!

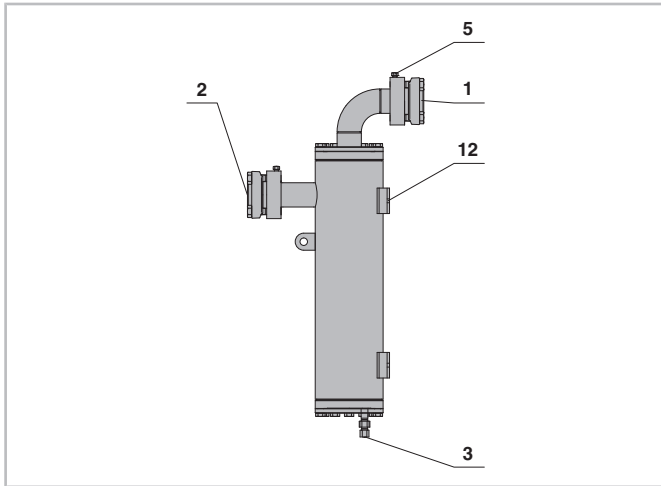


Abb. 12: OAS322 .. OAS3088

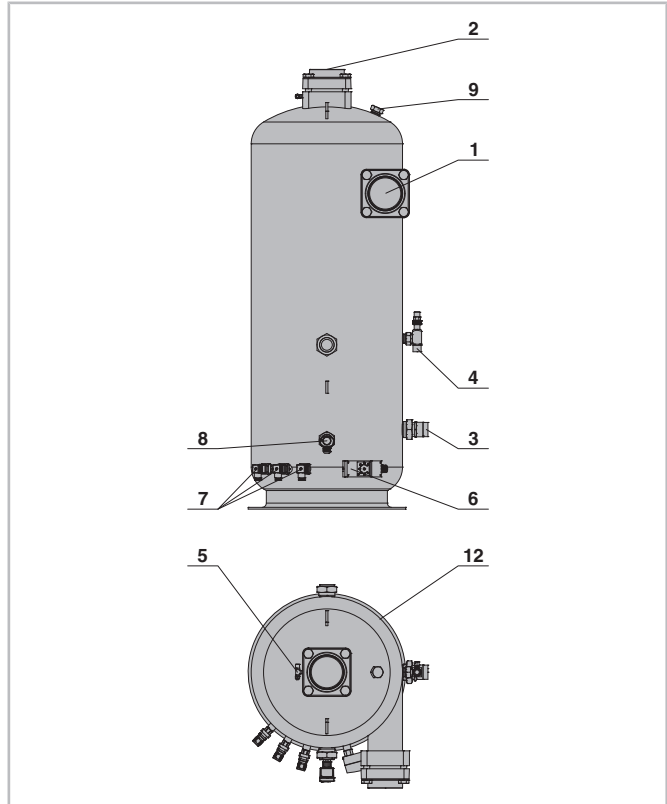


Abb. 14: OA9111(A) .. OA25112(A), OAF15211

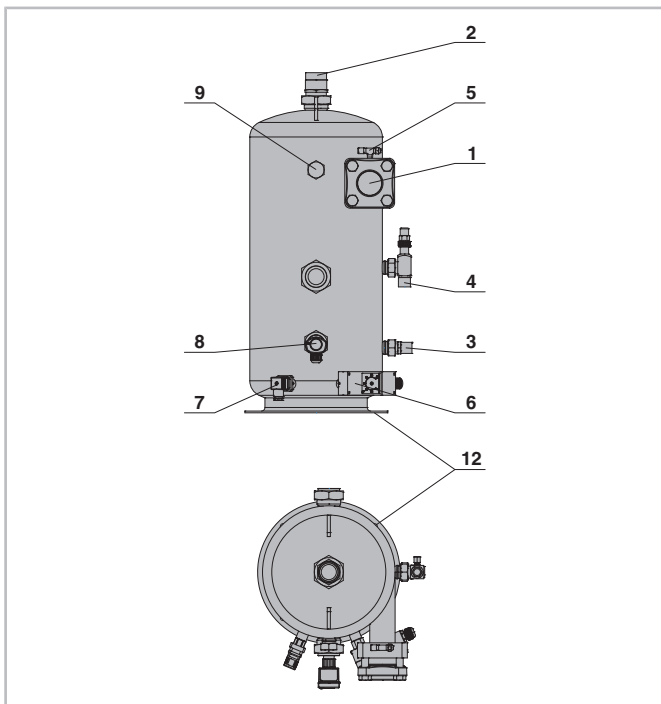


Abb. 13: OA1954(A) .. OA4188(A), OAF6288

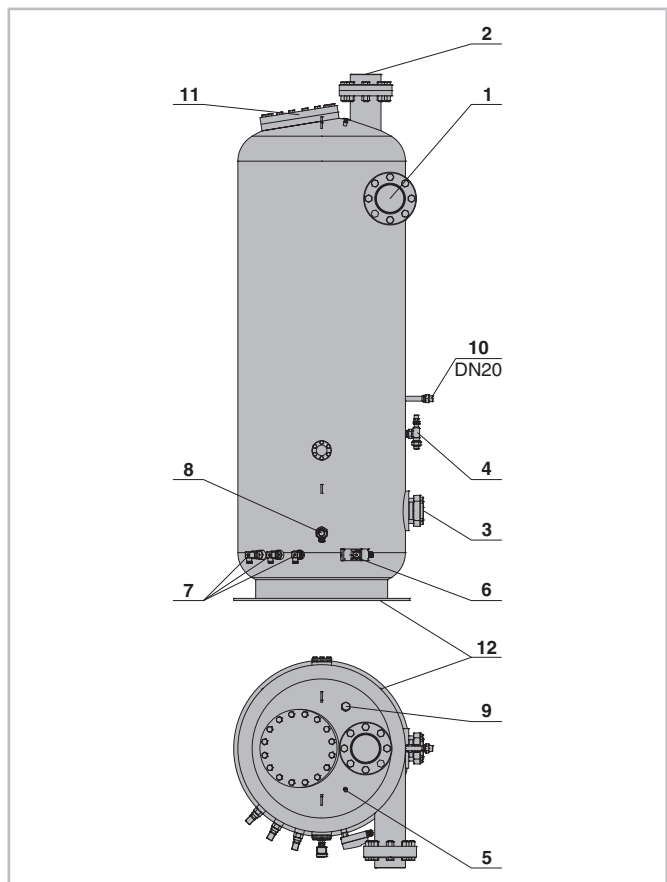


Abb. 15: OAC14011A .. OAC25112A

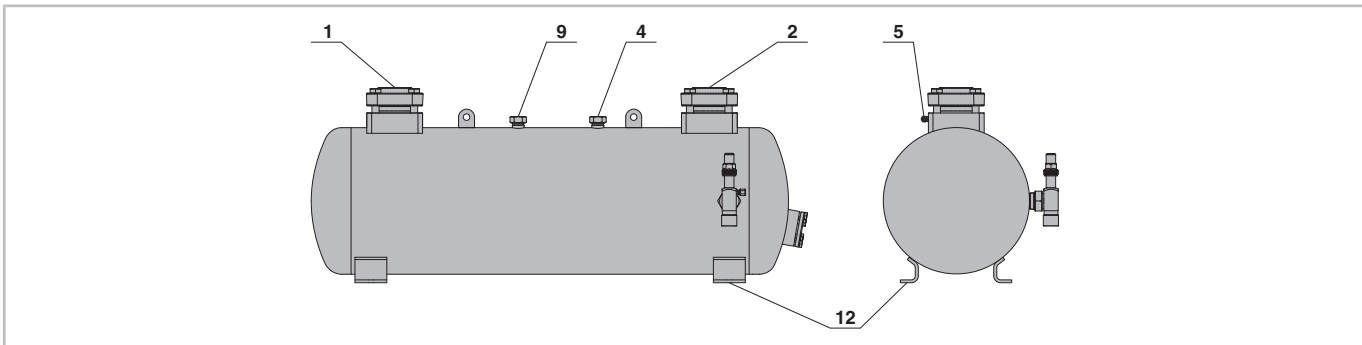


Abb. 16: OAH2888 .. OAH7088

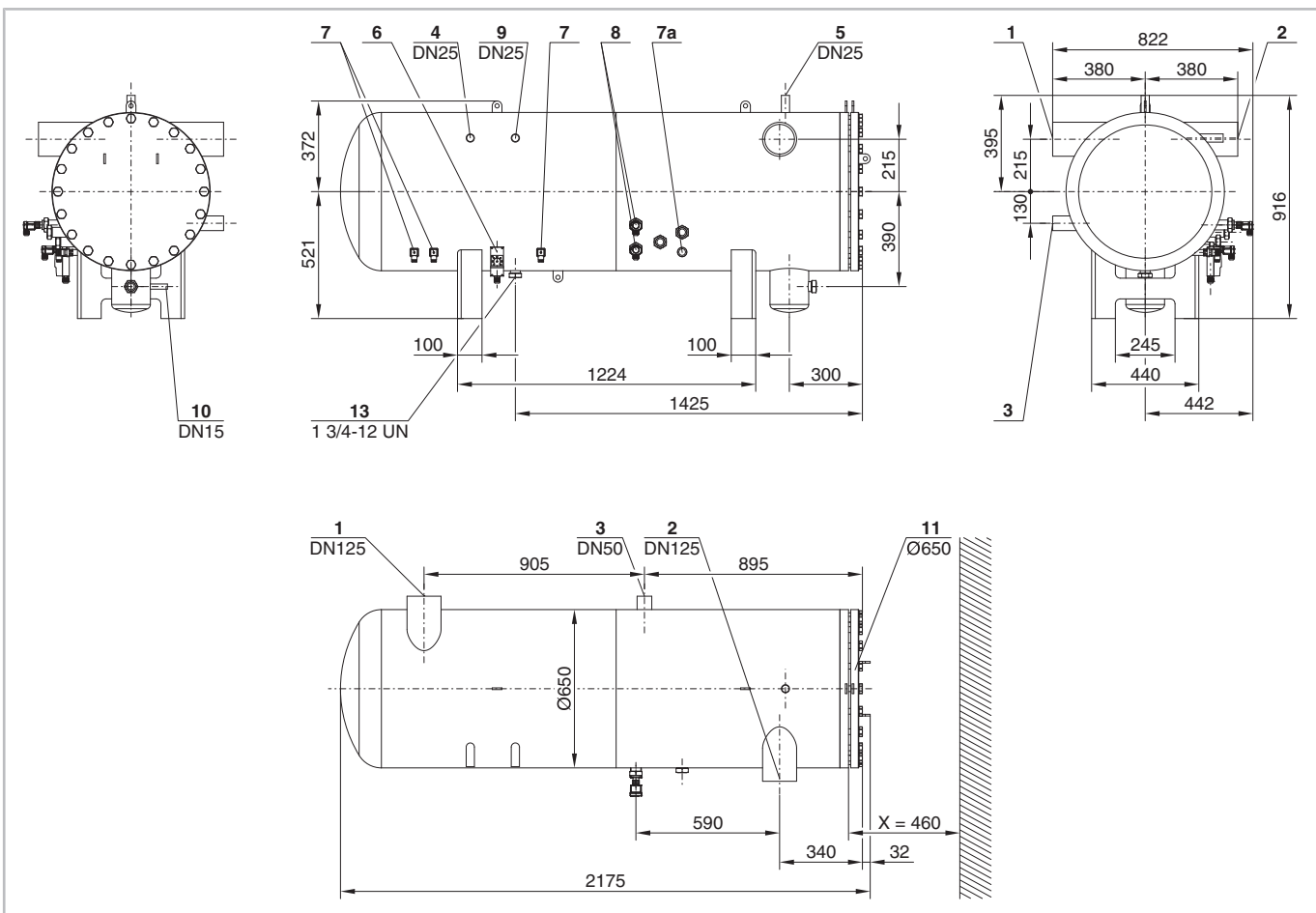


Abb. 17: OAH65051A

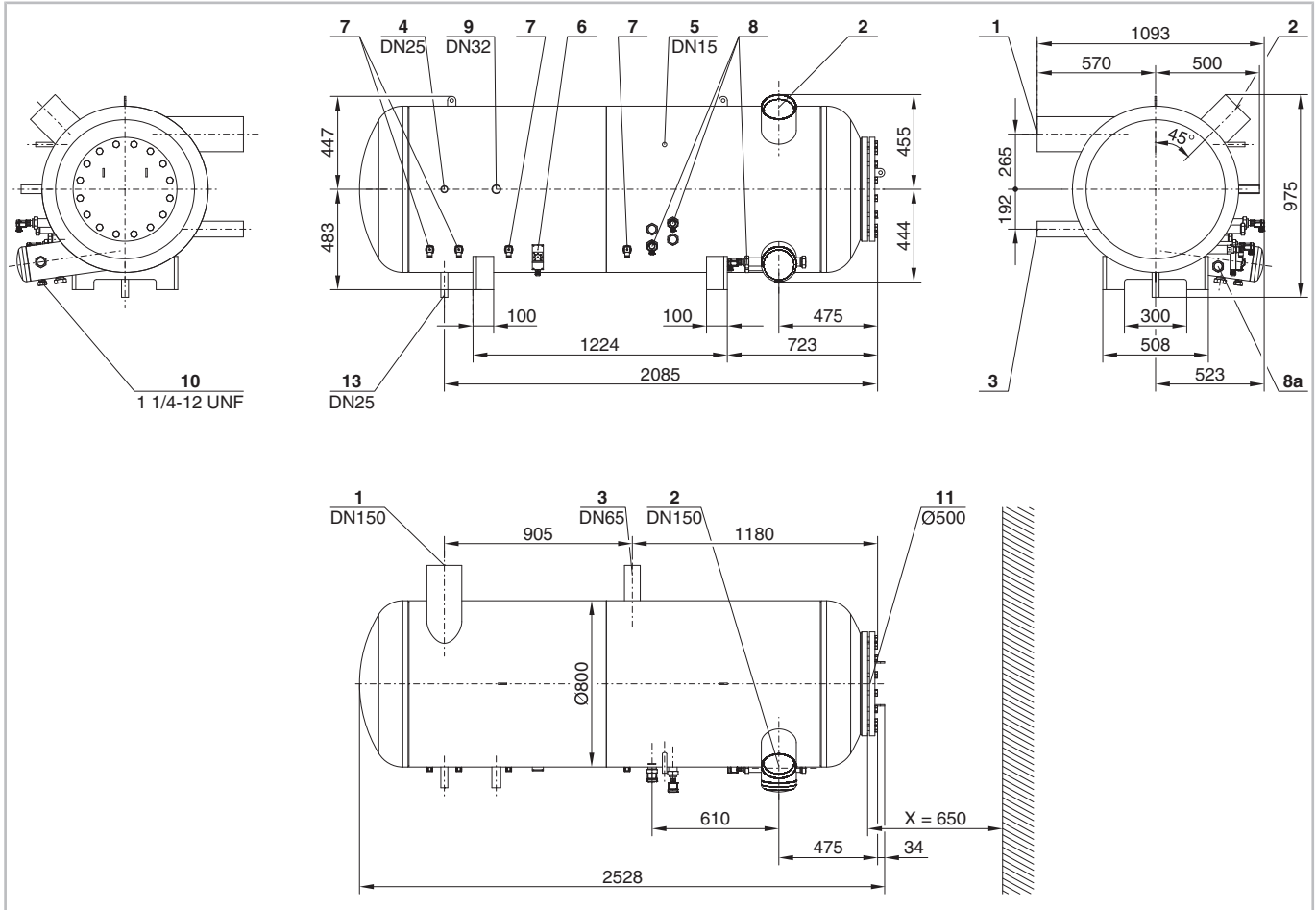


Abb. 18: OAHC80051A

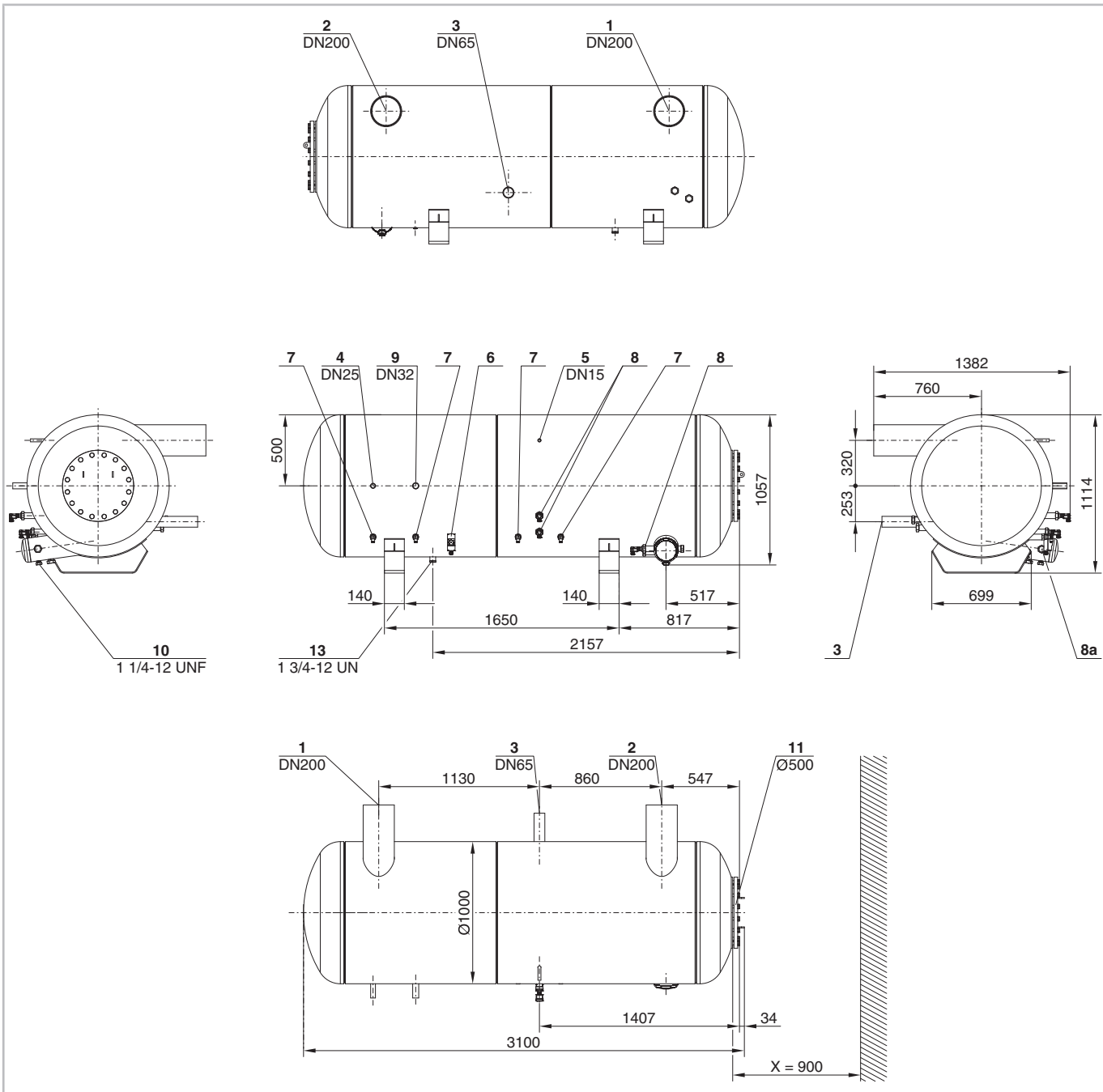


Abb. 19: OAH100051A

Anschlusspositionen	
1	Kältemittleintritt
2	Kältemittelaustritt
3	Ölaustritt
4	Öleinfüllanschluss
5	Wartungsanschluss OAHC: Anschluss für Druckausgleichsleitung
6	Ölthermostatanschluss
7	Anschluss für Ölheizung
7a	Tauchhülse (Anschluss für optionale Ölheizung)
8	Anschluss für Ölniveauwächter
9	Anschluss für Druckentlastungsventil
10	Ölaustritt (Sekundärstufe, bei OAHC aus Tertiärstufe)
11	Wartungsflansch für Filterpatronen (Filter der Sekundärstufe, bei OAHC: Filter der Tertiärstufe)
12	Befestigungsloch
13	Ölablass

Tab. 5: Anschlusspositionen

Maßangaben (falls angegeben) können Toleranzen entsprechend EN ISO 13920-B aufweisen.

Legende gilt für alle BITZER Ölabscheider und enthält Anschlusspositionen, die nicht in jeder Ölabscheiderserie vorkommen.

4.12 Anschlussmaße für Ölabscheider

Typen	1 Ø	2 Ø	3 Ø	4 Ø	5	6	7	9*	12 Ø
OA1954	DN 50	42 mm, 1 5/8	Rotalock 22 mm, 7/8	Rotalock 22 mm, 7/8	1/8 - 27 NPTF	3/8 - 18 NPTF	3/8 - 18 NPTF	1 1/4 - 12 UNF	13
OA4188	DN 80	DN 80	Rotalock 35 mm, 1 3/8	Rotalock 22 mm, 7/8	1/8 - 27 NPTF	3/8 - 18 NPTF	3/8 - 18 NPTF	1 1/4 - 12 UNF	13
OA9111	DN 100	DN 100	42 mm, 1 5/8	Rotalock 22 mm, 7/8	1/8 - 27 NPTF	3/8 - 18 NPTF	3/8 - 18 NPTF	1 1/4 - 12 UNF	14
OA14111	DN 100	DN 100	54 mm, 2 1/8	Rotalock 22 mm, 7/8	1/8 - 27 NPTF	3/8 - 18 NPTF	3/8 - 18 NPTF	1 1/4 - 12 UNF	14
OA25112	DN 125	DN 125	76 mm, 3 1/8	Rotalock 22 mm, 7/8	1/8 - 27 NPTF	3/8 - 18 NPTF	1 1/8 - 18 UNEF	1 1/4 - 12 UNF	14
OA1954A	DN 50	DN 50	DN 20	DN 12	1/8 - 27 PTF	3/8 - 18 NPTF	3/8 - 18 NPTF	1 1/4 - 12 UNF	13
OA4188A	DN 80	DN 80	DN 32	DN 12	1/8 - 27 NPTF	3/8 - 18 NPTF	3/8 - 18 NPTF	1 1/4 - 12 UNF	13
OA9111A	DN 100	DN 100	DN 40	DN 12	1/8 - 27 NPTF	3/8 - 18 NPTF	3/8 - 18 NPTF	1 1/4 - 12 UNF	14
OA14111A	DN 100	DN 100	DN 50	DN 12	1/8 - 27 NPTF	3/8 - 18 NPTF	3/8 - 18 NPTF	1 1/4 - 12 UNF	14
OA25112A	DN 125	DN 125	DN 80	DN 12	1/8 - 27 NPTF	3/8 - 18 NPTF	1 1/8 - 18 UNEF	1 1/4 - 12 UNF	14
OAC14011A	DN 100	DN 100	DN 50	DN 12	1/8 - 27 NPTF	3/8 - 18 NPTF	3/8 - 18 NPTF	1 1/4 - 12 UNF	14
OAC25012A	DN 125	DN 125	DN 80	DN 12	1/8 - 27 NPTF	3/8 - 18 NPTF	1 1/8 - 18 UNEF	1 1/4 - 12 UNF	14
OAS322	DN 25	DN 25	Ø 10 mm	-	-	-	-	-	9
OAS744	DN 40	DN 40	Ø 10 mm	-	-	-	-	-	9
OAS1055	DN 50	DN 50	Ø 10 mm	-	1/8 - 27 NPTF	-	-	-	9
OAS1655	DN 50	DN 50	Ø 10 mm	-	1/8 - 27 NPTF	-	-	-	9
OAS3088	DN 80	DN 80	Ø 10 mm	-	1/8 - 27 NPTF	-	-	-	9
OAF6288	DN 80	DN 80	Rotalock Ø 12	-	1/8 - 27 NPTF	-	-	1 1/4 - 12 UNF	9
OAF15211	DN 100	DN 100	Rotalock Ø 12	-	1/8 - 27 NPTF	-	-	1 1/4 - 12 UNF	9
OAH2888	DN 80	DN 80	D35L	1 1/4 - 12 UNF	1/8 - 27 NPTF	-	-	1 1/4 - 12 UNF	13
OAH7088	DN 80	DN 80	D35L	1 1/4 - 2 UNF	-	-	-	1 1/4 - 12 UNF	13

Typen	1 Ø	2 Ø	3 Ø	4 Ø	5	6	7	9*	12 Ø
OAHC65051A	DN 125	DN 125	DN 50	DN 25	DN 25	3/8 - 18 NPTF	3/8 - 18 NPTF	DN 25	-
OAHC80051A	DN 150	DN 150	DN 65	DN 25	DN 25	3/8 - 18 NPTF	1 1/8 - 18 UNEF	DN 32	-
OAHC100051A	DN 200	DN 200	DN 65	DN 25	DN 25	3/8 - 18 NPTF	1 1/8 - 18 UNEF	DN 32	-
* Außengewinde: 1 1/4 -12 UNF, Innengewinde: 3/8 18 NPTF									

Tab. 6: Anschlussmaße für Ölabscheider

5 In Betrieb nehmen

Das Druckgerät wurde im Werk als einzelnes Gerät geprüft. Nach der Montage muss die Dichtheit der Anschlüsse und des Rohrleitungssystems erneut geprüft werden.

5.1 Öl einfüllen

OA1854(A) .. OA25012(A), OA1954(A) .. OA25112(A)

Gesamte Ölfüllung der Anlage am Öleinfüllanschluss des Ölabscheiders einfüllen.

Ölfüllmenge:

- die Betriebsfüllung des Ölabscheiders
- und zusätzlich die gesamte in der Anlage umlaufende Ölmenge (z. B. Ölkühler, Ölleitung)

OAS322 .. OAS3088, OAF6288 .. OAF15211

Öl-Betriebsfüllung in Sekundärölabscheider (OAHc: in Tertiärölabscheider) vorfüllen.

Typ	Betriebsfüllung
OA1954(A)	18 l
OA4188(A)	40 l
OA9111(A)	90 l
OA14111(A)	140 l
OA25112(A)	250 l
OAC14011A	140 l
OAC25112A	250 l
OAH2888	28 l
OAH7088	70 l
OAS322	ca. 0,5 l
OAS744	ca. 1,0 l
OAS1055	ca. 1,0 l
OAS1655	ca. 1,0 l
OAS3088	ca. 1,5 l
OAF6288	11,8 l
OAF15211	31,8 l
OAHc65051A	80 l
OAHc80051A	180 l
OAHc100051A	310 l

5.2 Dichtheit prüfen

Kältekreislauf (Baugruppe) als Ganzes oder in Teilen auf Dichtheit prüfen – entsprechend EN 378-2 (oder gültigen äquivalenten Sicherheitsnormen). Dazu vorzugsweise mit getrocknetem Stickstoff einen Überdruck erzeugen.



GEFAHR

Berstgefahr durch zu hohen Druck!

Prüfdruck darf die maximal zulässigen Drücke nicht überschreiten!

Prüfdruck: 1,1-facher Druck des maximal zulässigen Betriebsdrucks (siehe Typschild). Dabei Hoch- und Niederdruckseite unterscheiden!

5.3 Evakuieren

- Ölheizung einschalten.
- Vorhandene Absperr- und Magnetventile öffnen.
- Die gesamte Anlage einschließlich Verdichter auf Saug- und Hochdruckseite mit Vakuumpumpe evakuieren.

Bei abgesperrter Pumpenleistung muss ein "stehendes Vakuum" kleiner als 1,5 mbar erreicht werden.

- Wenn nötig Vorgang mehrfach wiederholen.



HINWEIS

Gefahr von Motor- und Verdichterschaden!
Verdichter nicht im Vakuum anlaufen lassen!
Keine Spannung anlegen, auch nicht zum Prüfen!

5.4 Kältemittel einfüllen

Nur zulässige Kältemittel einfüllen, siehe Kapitel Anwendungsbereiche, Seite 38.



GEFAHR

Berstgefahr von Bauteilen und Rohrleitungen durch hydraulischen Überdruck bei Flüssigkeitseinspeisung.
Schwere Verletzungen möglich.
Überfüllung der Anlage mit Kältemittel unbedingt vermeiden!



WARNUNG

Berstgefahr des Verdichters durch gefälschte Kältemittel!
Schwere Verletzungen möglich!
Kältemittel nur von renommierten Herstellern und seriösen Vertriebspartnern beziehen!



HINWEIS

Gefahr von Nassbetrieb bei Flüssigkeitseinspeisung!
Äußerst fein dosieren!
Öltemperatur oberhalb 40°C halten.

- Bevor Kältemittel eingefüllt wird: Verdichter nicht einschalten!
- Ölheizung an Verdichter und Ölabscheider einschalten.
- Ölniveau im Verdichter prüfen.
- Flüssiges Kältemittel direkt in den Verflüssiger bzw. Sammler füllen, bei Anlagen mit überflutetem Verdampfer evtl. auch in den Verdampfer.
- Gemische dem Füllzylinder als blasenfreie Flüssigkeit entnehmen.
- Nach Inbetriebnahme kann es notwendig werden, Kältemittel zu ergänzen: Bei laufendem Verdichter Kältemittel auf der Saugseite einfüllen, am besten am Verdampfereintritt.

5.5 Verdichteranlauf

5.5.1 Ölniveau prüfen

Bei Ölabscheidern muss der Ölspiegel im Schauglas oder höchstens 5 cm darunter sichtbar sein.

5.5.2 Schwingungen

Die gesamte Anlage insbesondere Rohrleitungen und Kapillarrohre auf abnormale Schwingungen überprüfen. Wenn nötig, zusätzliche Sicherungsmaßnahmen treffen.



HINWEIS

Rohrbrüche und Leckagen an Verdichter und Anlagenbauteilen möglich!
Starke Schwingungen vermeiden!



GEFAHR

Berstgefahr des Druckgeräts durch mechanische Spannungen.
Schwere Verletzungen möglich.
Rohrleitungen spannungsfrei an das Druckgerät montieren!

5.5.3 Betriebsdaten überprüfen

- Verdampfungstemperatur
- Sauggastemperatur
- Verflüssigungstemperatur
- Druckgastemperatur
- Öltemperatur
- Schalthäufigkeit

Datenprotokoll anlegen.

6 Betrieb

Die Druckgeräte müssen regelmäßig von autorisiertem Fachpersonal geprüft werden. Die Prüfindervalle sind von der Betriebsweise abhängig. Sie müssen vom Betreiber festgelegt werden.

7 Wartung

Flüssigkeitssammler und Ölabscheider OA1854(A) .. OA25012(A) / OA1954(A) .. OA25112(A) sind für wartungsfreien Betrieb ausgelegt.

Die Filterpatronen in Kombi- und Sekundärölabscheidern müssen gewechselt werden, wenn der Druckabfall 0,5 bar übersteigt.

7.1 Filterpatronen wechseln

- Absperrventile vor und nach dem Ölabscheider schließen.
- Ölabscheider auf drucklosen Zustand bringen. Dazu Kältemittel absaugen und umweltgerecht entsorgen.
- Filterpatronen ausbauen.
- Neue Patronen entsprechend einbauen.
- Ölfüllung ergänzen (siehe Kapitel Öl einfüllen, Seite 59). Gebrauchtes Öl nicht wieder verwenden!



WARNUNG

Druckgerät steht unter Druck!
Schwere Verletzungen möglich!
Druckgerät auf drucklosen Zustand bringen!
Schutzbrille tragen!

7.1.1 OAC Serie

Siehe siehe Abbildung 20, Seite 62.

- Serviceflansch (1) öffnen.
- Die Filterpatronen sind paarweise übereinander angeordnet: Im OAC14011A befinden sich 4 Patronenpaare, im OAC25112A sind es 6.
- Patronenpaare jeweils nacheinander entnehmen: Verschlussmutter (2) und Zentrierstück (3) entfernen. Obere Filterpartone (4) herausnehmen. Oberen Führungsstab (5) herausschrauben. Verbindungsstück (6) entfernen. Untere Filterpartone herausneh-

men. Der untere Führungsstab (7) bleibt im Kombiölabscheider.

- Die weiteren Patronenpaare entsprechend entfernen.
- Sobald Verschlussmutter (2) und Zentrierstück (3) entfernt sind, kann das jeweilige Patronenpaar gekippt werden.
- Neue Filterpatronen entsprechend einbauen. Verschlussmutter (2) anziehen (10 Nm).
- Service-Flansch (1) verschrauben (98 Nm).

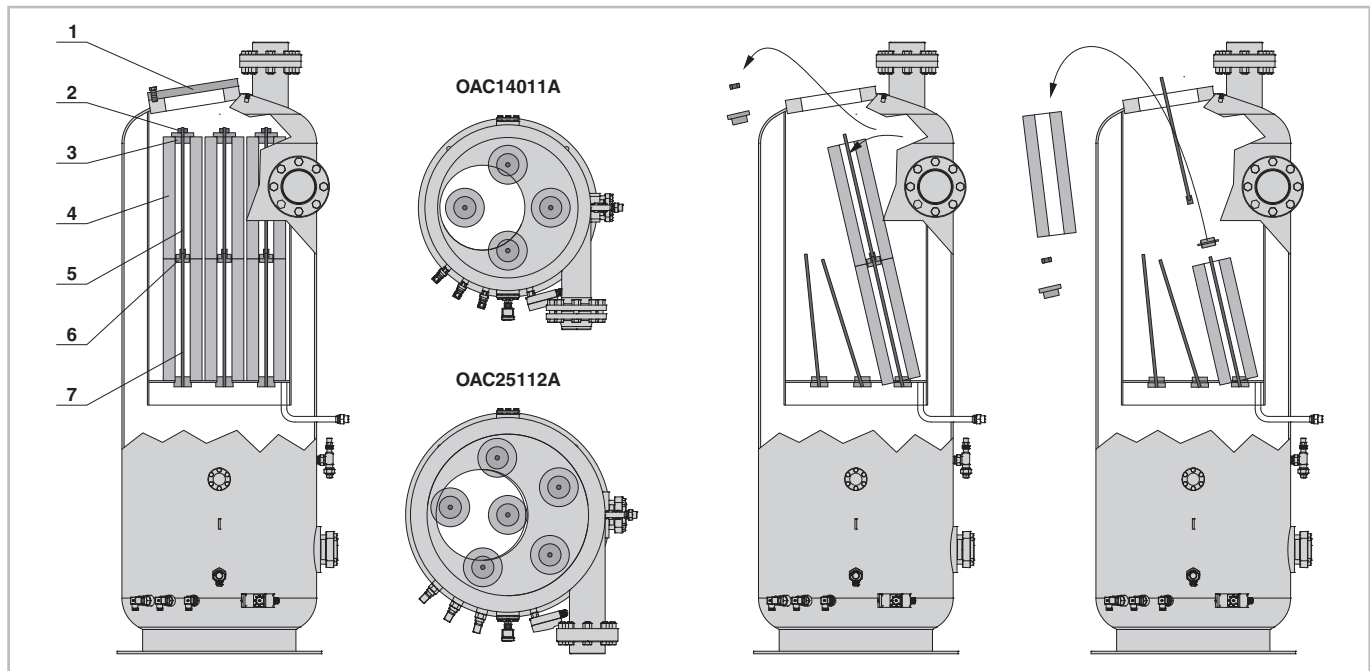


Abb. 20: OAC Serie: Filterpatrone wechseln

1	Serviceflansch
2	Verschlussmutter
3	Zentrierstück
4	Filterpatrone
5	Oberer Führungsstab
6	Verbindungsstück
7	Unterer Führungsstab

7.1.2 OAS Serie

Siehe siehe Abbildung 21, Seite 63.

- Öl aus der Ölrückföhrleitung (4) ablassen.
- Flansch (1) öffnen. Dabei restliches Öl auffangen.
- OAS332 und OAS744: Filterpatrone (3) ausschrauben. OAS1055 .. OAS3088: Schraube (2) entfernen.
- Filterpatrone (3) nach unten herausziehen.

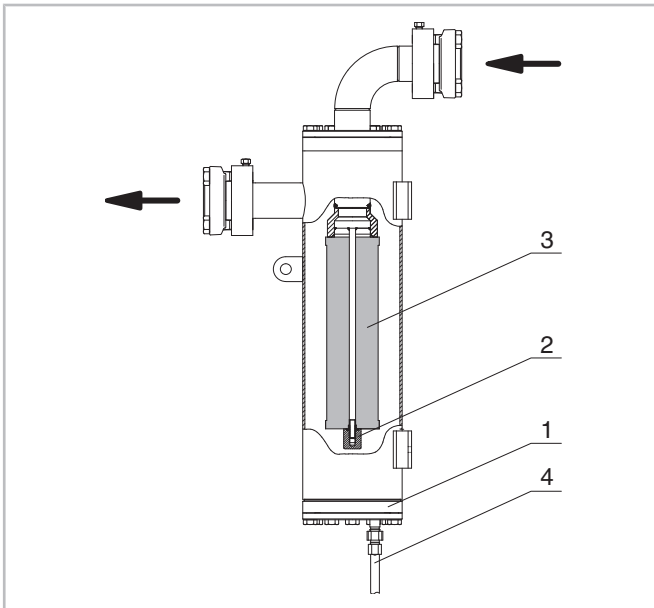


Abb. 21: OAS Serie: Filterpatronen wechseln

1	Flansch
2	Befestigungsschraube
3	Filterpatrone
4	Ölrückföhrung

7.1.3 OAHC Serie

Siehe siehe Abbildung 22, Seite 64.

- Zum Wechseln der Filterpatronen Deckel (1) mit geeignetem Hebezeug an den Ösen (4) sichern.
- Schrauben am Deckel (1) gleichmäßig lösen und Deckel mittels Hebezeug nach vorne abnehmen.



WARNUNG

Deckel ist sehr schwer (100 kg)!
Starke Quetschungen möglich!



Deckel nur mit geeigneten Hilfsmitteln entfernen! Sicherheitsschuhe tragen!

- Im OAHC.A befinden sich 4 Filterpatronen (3). Befestigungs- und Kontermuttern (2) lösen und Patronen (3) nacheinander gegen den Uhrzeigersinn herausnehmen.
- Neue Filterpatronen entsprechend einbauen. Befestigungs- und Kontermuttern (2) anziehen (10 Nm).
- Neue Dichtung einsetzen.
- Deckel (1) verschrauben (730 Nm).

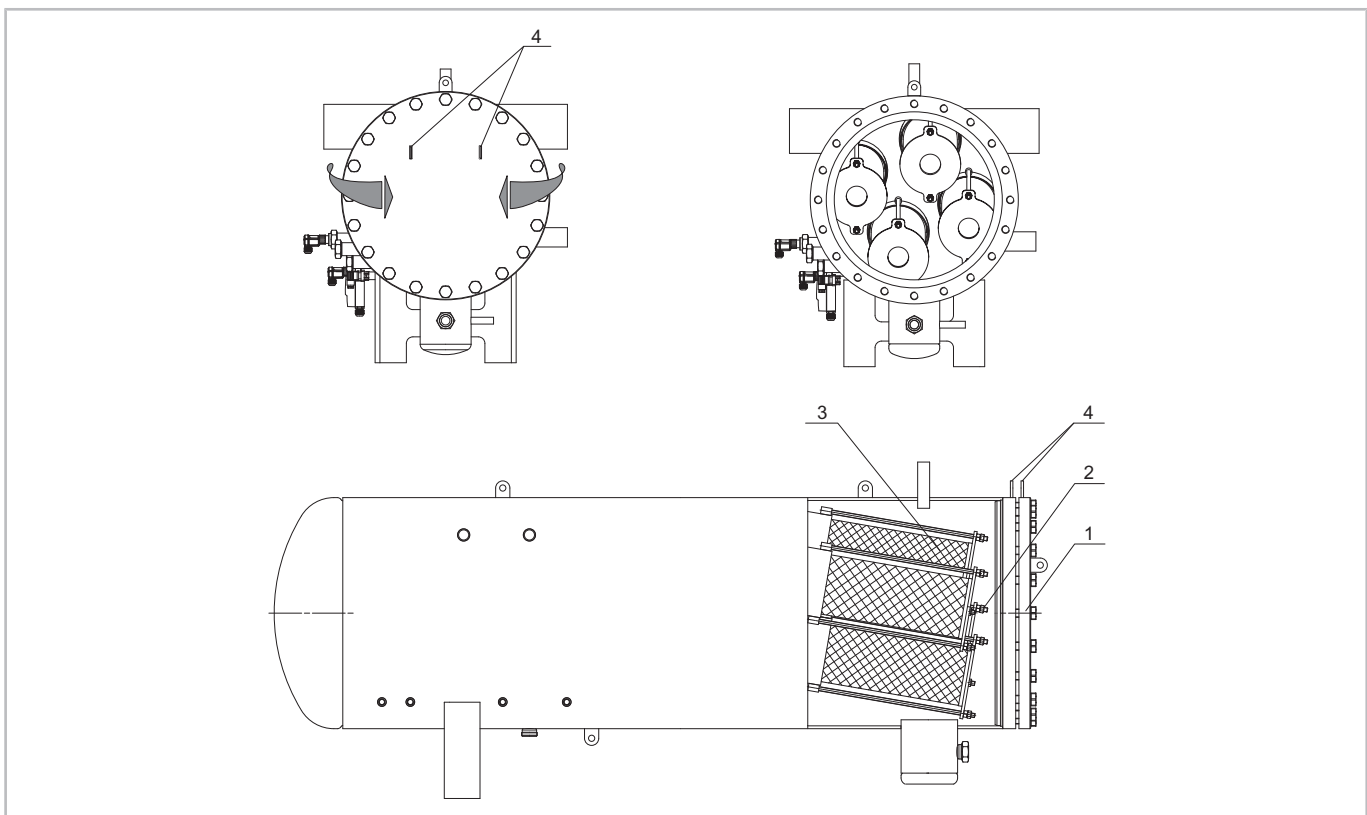


Abb. 22: OAHC Serie: Filterpatronen wechseln

1	Deckel
2	Befestigungsmutter mit Kontermutter
3	Filterpatrone
4	Ösen

7.2 Kältemittel absaugen

- Bei Reparatureingriffen oder Außerbetriebnahme der Druckbehälter Kältemittel möglichst flüssig absaugen oder abpumpen.
- Kältemittel umweltgerecht entsorgen.

7.3 Öl ablassen

Bei Reparatureingriffen oder Außerbetriebnahme der Druckgerät Kältemittel- und Ölleitungen vor und hinter dem Druckgerät absperren. Wanne bereithalten. Öl ablassen, dabei auffangen und umweltgerecht entsorgen.



WARNUNG

Druckgerät steht unter Druck!
Schwere Verletzungen möglich!
Druckgerät auf drucklosen Zustand bringen!
Schutzbrille tragen!

8 Außer Betrieb nehmen

Im Schadensfall muss der Druckbehälter vom Kältesystem getrennt und ausgetauscht werden. Dazu Kältemittel absaugen und Öl entfernen.

Verunreinigte Stoffe umweltgerecht entsorgen! Chlorhaltiges Öl ist Sondermüll.

Sommaire

1	Introduction	68
2	Sécurité	68
2.1	Personnel spécialisé autorisé.....	68
2.2	Dangers résiduels.....	68
2.3	Indications de sécurité.....	68
2.3.1	Indications de sécurité générales.....	69
3	Champs d'application	70
3.1	Remarques particulières relatives aux réservoirs de liquide ₂	71
3.2	Déclaration de l'installation.....	71
3.3	Conformité.....	72
4	Montage	73
4.1	Transport du réservoir sous pression.....	73
4.2	Lieu d'emplacement.....	73
4.3	Pression maximale admissible.....	74
4.4	Espace pour retrait du détecteur.....	75
4.5	Espace pour retrait de la cartouche filtrante.....	75
4.6	État à la livraison.....	76
4.7	Raccorder les conduites.....	76
4.7.1	Monter la soupape de décharge.....	77
4.8	Séparateur d'huile.....	78
4.9	Raccords réservoirs de liquide.....	79
4.10	Cotes de raccordement pour réservoirs de liquide.....	82
4.11	Raccords séparateurs d'huile.....	85
4.12	Cotes de raccordement pour séparateur d'huile.....	90
5	Mettre en service	92
5.1	Remplir d'huile.....	92
5.2	Contrôler l'étanchéité.....	92
5.3	Tirage à vide.....	93
5.4	Remplir fluide frigorigène.....	93
5.5	Démarrage du compresseur.....	93
5.5.1	Contrôler le niveau d'huile.....	93
5.5.2	Vibrations.....	93
5.5.3	Contrôler les caractéristiques de fonctionnement.....	93
6	Fonctionnement	94
7	Maintenance	94
7.1	Remplacer les cartouches filtrantes.....	94
7.1.1	Série OAC.....	95
7.1.2	Série OAS.....	96
7.1.3	Série OAHC.....	97
7.2	Aspirer le fluide frigorigène.....	98
7.3	Vidanger l'huile.....	98



8 Mettre hors service	98
-----------------------------	----

1 Introduction

Ces équipements sous pression sont prévus pour un montage dans des installations frigorifiques conformément à la Directive Machines 2006/42/CE et la Directive UE Équipements sous Pression 2014/68/UE. Ils ne peuvent être mis en service qu'une fois installés dans lesdites machines conformément aux présentes instructions de service et de montage et que si la machine complète répond aux réglementations en vigueur (pour les normes appliquées : voir la Déclaration de Conformité).

Les équipements sous pression ont été conçus selon l'état actuel de la technique et satisfont aux réglementations en vigueur. La sécurité des utilisateurs a été particulièrement prise en considération.

Maintenir ces instructions de service à disposition à proximité immédiate de l'installation frigorifique durant toute la durée de service du réservoir sous pression.

2 Sécurité

2.1 Personnel spécialisé autorisé

Seul un personnel spécialisé ayant été formé et initié est autorisé à effectuer des travaux sur les équipements sous pression et installations frigorifiques. Les qualifications et compétences des personnels spécialisés sont décrites dans les réglementations et directives nationales.

2.2 Dangers résiduels

Des dangers résiduels inévitables sont susceptibles d'être causés par les équipements sous pression. Toute personne travaillant sur cet appareil doit donc lire attentivement ces instructions de service !

Doivent être absolument prises en compte :

- les réglementations et normes de sécurité applicables (par ex. EN 378),
- les règles de sécurité généralement admises,
- les directives européennes,
- les réglementations nationales.

2.3 Indications de sécurité

sont des instructions pour éviter de vous mettre en danger . Respecter avec soins les indications de sécurité !



AVIS

Indication de sécurité pour éviter une situation qui peut endommager un dispositif ou son équipement .



ATTENTION

Indication de sécurité pour éviter une situation potentiellement dangereuse qui peut provoquer des lésions mineures ou modérées .



AVERTISSEMENT

Indication de sécurité pour éviter une situation potentiellement dangereuse qui peut entraîner la mort ou des blessures graves.



DANGER

Indication de sécurité pour éviter une situation immédiatement dangereuse qui peut provoquer la mort ou des blessures graves .

2.3.1 Indications de sécurité générales

État à la livraison



ATTENTION

L'équipement est rempli de gaz de protection :
Surpression 0,2 .. 0,5 bar.
Risque de blessure au niveau de la peau et des yeux.
Évacuer la pression de l'équipement sous pression !
Porter des lunettes de protection !



DANGER

Risque d'éclatement de l'équipement sous pression suite à des tensions mécaniques.
Risque de blessures graves.
Veiller à ce que les tubes soient montés sans contrainte sur l'équipement sous pression !



DANGER

Risque d'éclatement des composants et tuyaux dû à une surpression hydraulique.
Risque de blessures graves.
Ne pas dépasser les pressions maximales admissibles !

Pour les travaux sur l'équipement sous pression après la mise en service de l'installation



ATTENTION

Les températures de surface peuvent dépasser 60 °C ou passer en dessous de 0 °C.
Risque de brûlures ou de gelures.
Fermer et signaler les endroits accessibles.
Avant tout travail sur l'équipement sous pression : éteindre l'installation et la laisser refroidir.



AVERTISSEMENT

L'équipement sous pression est sous pression !
Risque de blessures graves !
Évacuer la pression de l'équipement sous pression !
Porter des lunettes de protection !



ATTENTION

L'huile peut être très chaude.
Risque de brûlures graves.
Laisser refroidir l'huile.



3 Champs d'application

Type	Groupe de fluide selon 2014/68/UE (DEP)	Groupe de sécurité selon EN 378	PS Pression maximale admissible	TS Températures maximale et minimale admissibles
F062H(P) .. F3102N(P), F182 .. F312, F302G .. F1602G, F212N3, FS33 .. FS268, FS36(P) .. FS3102(P), FS4002(P) .. FS5502(P)	1 + 2	A1, A2, A2L, A3	33 bar	120°C / -10°C
F202HA .. F3102NA	1 + 2	A1, A2, A2L, A3, B2L	28 bar	120°C / -10°C
F302K .. F1602K, FS302K .. FS1602K	1 + 2	A1, A2, A2L, A3	45 bar (33 bar)	120°C / -10°C (-10°C / -20°C)
OA1954 .. OA25112, OAF6288 .. OAF15211, OAH2888 .. OAH7088	1 + 2	A1, A2, A2L, A3	28 bar	120°C / -10°C
OA1954A .. OA25112A, OAS322 .. OAS3088, OAC14011A .. OAC25112A, OAH65051A .. OAH100051A, OAS322 .. OAS3088	1 + 2	A1, A2, A2L, A3, B2L	28 bar	120°C / -10°C
OA1954(A) .. OA25112(A), OAF6288 .. OAF15211, OAH2888 .. OAH7088, OAS322 .. OAS3088, OAC14011A .. OAC25112A, OAH65051A .. OAH100051A, OAS322 .. OAS3088		Huile selon ISO 6743-3, DIN 51503-1	28 bar	120°C / -10°C

Tab. 1: Fluides admissibles

3.1 Remarques particulières relatives aux réservoirs de liquide₂

- Lettre finale K, PS = 45 bar
- En cas d'utilisation normale des réservoirs en tant que réservoirs de liquide, les basses températures admissibles imposent de prendre des mesures spécifiques pour garantir une protection contre la corrosion et d'augmenter l'isolation.
- Les réservoirs ne doivent être utilisés qu'en combinaison avec une soupape de décharge de max. 45 bar. Poser et organiser les vannes conformément aux exigences du fabricant.



DANGER

Le CO₂ est un gaz inodore et incolore non perçu directement en cas d'émissions !
 Risque de perte de conscience et de suffocation en cas d'inspiration en concentrations trop importantes !
 Éviter toute décharge de CO₂ et toute fuite incontrôlée, en particulier dans les pièces fermées !
 Ventiler les locaux de machines fermés !
 Respecter les exigences de sécurité spécifiées par la norme EN 378 !

3.2 Déclaration de l'installation

Les réservoirs de liquide et les séparateurs d'huile sont des réservoirs sous pression d'après la directive équipements sous pression 2014/68/UE. Par conséquent, l'ensemble de l'installation devra être déclaré à l'organisme de contrôle et autorisé par celui-ci, conformément à la réglementation locale en vigueur.

La catégorie pour l'évaluation de conformité par chaque réservoir sous pression est indiquée dans le tableau suivant.

Pour l'inspection avant la mise en service et les contrôles périodiques, les réglementations nationales (par ex. la réglementation allemande relative à la sécurité sur les lieux de travail, BetrSichV) doivent être respectées.

Dans les pays en dehors de l'UE, les réglementations respectives seront à prendre en considération.

3.3 Conformité

Type	Contenu du réservoir dm ³ (l)	Catégorie selon 2014/68/EU (DEP) Groupe de fluide 2	Catégorie selon 2014/68/EU (DEP) Groupe de fluide 1	Conformité en fonction du module
F062H(P)	6,8	II	III	B + D
F102H(P) / FS102(P)	10	II	III	B + D
F152H(P) / FS152(P)	15	II	III	B + D
F182	18	II	III	B + D
F192T(P)	19	II	III	B + D
F202H(P) / F202HA / FS202(P)	20	II	III	B + D
F212N3	21	II	III	B + D
F252H(P) / FS252(P)	25	II	III	B + D
F302H(P) / F302G / F312 / FS302(P)	30	II	III	B + D
F392T(P) / F402H(P) / F402HA / FS402(P)	39	III	IV	B + D
F552T(P)	54	III	IV	B + D
F562N(P) / F562NA / F562G / F562K / FS562(P)	56	III	IV	B + D
F562N(P)	56	III	IV	B + D
F732N(P) / FS732(P)	73	III	IV	B + D
F902N(P) / FS902(P)	89	III	IV	B + D
F1052T(P) / F1052TA / F1052G / F1052K	105	IV	IV	B + D
F1202N(P)	112	IV	IV	B + D
F1602N(P) / F1602NA / F1602G / F1602K / FS1602(P) / FS1602K	160	IV	IV	B + D
F2202N(P) / FS2202(P)	228	IV	IV	B + D
F3102N(P) / F3102NA / FS3102(P)	320	IV	IV	B + D
FS33	2,6	I	II	A2
FS36 (P)	3,0	I	II	A2
FS48	4,7	I	II	A2
FS53 / FS56(P)	5,6	I	II	A2
FS68	6,5	II	III	B + D
FS76(P) / FS83 / FS78	7,8	II	III	B + D
FS126(P) / FS128	13	II	III	B + D
FS188	18	II	III	B + D
FS268	26	II	III	B + D
F302K / FS302K	30	III	IV	B + D
FS902K	89	IV	IV	B + D
FS1122(P)	112	IV	IV	B + D
FS4002(P)	395	IV	IV	B + D
FS4752(P)	473	IV	IV	B + D

Type	Contenu du réservoir dm ³ (l)	Catégorie selon 2014/68/EU (DEP) Groupe de fluide 2	Catégorie selon 2014/68/EU (DEP) Groupe de fluide 1	Conformité en fonction du mo- dule
FS5502(P)	550	IV	IV	B + D
OA1954(A)	40	III	IV	B + D
OA4188(A)	88	III	IV	B + D
OA9111(A)	228	IV	IV	B + D
OA14111(A)	395	IV	IV	B + D
OA25112(A)	655	IV	IV	G
OAC14011A	616	IV	IV	G
OAC25112A	868	IV	IV	G
OAS322	2,7	I	II	A2
OAS744	7	I	II	A2
OAS1055	10	II	III	B + D
OAS1655	16	II	III	B + D
OAS3088	30	II	III	B + D
OAF6288	62	III	IV	B + D
OAF15211	152	IV	IV	B + D
OAH2888	112	IV	IV	B + D
OAH7088	228	IV	IV	B + D
OAHC65051A	630	IV	IV	B + D
OAHC80051A	1130	IV	IV	G
OAHC100051A	2250	IV	IV	G

Tab. 2: Catégorie et évaluation de la conformité

4 Montage

4.1 Transport du réservoir sous pression

Transporter le réservoir sous pression vissé sur une palette. Utiliser les œilletons de suspension ou les équerres de fixation de dessus, si disponibles, pour soulever le réservoir.



DANGER

Charge suspendue !

Ne pas passer en dessous de la machine !



4.2 Lieu d'emplacement

En cas d'installation extérieure, prendre les mesures appropriées pour protéger le réservoir sous pression contre la corrosion (par ex. par l'eau de mer ou atmosphère agressive) et contre les températures extérieures basses. Le cas échéant, il est conseillé de consulter BITZER.

4.3 Pression maximale admissible

Toute l'installation doit être conçue et exploitée de façon à ce que la pression maximale admissible dans le réservoir sous pression ne puisse pas être dépassée.

L'utilisation de soupapes de décharge est indispensable

- s'il est possible que la pression maximale admissible soit dépassée (influence de sources de chaleur extérieures telles que incendie par ex.), ou si
- la charge totale en fluide frigorigène de l'installation entière est supérieure à 90% de la contenance du réservoir sous pression à 20°C. La contenance signifie le volume entre les vannes pouvant être fermées en fonctionnement en amont et en aval d'un réservoir sous pression. Dans le cas de deux réservoirs montés en série, cela correspond au volume des deux réservoirs et de la conduite.

Dans ces cas, il faudrait préconiser l'emploi de systèmes de décharge qui dirigent le fluide frigorigène ou l'huile vers le côté basse pression de l'installation (limitation de rejets).

Dispositifs de sécurité de limitation de la pression

En accord avec les réglementations locales, il faut prévoir des dispositifs de sécurité destinés à limiter la pression.

4.4 Espace pour retrait du détecteur

- Option
- Réservoir de liquide FS202 .. FS5502

Si le détecteur destiné à surveiller en continu le niveau de liquide est monté ou doit être monté ultérieurement, il faut monter le réservoir de liquide de telle manière que le détecteur puisse être retiré par le haut (voir figure 1, page 75).

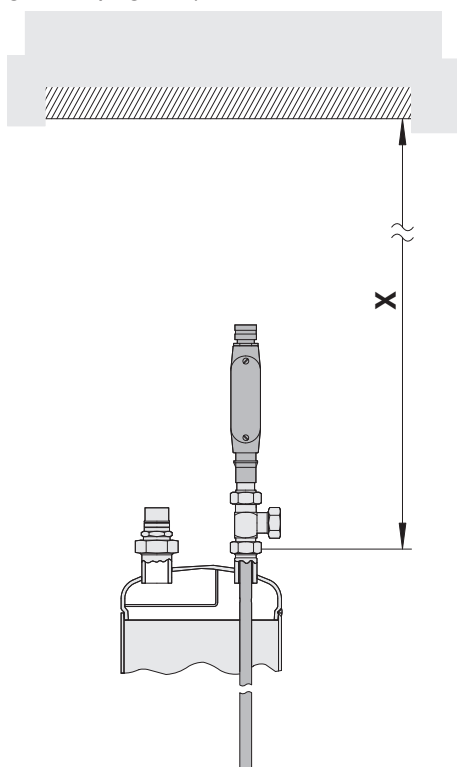


Fig. 1: Espace pour retrait du détecteur

Type	Espace pour retrait du détecteur (=X)	Kit de montage détecteur
FS202	1000 mm	34740501
FS252	1160 mm	34740502
FS302 / FS562	1280 mm	34740503
FS402 / FS732	1530 mm	34740504
FS2202 / FS4002	1640 mm	34740505
FS902 / FS4752	1740 mm	34740506
FS1122	1280 mm	34740503
FS1602 / FS5502	2040 mm	34740507
FS3102	2140 mm	34740508

4.5 Espace pour retrait de la cartouche filtrante

Séparateur d'huile pour NH₃

- OAC14011A .. OAC25112A
- OAS322 .. OAS3088
- OAHC65051A .. OAHC100051A

Il faut monter les séparateurs d'huile combinés et secondaires de telle manière que les cartouches filtrantes puissent être retirées (voir figure 2, page 75).

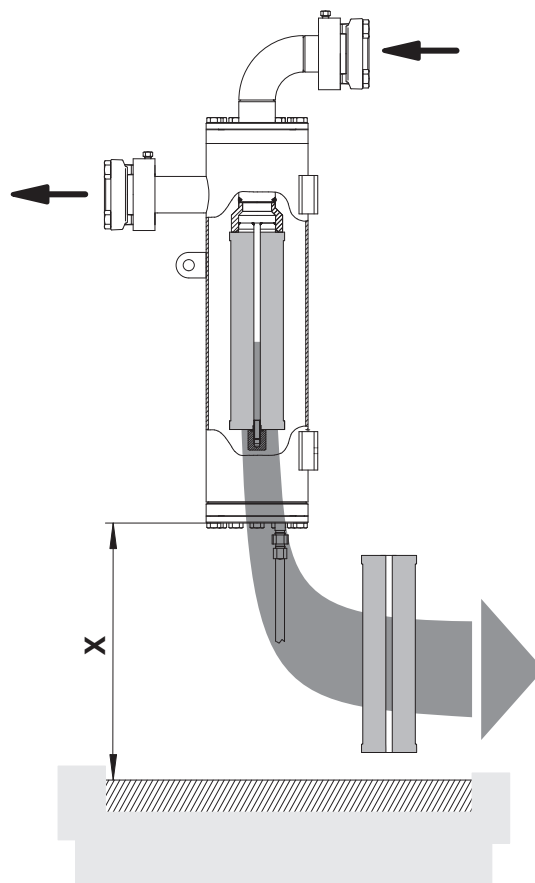


Fig. 2: Espace pour retrait de la cartouche filtrante

Type	Espace pour retrait de la cartouche filtrante (=X)
OAC14011A	460 mm
OAC25112A	460 mm
OAS322	120 mm
OAS744	260 mm
OAS1055	300 mm
OAS1655	600 mm
OAS3088	600 mm
OAHC65051A	460 mm
OAHC80051A	460 mm
OAHC100051A	460 mm

4.6 État à la livraison

À la livraison, le réservoir sous pression est clos et rempli d'un gaz de protection. La surpression du gaz de protection est de 0,2 à 0,5 bar. Tous les raccords rotalock et à brides sont obturés par une rondelle de fermeture. Ces rondelles doivent être retirées avant la mise en service.

4.7 Raccorder les conduites

Les raccords de tubes sont conçus de manière à pouvoir utiliser les tubes standards en millimètres et en pouces. Les raccords à braser ont des diamètres successifs, Selon les dimensions, le tube s'enfoncera plus ou moins profondément. Si nécessaire, l'extrémité avec le plus grand diamètre peut être sciée.



DANGER

Risque d'éclatement de l'équipement sous pression suite à des tensions mécaniques.
Risque de blessures graves.
Veiller à ce que les tubes soient montés sans contrainte sur l'équipement sous pression !

Évacuer tout d'abord la surpression du réservoir sous pression : Ouvrir les raccords prudemment.



AVERTISSEMENT

L'équipement sous pression est sous pression !
Risque de blessures graves !
Évacuer la pression de l'équipement sous pression !
Porter des lunettes de protection !

Retirer les vannes d'arrêt et/ou les raccords à braser.



AVIS

Risque de réactions chimiques en cas d'introduction d'air !
Connecter immédiatement le réservoir de pression ouvert à l'installation.

Refermer le réservoir sous pression durant les arrêts de travail.



AVIS

Ne pas surchauffer les vannes d'arrêt !
Refroidir les vannes pendant et après le brasage.
Température de brasage maximale: 700°C !

Durant les travaux de brasage et de soudage, rincer les secteurs de tuyauterie concernés avec du gaz de protection.

Propreté des tubes

En règle générale, n'utiliser que des conduites et des composants d'installation qui

- sont propres et secs à l'intérieur (sans calamine, ni copeaux de métal, ni couches de rouille ou de phosphate) et
- qui sont livrés hermétiquement fermés.

4.7.1 Monter la soupape de décharge

Filet intérieur 3/8-18 NPTF : Monter la soupape de décharge.

Filet extérieur 1 1/4-12 UNF : Visser la soupape de décharge dans l'adaptateur. Puis fixer l'adaptateur sur le réservoir sous pression avec l'écrou-raccord.

Adaptateurs disponibles voir figure 3, page 77.

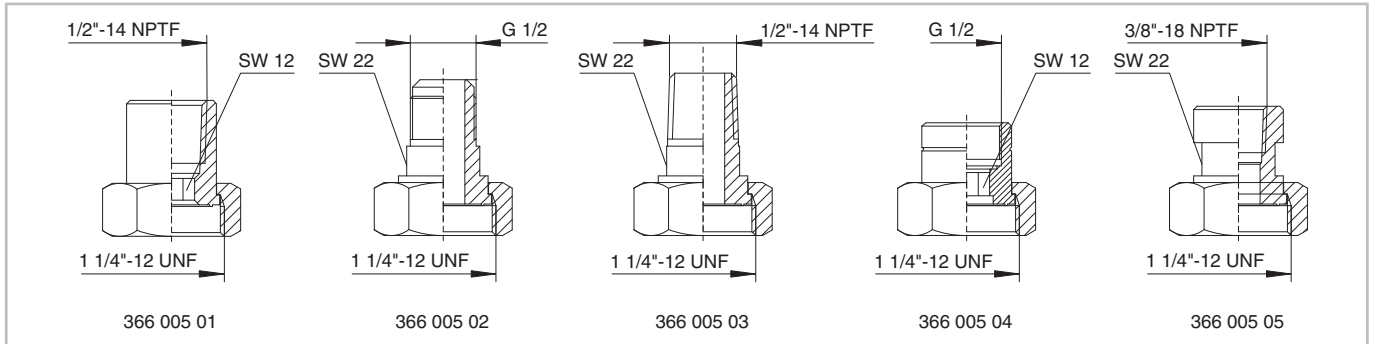


Fig. 3: Adaptateur pour la soupape de décharge

4.8 Séparateur d'huile

Monter un ou plusieurs réchauffeurs d'huile dans le séparateur d'huile et le(s) raccorder conformément au schéma de principe (voir aussi SH-100, SH-500). En cas d'arrêt prolongé, le réchauffeur d'huile évite un enrichissement trop important de l'huile en fluide frigorigène et, par conséquent, une baisse de la viscosité. Il doit être allumé dès que le compresseur est à l'arrêt.

Isoler le séparateur d'huile :

- en cas de fonctionnement à température ambiante basse, ou
- en cas de températures élevées du côté haute pression pendant l'arrêt (par ex. pompes à chaleur).

Le contrôleur de niveau d'huile et le thermostat d'huile sont livrés séparément et doivent être montés sur place. Position de montage voir figure 4, page 78.

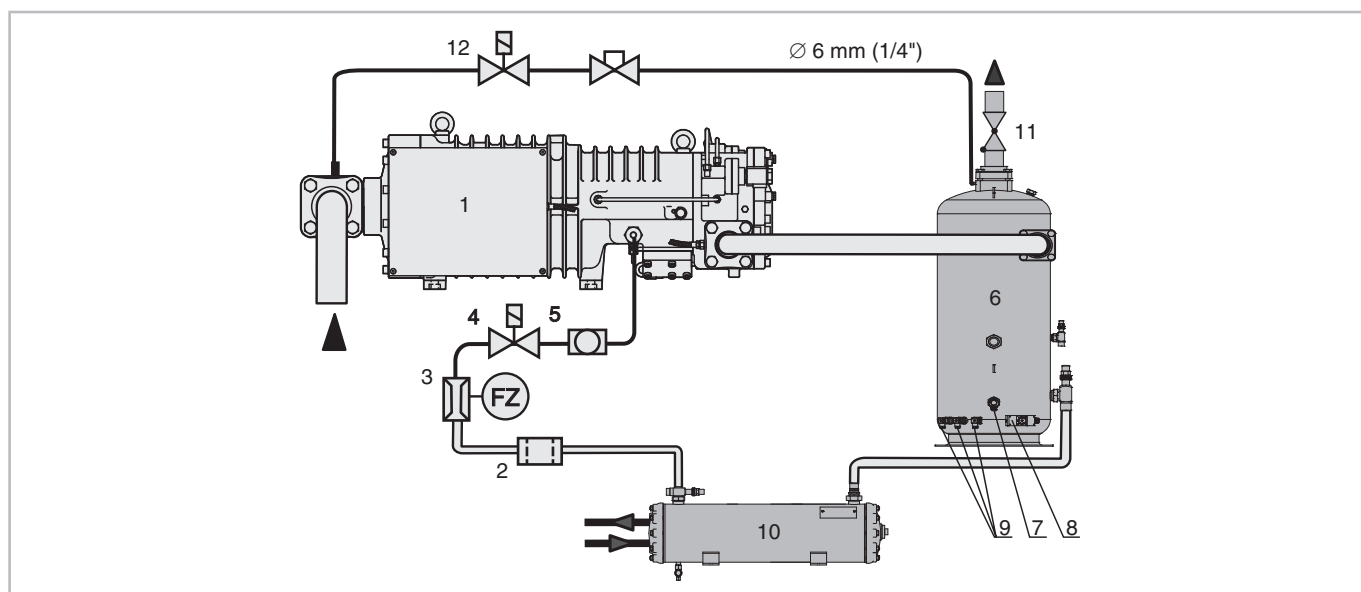


Fig. 4: Circuit d'huile (avec un compresseur)

1	Compresseur
2	Filtre à huile
3	Contrôleur de débit d'huile
4	Vanne magnétique d'huile
5	Voyant
6	Séparateur d'huile
7	Contrôleur de niveau d'huile
8	Thermostat d'huile
9	Réchauffeur d'huile
10	Refroidisseur d'huile (si nécessaire)
11	Clapet de retenue
12	Vanne magnétique (bypass d'arrêt)

4.9 Raccords réservoirs de liquide

Monter les réservoirs de liquide sur une surface horizontale avec la fixation (6) indiquée sur le dessin poin-

tant vers le bas ! Maintenir l'orientation des raccords comme illustré au croquis coté !

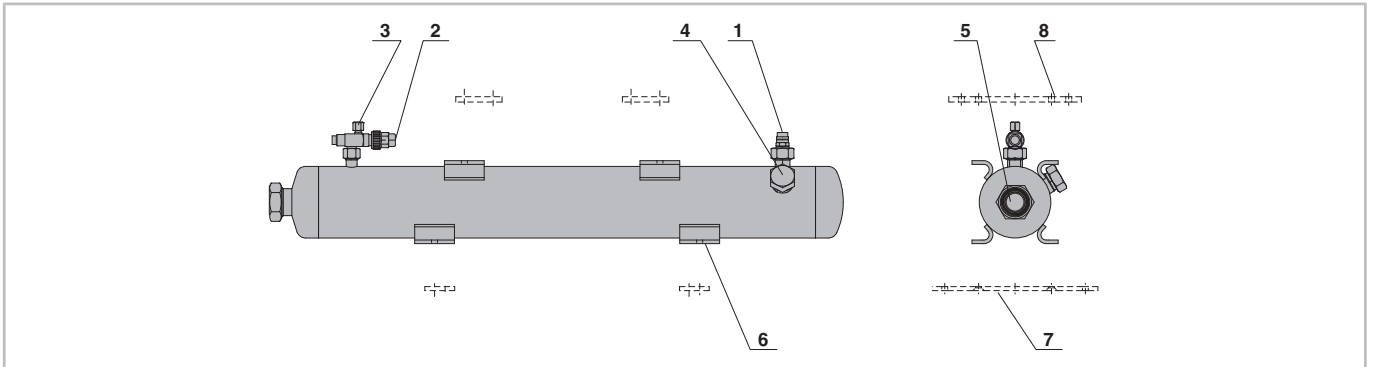


Fig. 5: F062H(P)

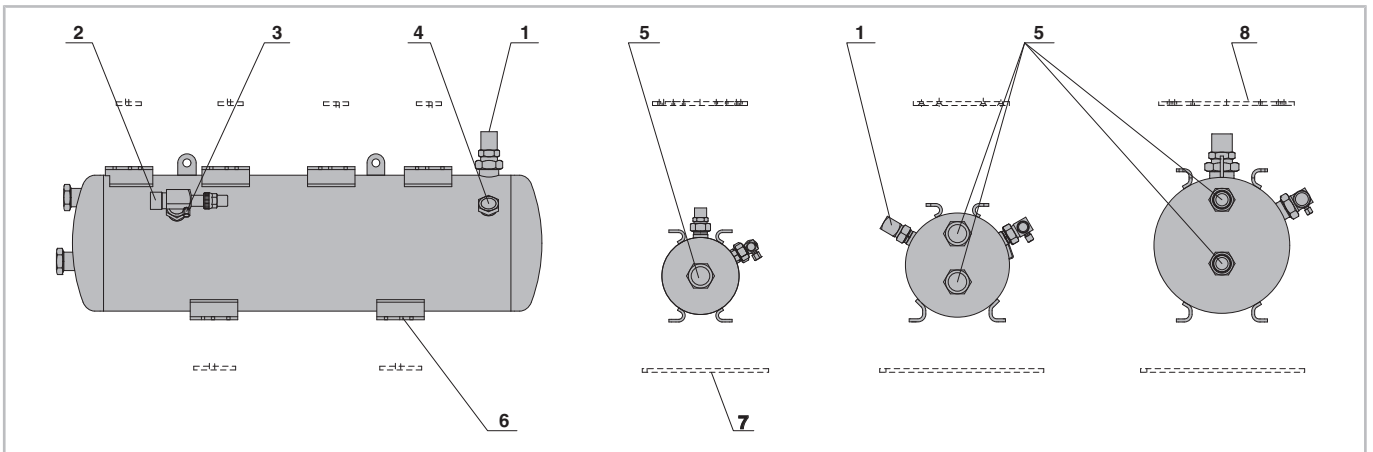


Fig. 6: F102H(P) .. F552H(P), F1052H(P), F1052T(P), F192T(P), F392T(P), F202HA .. F3102NA, F202H(P) .. F552T(P)

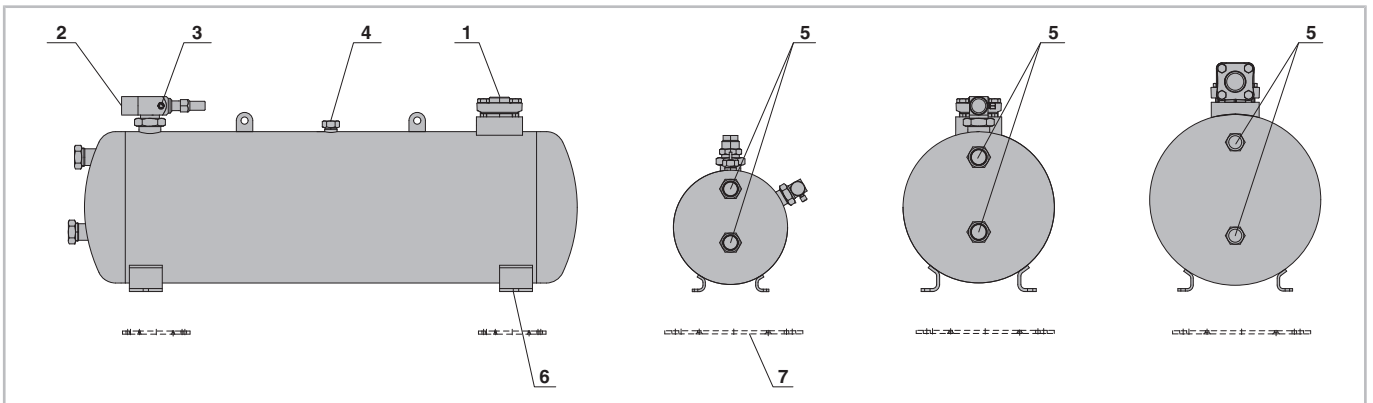


Fig. 7: F562N(P) .. F902N(P), F1202N(P) .. F3102N(P), F302G .. F1602G, F182 .. F312

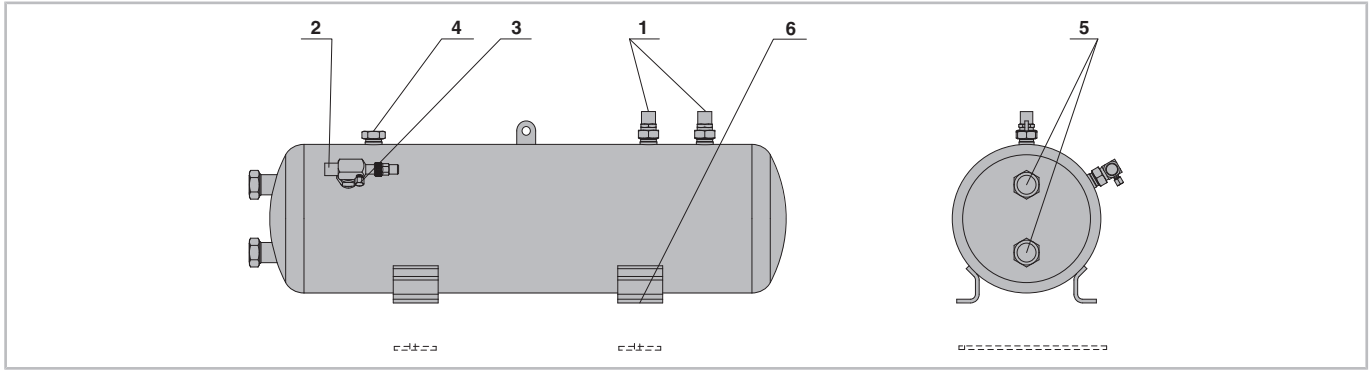


Fig. 8: F302K .. F1602K

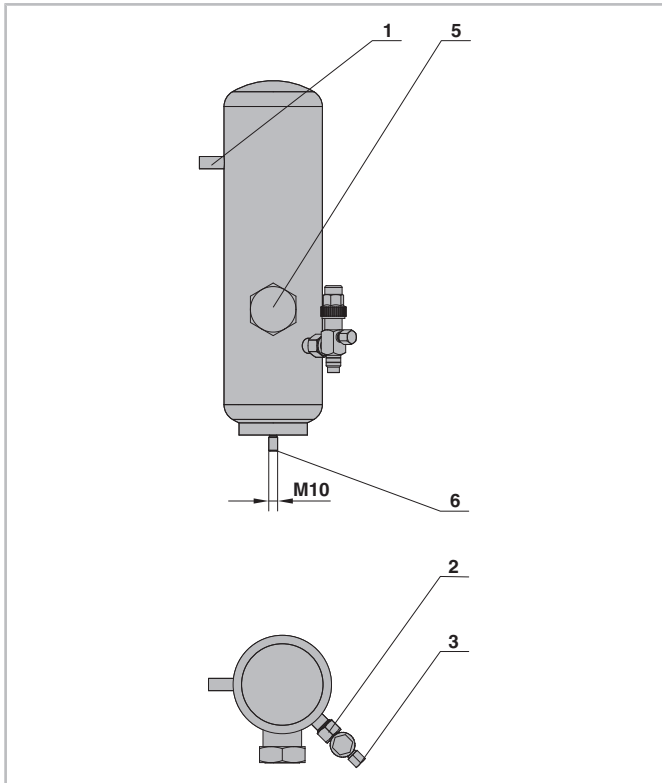


Fig. 9: FS33, FS38, FS83, FS36(P)

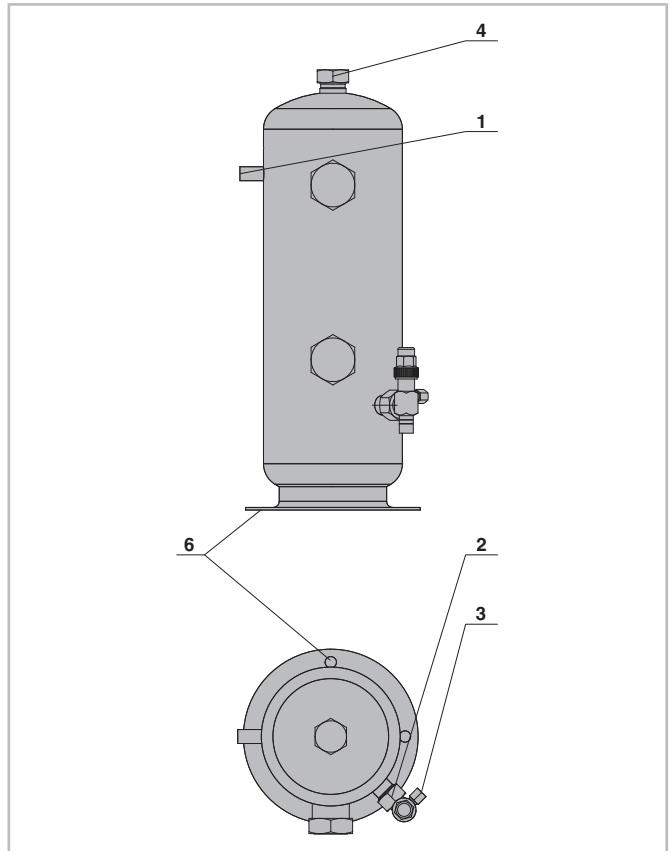


Fig. 10: FS56, FS76, FS126, FS48, FS68, FS78, FS128, FS188, FS268, FS302K .. FS1602K

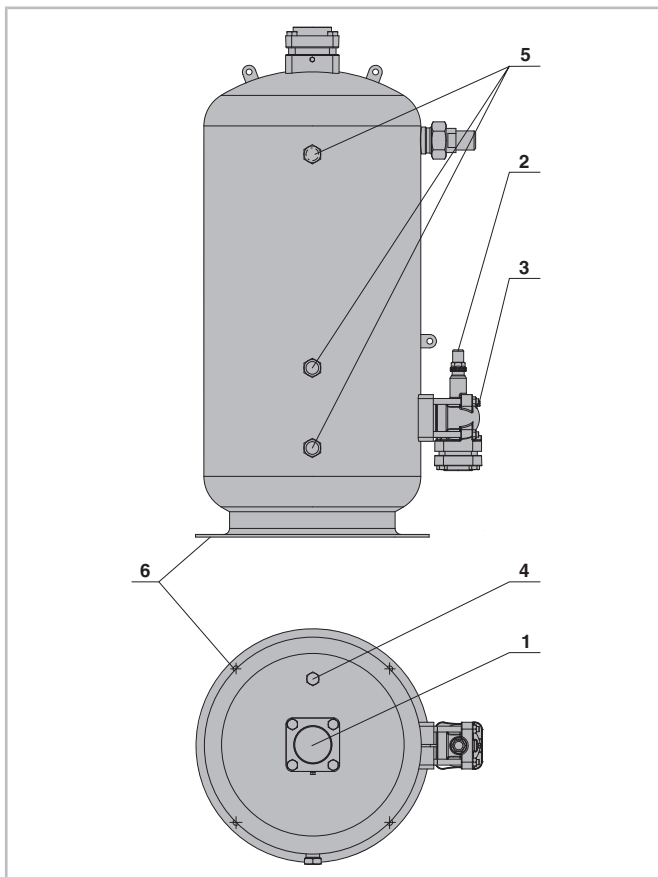


Fig. 11: FS102(P), FS152(P) .. FS5502(P)

Positions de raccordement	
1	Entrée de fluide frigorigène
2	Sortie de fluide frigorigène
3	Raccord du manomètre
4	Raccord pour la soupape de décharge
5	Voyant
6	Fixation

Tab. 3: Positions de raccordement

Les cotes indiquées sont susceptibles de présenter une tolérance selon la norme EN ISO 13920-B.

La légende vaut pour tous les réservoirs de liquide BITZER et comprend des positions de raccordement qui ne sont pas disponibles sur toutes les séries de réservoirs.

Équerre de fixation

Lettre finale « N » = en bas

Lettre finale « H » & « T » = en bas & en haut

4.10 Cotes de raccordement pour réservoirs de liquide

Types	1 Ø entrée		2 Ø sortie		3 Manomètre	4 Soupape de dé-charge	6 Ø fixa- tion
	mm	pouces	mm	pouces			
F062H(P)	12	1/2	10	3/8	7/16 -20 UNF	Filet intérieur : 3/8 -18 NPTF Filet extérieur : 1 1/4 -12 UNF	9
F102H(P)	16	5/8	12	1/2	7/16 -20 UNF	c.f. plus haut	9
F152H(P)	22	7/8	16	5/8	7/16 -20 UNF	c.f. plus haut	9
F182	16	5/8	16	5/8	7/16 -20 UNF	c.f. plus haut	9
F192T(P)	16	5/8	16	5/8	7/16 -20 UNF	c.f. plus haut	9
F202H(P)	22	7/8	22	7/8	7/16 -20 UNF	c.f. plus haut	9
F202HA	DN 20	7/8	DN 20	7/8	-	c.f. plus haut	9
F252H(P)	22	7/8	22	7/8	7/16 -20 UNF	c.f. plus haut	9
F302G	42	1 5/8	42	1 5/8	7/16 -20 UNF	c.f. plus haut	9
F302H(P)	22	7/8	22	7/8	7/16 -20 UNF	c.f. plus haut	9
F302K	2 x 22	2 x 7/8	22	7/8	7/16 -20 UNF	c.f. plus haut	9
F312	22	7/8	22	7/8	7/16 -20 UNF	c.f. plus haut	9
F392T(P)	22	7/8	22	7/8	7/16 -20 UNF	c.f. plus haut	9
F402H(P)	28	1 1/8	28	1 1/8	7/16 -20 UNF	c.f. plus haut	9
F402HA	DN 25	1 1/8	DN 25	1 1/8	-	c.f. plus haut	9
F552T(P)	28	1 1/8	28	1 1/8	7/16 -20 UNF	c.f. plus haut	9
F562G	54	2 1/8	42	1 1/8	7/16 -20 UNF	c.f. plus haut	13
F562K	2 x 22	2 x 7/8	22	7/8	7/16 -20 UNF	c.f. plus haut	13
F562N	35	1 3/8	28	1 1/8	7/16 -20 UNF	c.f. plus haut	9
F562NP	42	1 5/8	35	1 3/8	-	c.f. plus haut	9
F562NA	DN 40	1 5/8	DN 32	1 3/8	-	c.f. plus haut	9
F732N	35	1 3/8	28	1 1/8	7/16 -20 UNF	c.f. plus haut	9
F732NP	42	1 5/8	35	1 3/8	-	c.f. plus haut	9
F902N	42	1 5/8	35	1 3/8	7/16 -20 UNF	c.f. plus haut	9
F902NP	42	1 5/8	35	1 3/8	-	c.f. plus haut	9
F1052G	54	2 1/8	42	1 5/8	7/16 -20 UNF	c.f. plus haut	13
F1052K	2 x 22	2 x 7/8	22	7/8	7/16 -20 UNF	c.f. plus haut	13
F1052T	42	1 5/8	35	1 3/8	7/16 -20 UNF	c.f. plus haut	9
F1052TP	42	1 5/8	35	1 3/8	-	c.f. plus haut	9
F1052TA	DN 40	1 5/8	DN 32	1 3/8	-	c.f. plus haut	9
F1202N	54	2 1/8	42	1 5/8	7/16 -20 UNF	c.f. plus haut	13
F1202NP	54	2 1/8	42	1 5/8	-	c.f. plus haut	13
F1602G	76	3 1/8	54	2 1/8	7/16 -20 UNF	c.f. plus haut	13
F1602K	2 x 28	2 x 1 1/8	28	1 1/8	7/16 -20 UNF	c.f. plus haut	13
F1602N	54	2 1/8	42	1 5/8	7/16 -20 UNF	c.f. plus haut	13

Types	1		2		3		4	6
	Ø entrée		Ø sortie		Manomètre		Soupape de dé-charge	Ø fixa-tion
F1602NP	54	2 1/8	42	1 5/8	-		c.f. plus haut	13
F1602NA	DN 50	2 1/8	DN 40	1 5/8	7/16 -20 UNF		c.f. plus haut	13
F2202N(P)	76	3 1/8	54	2 1/8	1/4 -18NPTF		c.f. plus haut	13
F3102N(P)	76	3 1/8	54	2 1/8	1/4 -18NPTF		c.f. plus haut	13
F3102NA	DN 80	3 1/8	DN 50	2 1/8	1/4 -18NPTF		c.f. plus haut	13
FS33	10	3/8	10	3/8	7/16 -20 UNF		c.f. plus haut	M10
FS36(P)	10	3/8	10	3/8	7/16 -20 UNF		c.f. plus haut	M10
FS48	10	3/8	10	3/8	7/16 -20 UNF		*	13
FS48P	10	3/8	10	3/8	7/16 -20 UNF		c.f. plus haut	13
FS53	12	1/2	10	3/8	7/16 -20 UNF		c.f. plus haut	M10
FS56(P)	10	3/8	10	3/8	7/16 -20 UNF		c.f. plus haut	M10
FS68	12	1/2	12	1/2	7/16 -20 UNF		*	13
FS68P	12	1/2	12	1/2	7/16 -20 UNF		c.f. plus haut	13
FS76(P)	12	1/2	12	1/2	7/16 -20 UNF		c.f. plus haut	13
FS78	12	1/2	12	1/2	7/16 -20 UNF		*	13
FS83	16	5/8	12	1/2	7/16 -20 UNF		c.f. plus haut	M10
FS102(P)	16	5/8	12	1/2	7/16 -20 UNF		c.f. plus haut	13
FS126(P)	12	1/2	12	1/2	7/16 -20 UNF		c.f. plus haut	13
FS128	16	5/8	12	1/2	7/16 -20 UNF		*	13
FS128P	16	5/8	12	1/2	7/16 -20 UNF		c.f. plus haut	13
FS152(P)	22	7/8	16	5/8	7/16 -20 UNF		c.f. plus haut	13
FS188	16	5/8	16	5/8	7/16 -20 UNF		*	13
FS202(P)	22	7/8	22	7/8	7/16 -20 UNF		c.f. plus haut	13
FS252(P)	22	7/8	22	7/8	7/16 -20 UNF		c.f. plus haut	13
FS268(P)	22	7/8	22	7/8	7/16 -20 UNF		c.f. plus haut	13
FS302(P)	28	1 1/8	22	7/8	7/16 -20 UNF		c.f. plus haut	13
FS302K	2 x 22	2 x 7/8	22	7/8	7/16 -20 UNF		c.f. plus haut	13
FS402(P)	28	1 1/8	22	7/8	7/16 -20 UNF		c.f. plus haut	13
FS562	35	1 3/8	28	1 1/8	7/16 -20 UNF		c.f. plus haut	13
FS562K	2 x 22	2 x 7/8	22	7/8	7/16 -20 UNF		c.f. plus haut	13
F562P	42	1 5/8	35	1 3/8	-		c.f. plus haut	13
FS732	35	1 3/8	28	1 1/8	7/16 -20 UNF		c.f. plus haut	13
FS732P	42	1 5/8	35	1 3/8	-		c.f. plus haut	13
FS902	42	1 5/8	35	1 3/8	7/16 -20 UNF		c.f. plus haut	13
FS902K	2 x 22	2 x 7/8	22	7/8	7/16 -20 UNF		c.f. plus haut	13
FS902P	42	1 5/8	35	1 3/8	-		c.f. plus haut	13
FS1122	54	2 1/8	42	1 5/8	7/16 -20 UNF		c.f. plus haut	13
FS1122P	54	2 1/8	42	1 5/8	-		c.f. plus haut	13
FS1602	54	2 1/8	42	1 5/8	7/16 -20 UNF		c.f. plus haut	13
FS1602K	2 x 28	2 x 1 1/8	28	1 1/8	7/16 -20 UNF		c.f. plus haut	13
FS1602P	54	2 1/8	42	1 5/8	-		c.f. plus haut	13

Types	1		2		3	4	6
	Ø entrée		Ø sortie		Manomètre	Soupape de décharge	Ø fixation
FS2202(P)	76	3 1/8	54	2 1/8	1/4 -18 NPTF	c.f. plus haut	13
FS3102(P)	76	3 1/8	54	2 1/8	1/4 -18 NPTF	c.f. plus haut	13
FS4002(P)	DN 100		76	3 1/8	1/4 -18 NPTF	c.f. plus haut	18
FS4752(P)	DN 100		76	3 1/8	1/4 -18 NPTF	c.f. plus haut	18
FS5502(P)	DN 100		76	3 1/8	1/4 -18 NPTF	c.f. plus haut	18

* Raccord pour soupape de décharge sur demande.

Tab. 4: Cotes de raccordement réservoirs de liquide

4.11 Raccords séparateurs d'huile

Monter les séparateurs d'huile sur une surface horizontale avec la fixation indiquée sur le dessin (12) pointant vers le bas ! Les séparateurs d'huile de la série OAS doivent être montés sur une surface verticale à l'aide de la fixation (12) indiquée sur le dessin ! Maintenir l'orientation des raccords comme illustré au croquis coté !

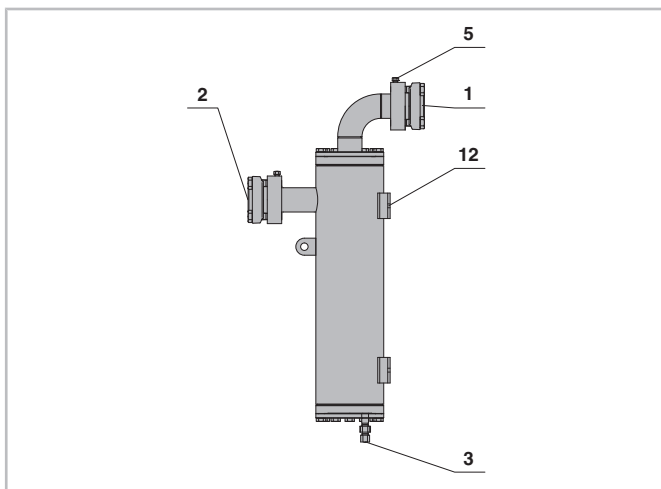


Fig. 12: OAS322 .. OAS3088

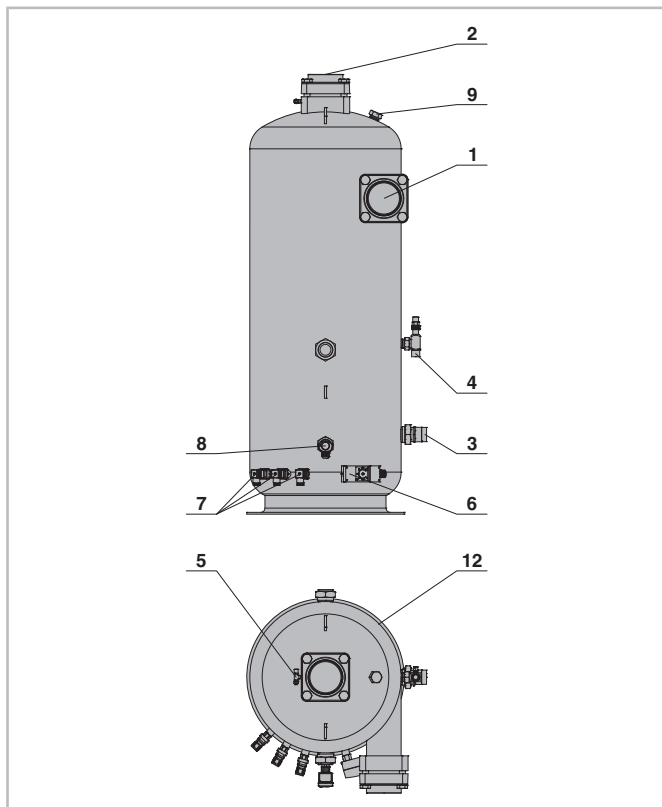


Fig. 14: OA9111(A) .. OA25112(A), OAF15211

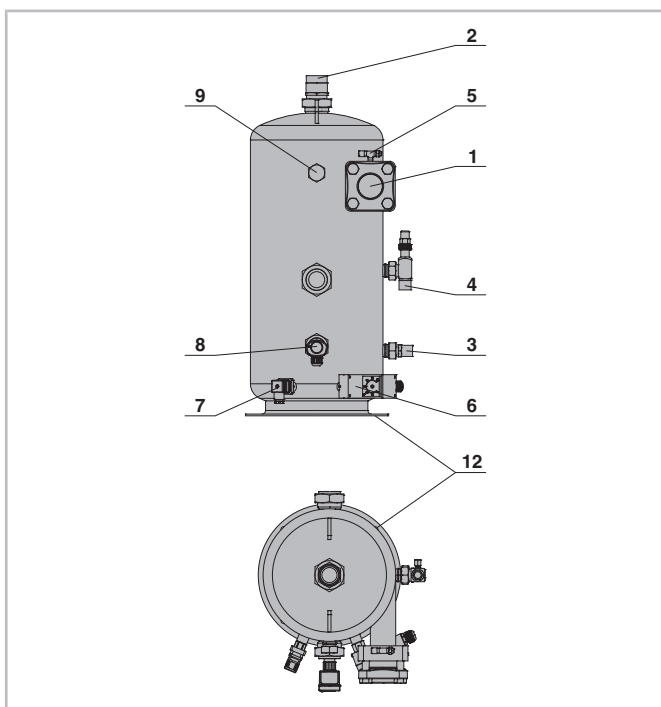


Fig. 13: OA1954(A) .. OA4188(A), OAF6288

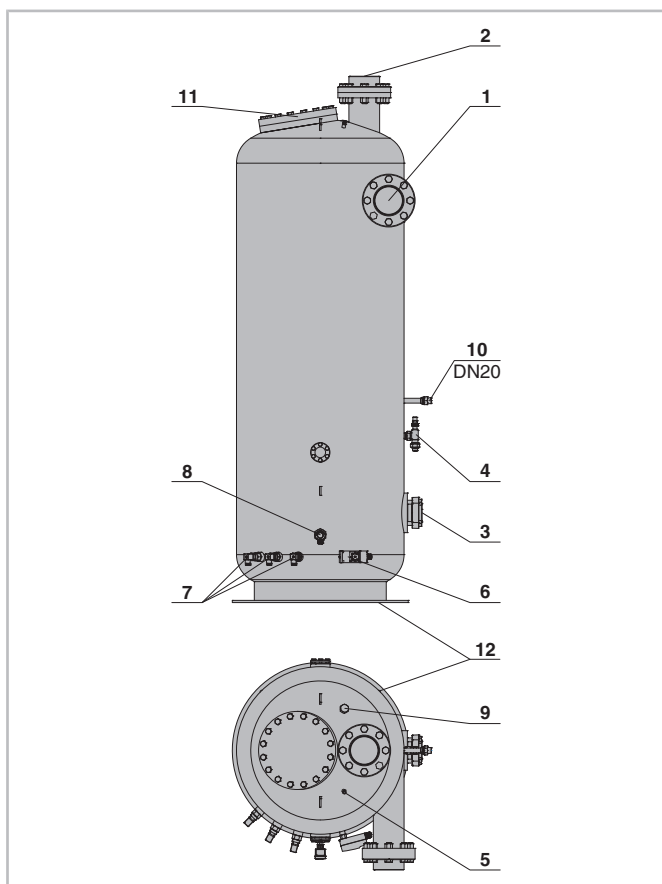


Fig. 15: OAC14011A .. OAC25112A

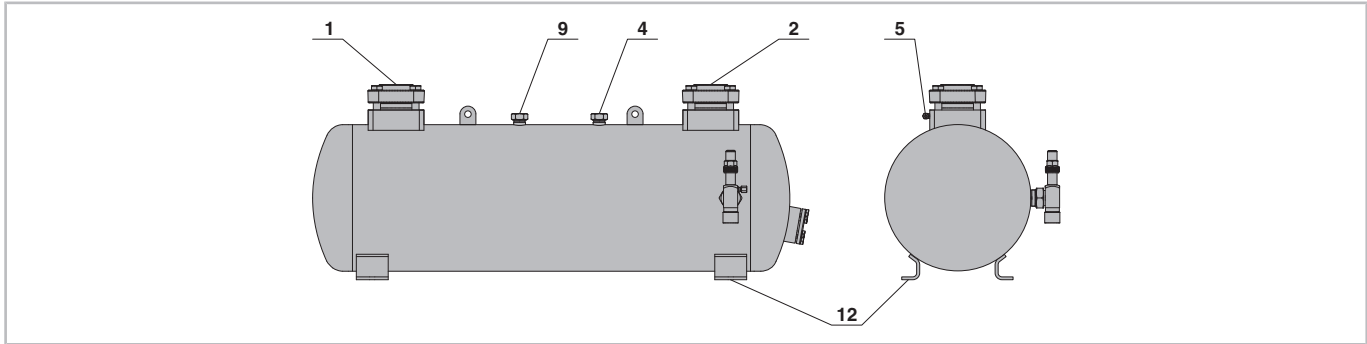


Fig. 16: OAH2888 .. OAH7088

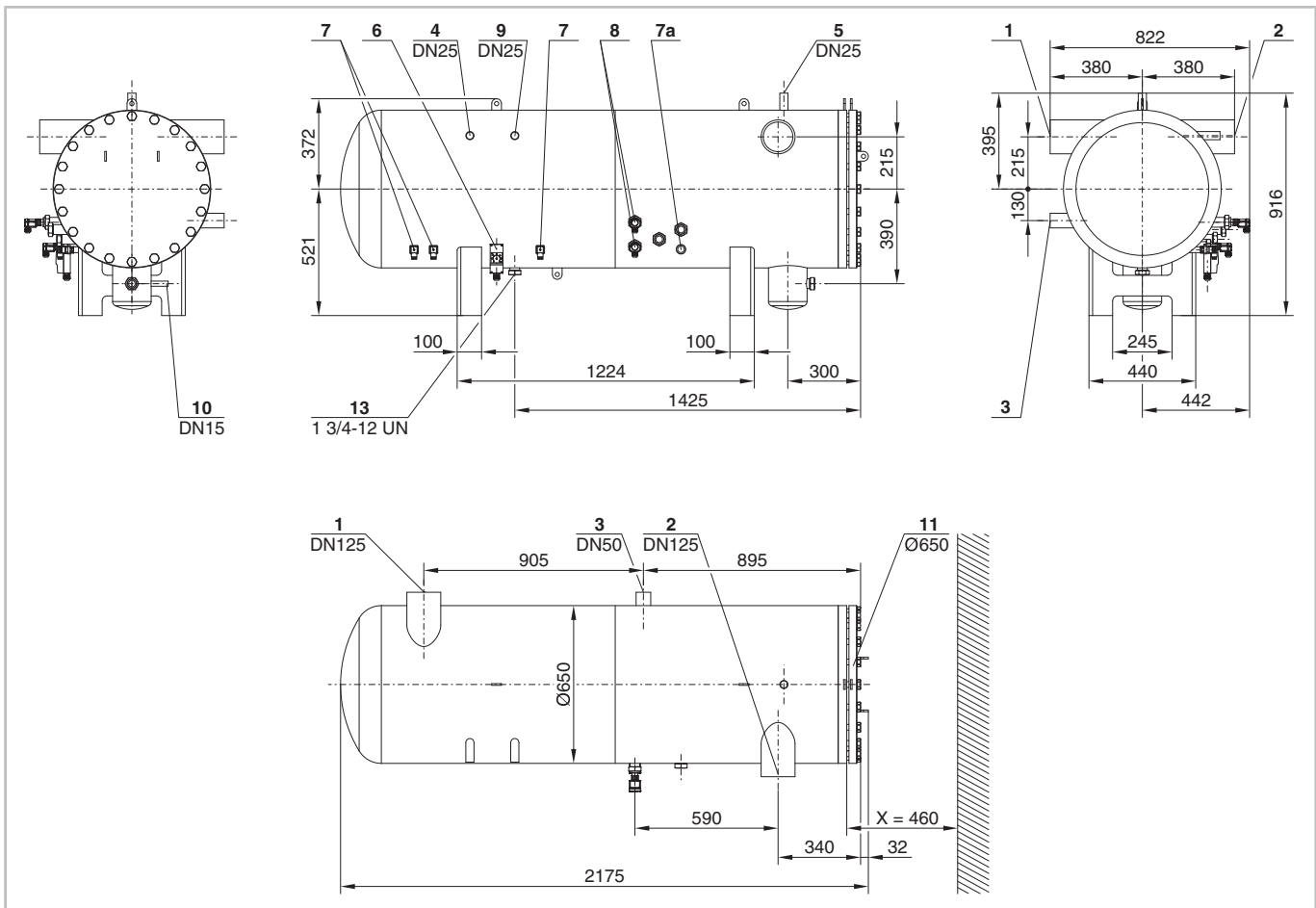


Fig. 17: OAH65051A

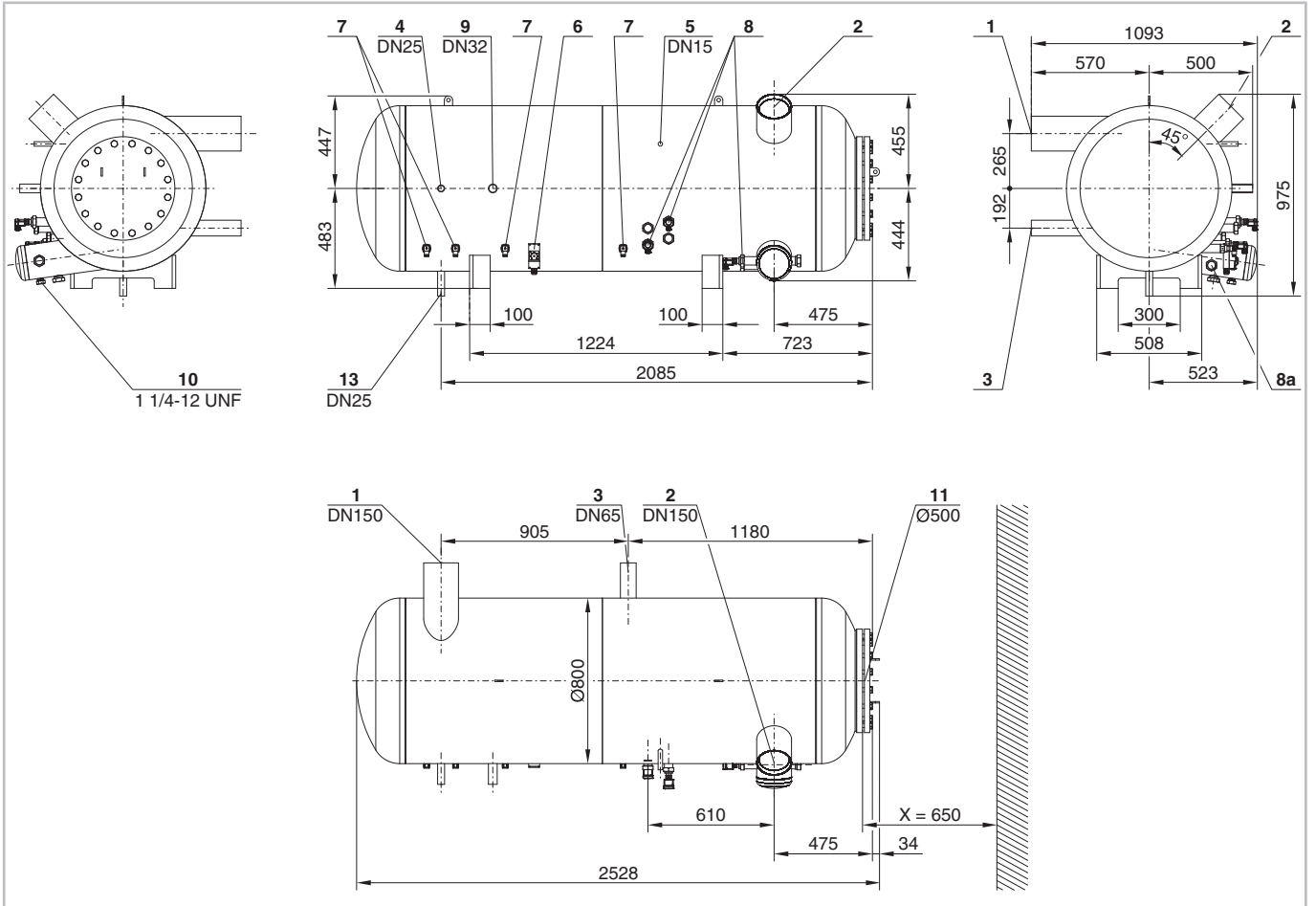


Fig. 18: OAH80051A

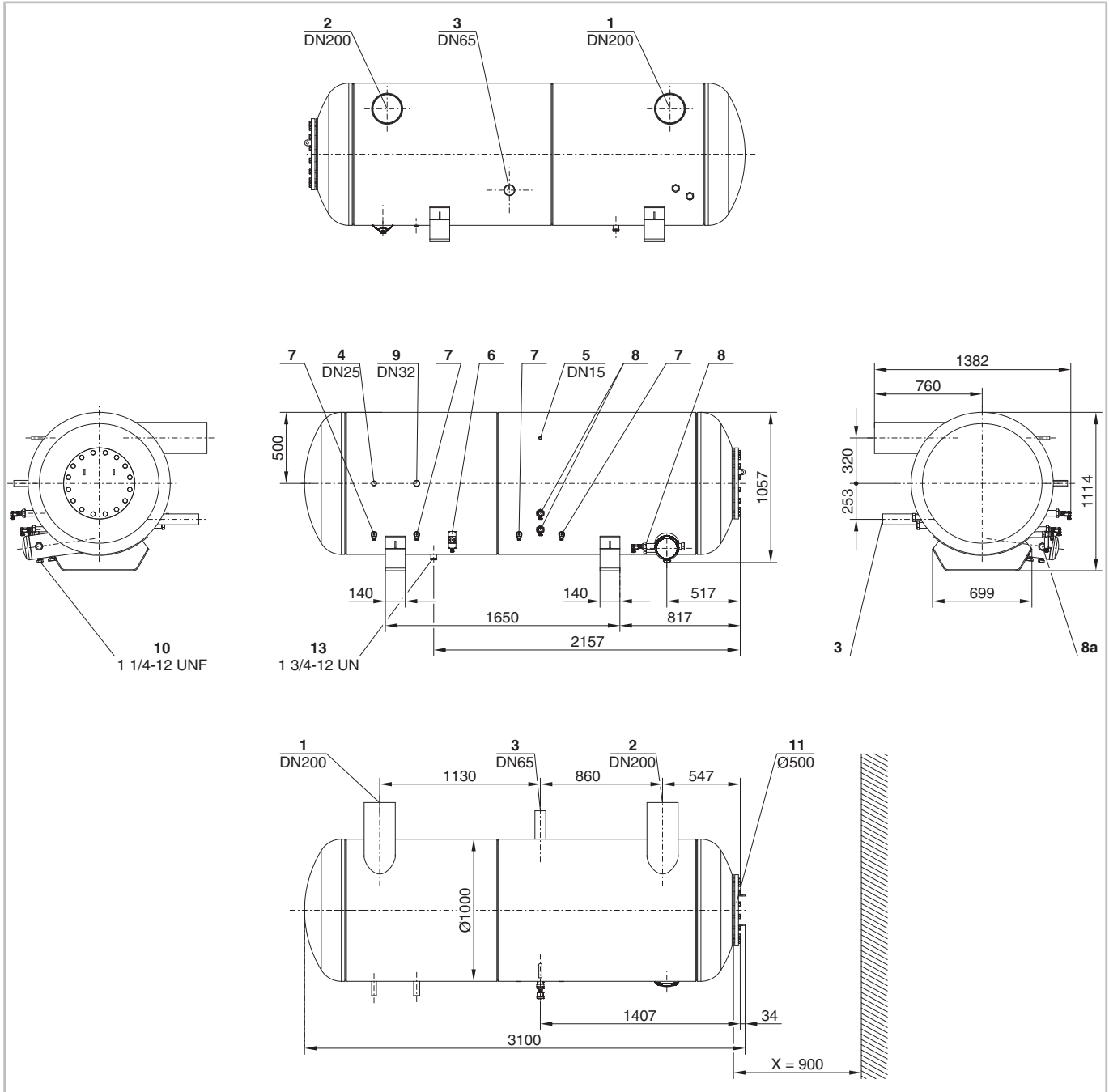


Fig. 19: OAHC100051A

Positions de raccordement	
1	Entrée de fluide frigorigène
2	Sortie de fluide frigorigène
3	Sortie d'huile
4	Raccord de remplissage d'huile
5	Raccord de maintenance OAHC : Raccord pour conduite d'égalisation de pression
6	Raccord pour thermostat d'huile
7	Raccord pour réchauffeur d'huile
7a	Doigt de gant (raccord pour réchauffeur d'huile optionel)
8	Raccord pour contrôleur de niveau d'huile
9	Raccord pour la soupape de décharge
10	Sortie d'huile (étage secondaire ; pour OAHC, étage tertiaire)
11	Bride de service pour cartouches de filtrage (filtre de l'étage secondaire ; pour OAHC : filtre de l'étage tertiaire)
12	Trou de fixation
13	Vidange d'huile

Tab. 5: Positions de raccordement

Les cotes indiquées sont susceptibles de présenter une tolérance selon la norme EN ISO 13920-B.

La légende vaut pour tous les séparateurs d'huile BITZER et comprend des positions de raccordement qui ne sont pas disponibles sur toutes les séries de séparateurs d'huile.

4.12 Cotes de raccordement pour séparateur d'huile

Types	1 Ø	2 Ø	3 Ø	4 Ø	5	6	7	9*	12 Ø
OA1954	DN 50	42 mm, 1 5/8	Rotalock 22 mm, 7/8	Rotalock 22 mm, 7/8	1/8 - 27 NPTF	3/8 - 18 NPTF	3/8 - 18 NPTF	1 1/4 - 12 UNF	13
OA4188	DN 80	DN 80	Rotalock 35 mm, 1 3/8	Rotalock 22 mm, 7/8	1/8 - 27 NPTF	3/8 - 18 NPTF	3/8 - 18 NPTF	1 1/4 - 12 UNF	13
OA9111	DN 100	DN 100	42 mm, 1 5/8	Rotalock 22 mm, 7/8	1/8 - 27 NPTF	3/8 - 18 NPTF	3/8 - 18 NPTF	1 1/4 - 12 UNF	14
OA14111	DN 100	DN 100	54 mm, 2 1/8	Rotalock 22 mm, 7/8	1/8 - 27 NPTF	3/8 - 18 NPTF	3/8 - 18 NPTF	1 1/4 - 12 UNF	14
OA25112	DN 125	DN 125	76 mm, 3 1/8	Rotalock 22 mm, 7/8	1/8 - 27 NPTF	3/8 - 18 NPTF	1 1/8 - 18 UNEF	1 1/4 - 12 UNF	14
OA1954A	DN 50	DN 50	DN 20	DN 12	1/8 - 27 PTF	3/8 - 18 NPTF	3/8 - 18 NPTF	1 1/4 - 12 UNF	13
OA4188A	DN 80	DN 80	DN 32	DN 12	1/8 - 27 NPTF	3/8 - 18 NPTF	3/8 - 18 NPTF	1 1/4 - 12 UNF	13
OA9111A	DN 100	DN 100	DN 40	DN 12	1/8 - 27 NPTF	3/8 - 18 NPTF	3/8 - 18 NPTF	1 1/4 - 12 UNF	14
OA14111A	DN 100	DN 100	DN 50	DN 12	1/8 - 27 NPTF	3/8 - 18 NPTF	3/8 - 18 NPTF	1 1/4 - 12 UNF	14
OA25112A	DN 125	DN 125	DN 80	DN 12	1/8 - 27 NPTF	3/8 - 18 NPTF	1 1/8 - 18 UNEF	1 1/4 - 12 UNF	14
OAC14011A	DN 100	DN 100	DN 50	DN 12	1/8 - 27 NPTF	3/8 - 18 NPTF	3/8 - 18 NPTF	1 1/4 - 12 UNF	14
OAC25012A	DN 125	DN 125	DN 80	DN 12	1/8 - 27 NPTF	3/8 - 18 NPTF	1 1/8 - 18 UNEF	1 1/4 - 12 UNF	14
OAS322	DN 25	DN 25	Ø 10 mm	-	-	-	-	-	9
OAS744	DN 40	DN 40	Ø 10 mm	-	-	-	-	-	9
OAS1055	DN 50	DN 50	Ø 10 mm	-	1/8 - 27 NPTF	-	-	-	9
OAS1655	DN 50	DN 50	Ø 10 mm	-	1/8 - 27 NPTF	-	-	-	9
OAS3088	DN 80	DN 80	Ø 10 mm	-	1/8 - 27 NPTF	-	-	-	9
OAF6288	DN 80	DN 80	Rotalock Ø 12	-	1/8 - 27 NPTF	-	-	1 1/4 - 12 UNF	9
OAF15211	DN 100	DN 100	Rotalock Ø 12	-	1/8 - 27 NPTF	-	-	1 1/4 - 12 UNF	9
OAH2888	DN 80	DN 80	D35L	1 1/4 - 12 UNF	1/8 - 27 NPTF	-	-	1 1/4 - 12 UNF	13
OAH7088	DN 80	DN 80	D35L	1 1/4 - 2 UNF	-	-	-	1 1/4 - 12 UNF	13

Types	1 Ø	2 Ø	3 Ø	4 Ø	5	6	7	9*	12 Ø
OAHC65051A	DN 125	DN 125	DN 50	DN 25	DN 25	3/8 - 18 NPTF	3/8 - 18 NPTF	DN 25	-
OAHC80051A	DN 150	DN 150	DN 65	DN 25	DN 25	3/8 - 18 NPTF	1 1/8 - 18 UNEF	DN 32	-
OAHC100051A	DN 200	DN 200	DN 65	DN 25	DN 25	3/8 - 18 NPTF	1 1/8 - 18 UNEF	DN 32	-
* Filet extérieur : 1 1/4 -12 UNF, filet intérieur : 3/8 18 NPTF									

Tab. 6: Cotes de raccordement pour séparateur d'huile

5 Mettre en service

Le réservoir sous pression a été contrôlé en usine en tant qu'appareil individuel. Après le montage, l'étanchéité des raccords et du système de tuyauterie doit être contrôlée de nouveau.

5.1 Remplir d'huile

OA1854(A) .. OA25012(A), OA1954(A) .. OA25112(A)

Remplir la charge d'huile complète de l'installation via le raccord de remplissage d'huile du séparateur d'huile.

Volume de charge d'huile :

- charge de service du séparateur d'huile
- ainsi que l'ensemble des quantités d'huile circulant dans l'installation (par ex. refroidisseur d'huile, conduite d'huile)

OAS322 .. OAS3088, OAF6288 .. OAF15211

Préremplir la charge de service d'huile dans le séparateur d'huile secondaire (OAHC : dans le séparateur d'huile tertiaire).

Type	Charge de service
OA1954(A)	18 l
OA4188(A)	40 l
OA9111(A)	90 l
OA14111(A)	140 l
OA25112(A)	250 l
OAC14011A	140 l
OAC25112A	250 l
OAH2888	28 l
OAH7088	70 l
OAS322	env. 0,5 l
OAS744	env. 1,0 l
OAS1055	env. 1,0 l
OAS1655	env. 1,0 l
OAS3088	env. 1,5 l
OAF6288	11,8 l
OAF15211	31,8 l
OAHC65051A	80 l
OAHC80051A	180 l
OAHC100051A	310 l

5.2 Contrôler l'étanchéité

Contrôler l'étanchéité du circuit frigorifique (groupe assemblé) ainsi que de ses parties individuelles selon la norme EN 378-2 ou toute autre norme de sécurité équivalente également valable. Pour ce faire, créer de préférence une surpression à l'aide d'azote sec.



DANGER

Danger d'éclatement dû à une trop grande pression !

La pression d'essai ne doit pas dépasser la pression maximale admissible !

Pression d'essai : 1,1 fois la pression de service maximale admissible (voir plaque de désignation). Différencier les côtés de haute et de basse pression !

5.3 Tirage à vide

- Mettre en marche le réchauffeur d'huile.
- Ouvrir les vannes d'arrêt et les vannes magnétiques présentes.
- Mettre sous vide l'ensemble de l'installation, y compris le compresseur du côté d'aspiration et du côté haute pression, à l'aide d'une pompe à vide.

Pour une puissance de pompe bloquée, le « vide stable » atteint doit être inférieur à 1,5 mbar.

- Si nécessaire, répéter le processus à plusieurs reprises.

AVIS

Risque de défaut du moteur et du compresseur !

Ne pas démarrer le compresseur à vide !
Ne pas mettre de tension, même pour le contrôle !

5.4 Remplir fluide frigorigène

N'utiliser que des fluides frigorigènes autorisés, voir chapitre Champs d'application, page 70.

DANGER

Danger d'éclatement des composants et tuyaux dû à une surpression hydraulique pendant le remplissage en phase liquide.
Risque de blessures graves.
Éviter absolument une suralimentation de l'installation avec le fluide frigorigène !

AVERTISSEMENT

L'utilisation de fluides frigorigènes non conformes est susceptible de faire éclater le compresseur !
Risque de blessures graves !
N'utiliser que les fluides frigorigènes vendus par des constructeurs renommés et des partenaires commerciaux sérieux !

AVIS

Risque de fonctionnement en noyé pendant l'alimentation en fluide !
Doser de façon extrêmement précise !
Maintenir la température de l'huile au-dessus de 40°C.

- Avant de remplir de fluide frigorigène : Ne pas mettre en circuit le compresseur !
- Mettre en circuit le réchauffeur d'huile au niveau du compresseur et du séparateur d'huile.
- Contrôler le niveau d'huile dans le compresseur.

- Remplir directement le fluide frigorigène dans le condenseur ou le réservoir ainsi que le cas échéant, pour les installations avec évaporateur noyé, dans l'évaporateur.
- Retirer le mélange du cylindre de remplissage en tant que phase liquide et sans bulles.
- Après la mise en service, il se peut qu'un remplissage complémentaire soit nécessaire : Lorsque le compresseur est en marche, remplir le fluide frigorigène depuis le côté d'aspiration, dans l'idéal via l'entrée de l'évaporateur.

5.5 Démarrage du compresseur

5.5.1 Contrôler le niveau d'huile

Pour les séparateurs d'huile, le niveau d'huile doit être visible dans le voyant ou tout au plus 5 cm au-dessous.

5.5.2 Vibrations

Contrôler l'ensemble de l'installation, en particulier les conduites et les tubes capillaires, afin de détecter toute vibration anormale. Le cas échéant, prendre des mesures de protection supplémentaires.

AVIS

Risque de rupture de tuyau et de fuite au niveau du compresseur et des composants de l'installation !
Éviter les vibrations importantes !

DANGER

Risque d'éclatement de l'équipement sous pression suite à des tensions mécaniques.
Risque de blessures graves.
Veiller à ce que les tubes soient montés sans contrainte sur l'équipement sous pression !

5.5.3 Contrôler les caractéristiques de fonctionnement

- Température d'évaporation
- Température du gaz d'aspiration
- Température de condensation
- Température du gaz de refoulement
- Température d'huile
- Fréquence d'enclenchements

Créer un protocole de données.

6 Fonctionnement

Le réservoir sous pression doit être contrôlé régulièrement par une personne compétente. La périodicité des contrôles dépend du mode d'exploitation. Elle doit être déterminée par l'utilisateur final.

7 Maintenance

Les réservoirs de liquide et séparateurs d'huile OA1854(A) .. OA25012(A) / OA1954(A) .. OA25112(A) sont dimensionnés pour un service sans entretien.

Les cartouches filtrantes des séparateurs d'huile combinés et secondaires doivent être remplacées lorsque la décharge de pression dépasse 0,5 bar.

7.1 Remplacer les cartouches filtrantes

- Fermer les vannes d'arrêt avant et après le séparateur d'huile.
- Évacuer la pression du séparateur d'huile. Pour cela, il faut aspirer le fluide frigorigène et le recycler de façon adaptée.
- Démonter les cartouches filtrantes.
- Insérer des cartouches neuves.
- Compléter la charge d'huile (voir chapitre Remplir d'huile, page 92). Ne pas réutiliser l'huile usagée !



AVERTISSEMENT

L'équipement sous pression est sous pression !
Risque de blessures graves !
Évacuer la pression de l'équipement sous pression !
Porter des lunettes de protection !

7.1.1 Série OAC

Voir voir figure 20, page 95.

- Ouvrir la bride de service (1).
- Les cartouches filtrantes sont disposées en paires, les unes au-dessus des autres : le modèle OAC14011A contient 4 paires de cartouches, le modèle OAC25112A en a 6.
- Enlever les paires de cartouches l'une après l'autre : Enlever l'écrou de fermeture (2) et l'élément de centrage (3). Enlever la cartouche filtrante supérieure (4). Dévisser la barre de guidage (5) supérieure. En-

lever l'élément de liaison (6). Enlever la cartouche filtrante inférieure (4). La barre de guidage inférieure (7) reste dans le séparateur d'huile combiné.

- Répéter les étapes pour enlever les autres paires de cartouches.
- Une fois enlevés l'écrou de verrouillage (2) et l'élément de centrage (3), la paire de cartouches correspondante peut être basculée.
- Insérer les cartouches filtrantes neuves. Serrer les écrous de fermeture (2) (10 Nm).
- Visser fermement la bride de service (1) (98 Nm).

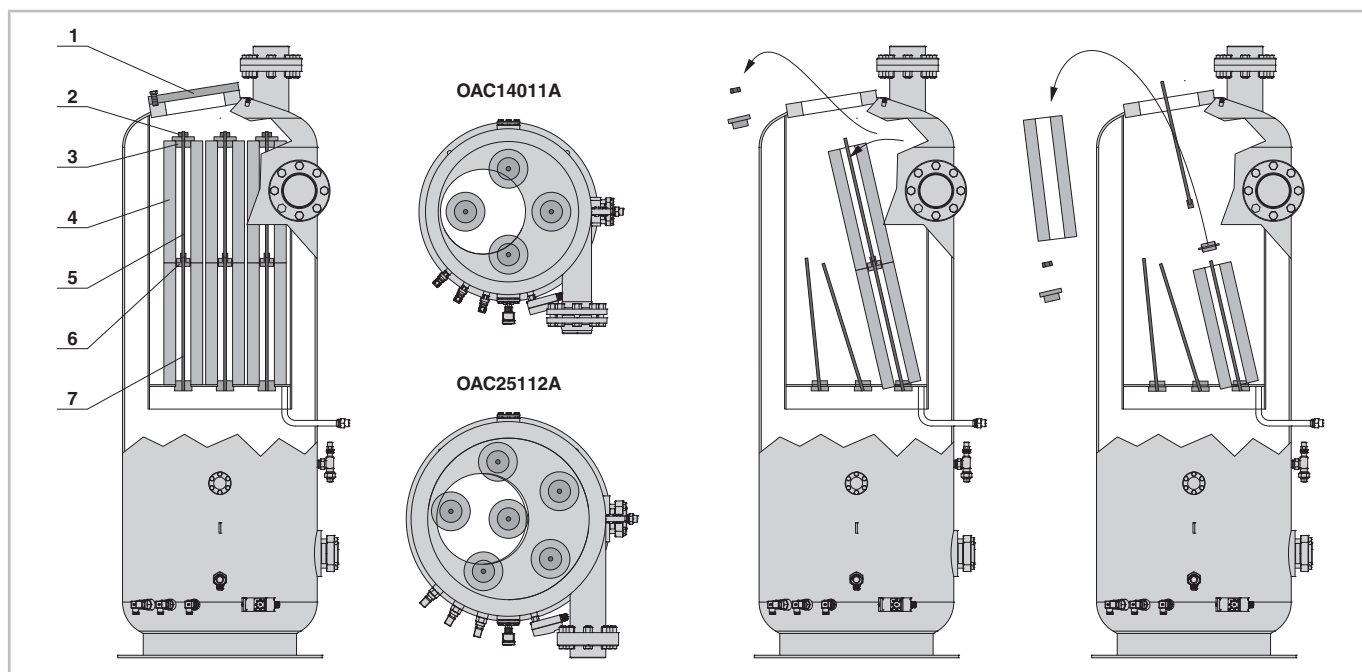


Fig. 20: Série OAC : Remplacer la cartouche filtrante

1	Bride de service
2	Écrou de fermeture
3	Élément de centrage
4	Cartouche filtrante
5	Barre de guidage supérieure
6	Élément de liaison
7	Barre de guidage inférieure

7.1.2 Série OAS

Voir voir figure 21, page 96.

- Vider l'huile située dans la conduite de retour d'huile (4).
- Ouvrir la bride (1). Récupérer l'huile restante.
- OAS332 et OAS744 : Dévisser la cartouche filtrante (3). OAS1055 .. OAS3088 : Retirer la vis (2).
- Retirer la cartouche filtrante (3) en la tirant vers le bas.

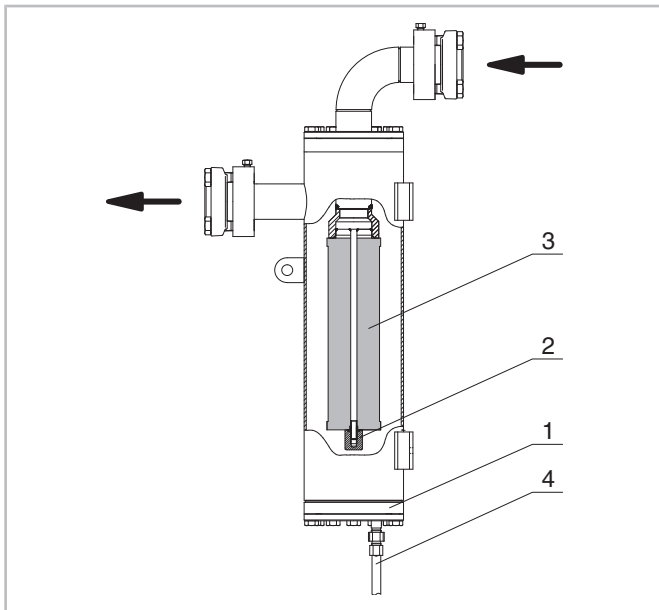


Fig. 21: Série OAS : Remplacer les cartouches filtrantes

1	Bride
2	Vis de fixation
3	Cartouche filtrante
4	Retour d'huile

7.1.3 Série OAHC

Voir voir figure 22, page 97.

- Lors du remplacement des cartouches filtrantes, accrocher un dispositif de levage approprié aux œillets (4) du couvercle (1).
- Desserrer les vis du couvercle (1) de manière symétrique et enlever le couvercle vers l'avant à l'aide du dispositif de levage.

- 4 cartouches filtrantes (3) se trouvent dans le OAHC.A. Desserrer les écrous de fixation et les contre-écrous (2) et enlever les cartouches (3) l'une après l'autre dans le sens contraire des aiguilles d'une montre.
- Insérer les cartouches filtrantes neuves. Serrer les écrous de fixation et les contre-écrous (2) (10 Nm).
- Insérer les joints neufs.
- Visser fermement le couvercle (1) (730 Nm).



AVERTISSEMENT

Le couvercle est très lourd (100 kg) !
Risque d'écrasement grave !



N'enlever le couvercle qu'à l'aide des dispositifs appropriés ! Porter des chaussures de sécurité !

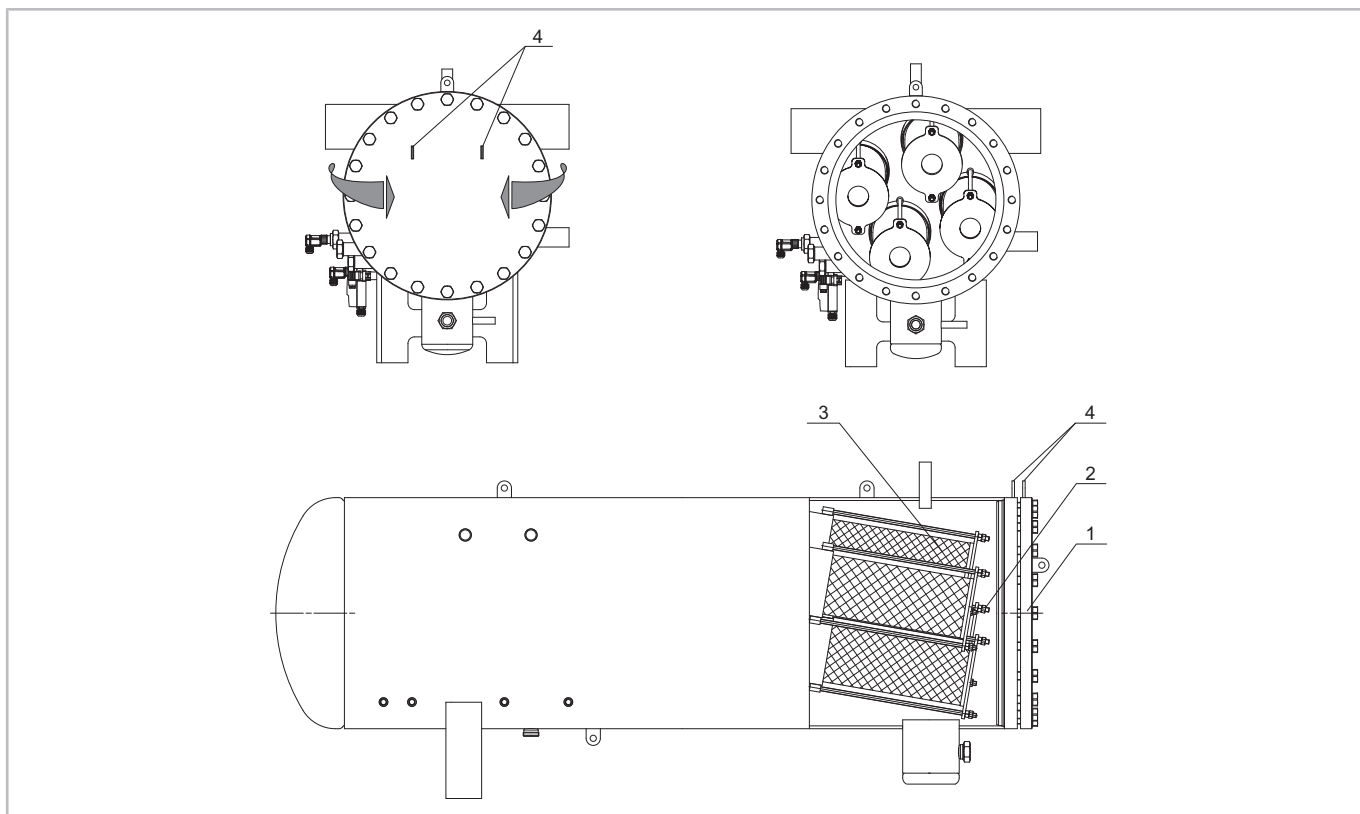


Fig. 22: Série OAHC : Remplacer les cartouches filtrantes

1	Couvercle
2	Écrou de fixation avec contre-écrou
3	Cartouche filtrante
4	Œillets

7.2 Aspirer le fluide frigorigène

- Avant une réparation ou la mise hors service des réservoirs sous pression, aspirer ou pomper le fluide frigorigène en phase liquide.
- Recycler le fluide frigorigène de façon adaptée.

7.3 Vidanger l'huile

Lors des travaux de réparation ou avec la mise hors service de l'équipement sous pression, fermer les tuyaux de fluide frigorigène et de l'huile en amont et en aval du refroidisseur d'huile. Préparer une gouttière à l'huile. Vider l'huile, la collecter et l'éliminer dans le respect de l'environnement.



AVERTISSEMENT

L'équipement sous pression est sous pression !
Risque de blessures graves !
Évacuer la pression de l'équipement sous pression !
Porter des lunettes de protection !

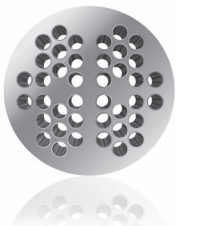
8 Mettre hors service

En cas de sinistre, le le réservoir sous pression doit être isolé du système de refroidissement et remplacé. Pour cela, il faut aspirer le fluide frigorigène et vidanger l'huile.

Éliminer les matériaux contaminés dans le respect de l'environnement ! Les huiles chlorées usées sont considérées comme des déchets spéciaux.

Notes

A large area of dotted lines for taking notes.





80491105 // 07.2017

Subject to change
Änderungen vorbehalten
Toutes modifications réservées

BITZER Kühlmaschinenbau GmbH
Eschenbrünlestraße 15 // 71065 Sindelfingen // Germany
Tel +49 (0)70 31 932-0 // Fax +49 (0)70 31 932-147
bitzer@bitzer.de // www.bitzer.de