

Date 13/5/2020  
 Customer  
 Offer



San Toribio, 6 28031 MADRID  
 +34/913030426 com@frimetal.es

**DIRECT EXPANSION EVAPORATOR**

**FRB-175**

Model Capacity **2,8 kW**  
 Required Capacity **0,0 kW**

**Materials**

Tubes Copper  
 Fins Aluminium  
 Casing Aluminun and galvanized steel white coated RAL-9002

**Duties**

Fin Spacing **7 mm**  
 Air Flow **3095 m<sup>3</sup>/h**  
 Air Velocity **1,95 m/s**  
 Available Air Static Pressure **0 Pa**  
 Air throw **14 m**  
 Air Inlet Temperature **-20,0 °C**  
 Outlet Air Temperature **-22,2 °C**  
 Evaporating Temperature **-27,0 °C**  
 Temperature difference DT1 **7 K**  
 Refrigerant **R404A**

**Options**

Electrical defrost

**Coil**

Fin Spacing **7 mm**  
 Finned Length **1100 mm**  
 Surface **13,1 m<sup>2</sup>**  
 Internal Volume **4,3 dm<sup>3</sup>**

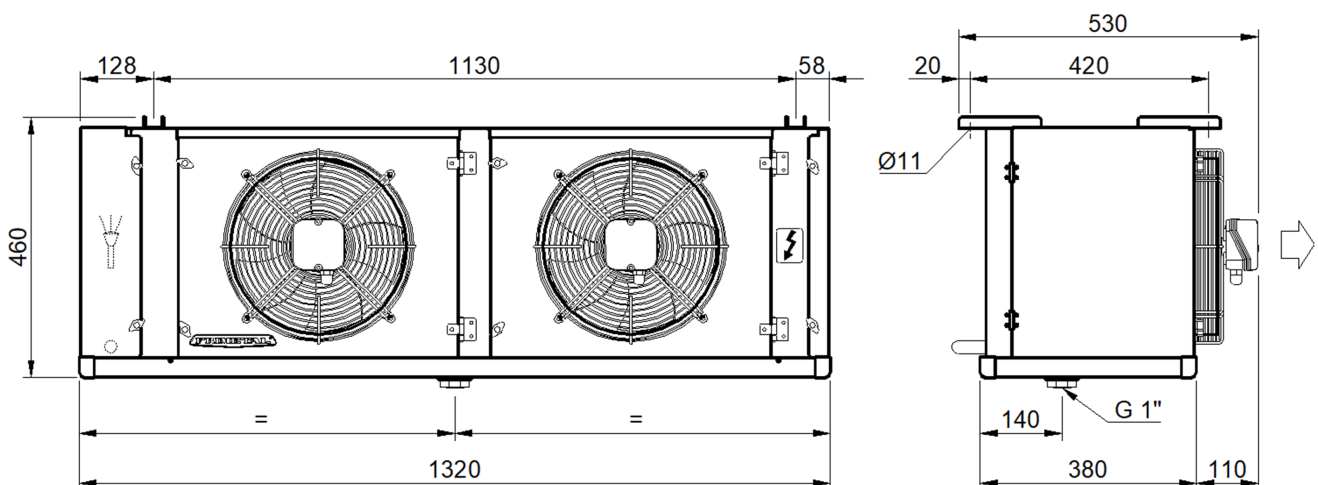
**Installer Information**

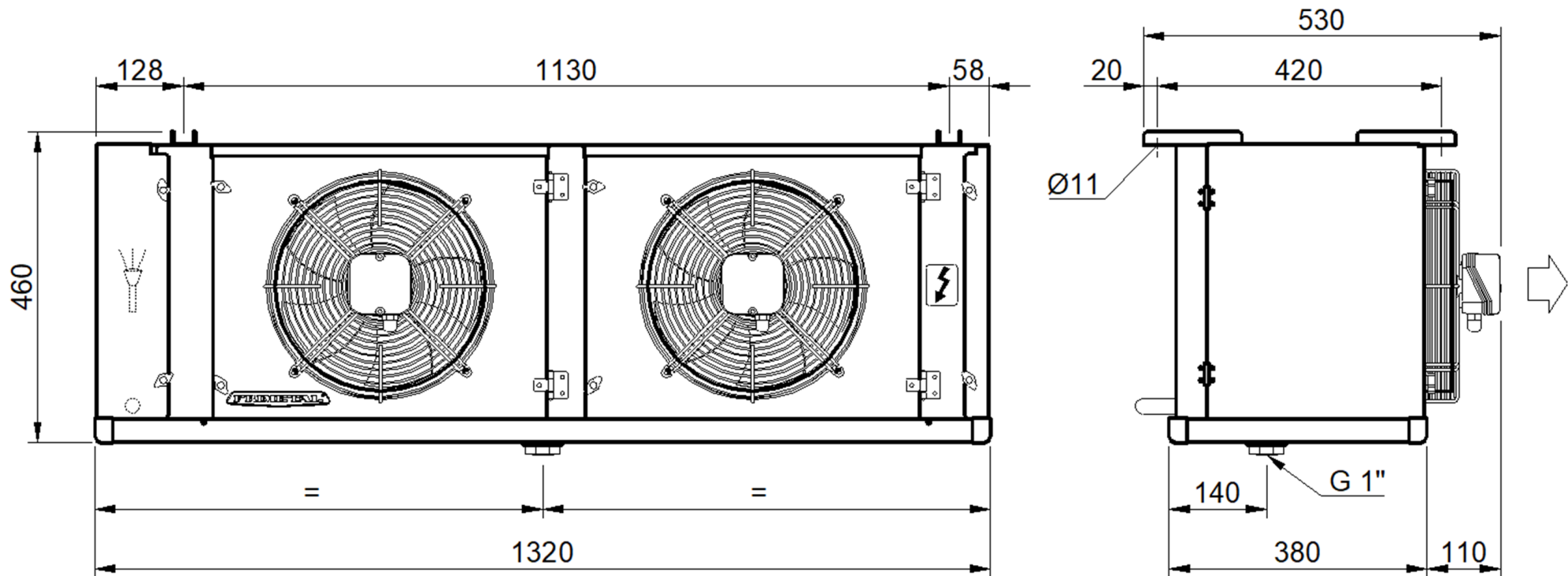
Net weight **38 kg**  
 Inlet liquid distributor **1 x 1/2"**  
 Outlet line **1 x 16 mm**  
 Electric defrost power **3300 W**

**AC Fan motors ErP compliant**

Power supply **1~230V/50Hz**  
 Fans Nr. **2**  
 Blade Diameter **300 mm**  
 Speed **1350 rpm**

Total absorbed power **160 W**  
 Total absorbed current **0,8 A**  
 Noise Power Level **67 dB(A)**  
 Noise Pressure Level **36 dB(A)**  
 Distance **10 m**





**DIRECT EXPANSION EVAPORATOR - FRB-175**



FRIMETAL, s.a.  
 San Toribio, 6  
 28031 MADRID  
 +34/913030426 - +34/917774761