

TECHNICAL SHEET

A1.5-7Y

Standard Reciprocating SERIES

LEGAL DISCLAIMER:

While Frascold has made every effort at the time of publication to ensure the accuracy of the information provided herein, product specifications and performances could be subject to change without notice. You can find the most updated information in our Product Selection Software FSS3 at the link:
https://www.frascold.it/en/download/software/fss_3_frascold_selection_software.



Technical data - A1.5-7Y

Nominal motor power	HP	2
Nominal motor power	kW	1,1
Displacement @ (1450 rpm - 50 Hz)	CFH	244
Displacement @ (1740 rpm - 60 Hz)	CFH	293
Power supply	V/ph/Hz/Connection	400/3/50/DOL-STAR
MRA	A	4,5
LRA	A	20,6
Maximum frequency	Hz	87
Minimum frequency	Hz	30
Net weight	lb	79
Oil charge	fl.oz	34
Maximum operating pressure HP	psi	435
Maximum static pressure LP	psi	297
Capacity step	%	100

Standard accessories - A1.5-7Y

Suction and discharge valves with soldering connection

Packing ensuring proper handling and protection

IP56 terminal box

Oil level sight glass(es)

Electronic protection module INT69

T00ECA01A

Rubber vibration dampers (4 pcs)

Nitrogen protective charge

Optional accessories - A1.5-7Y

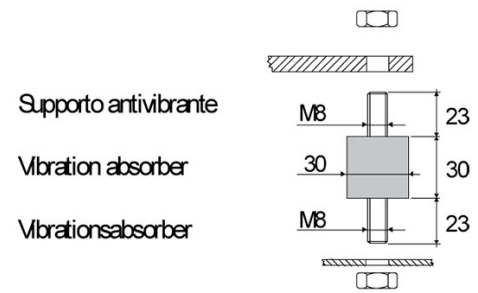
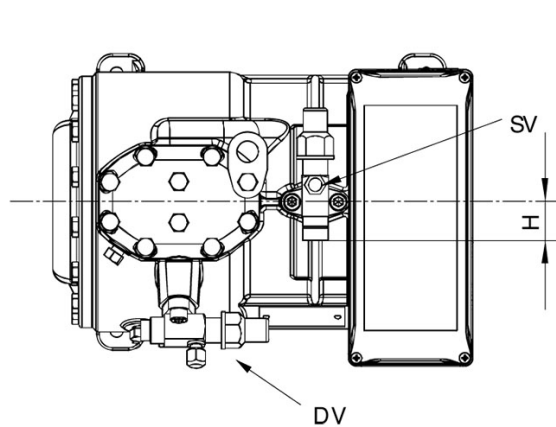
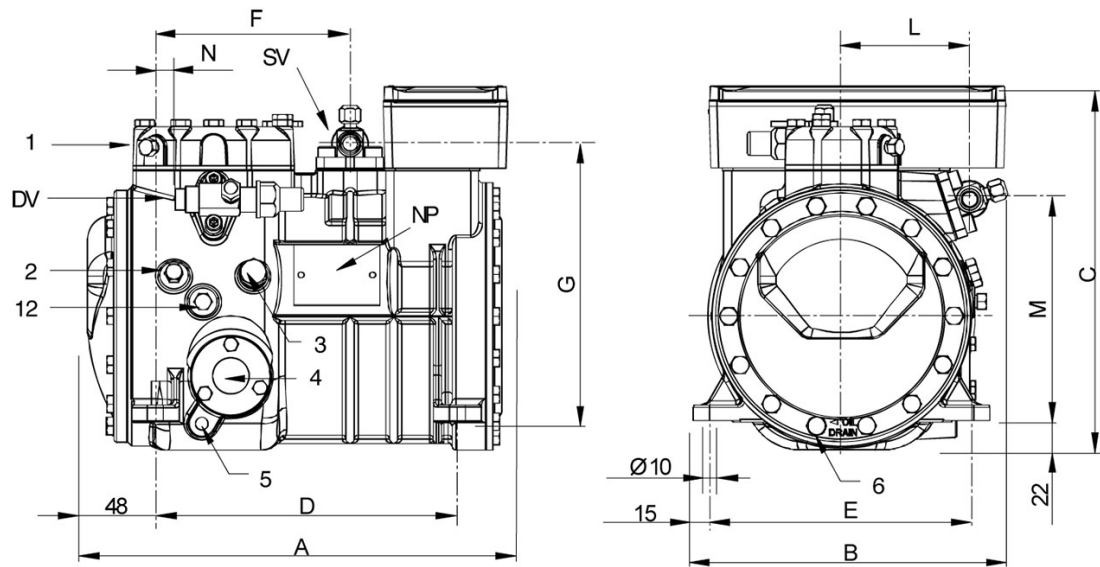
Special voltage for electrical motor

Crankcase heater

Head Cooling Fan

Oil Equalizing Fitting with valve

Special painting



Position and connections:

SV: Suction Valve	mm	16
SV: Suction Valve	inch	5/8"
DV: Discharge valve	mm	12,7
DV: Discharge valve	inch	1/2"
A: Length	inch	12,48
B: Width	inch	9,33
C: Height	inch	10,83
D: Base mounting	inch	9,21
E: Base mounting	inch	7,64
F: Suction Valve	inch	5,91
G: Suction Valve	inch	8,23
H: Suction Valve	inch	1,14
L: Discharge valve	inch	3,82
M: Discharge valve	inch	6,57
N: Discharge valve	inch	0,71
1: High pressure connection		1/8" NPT
2: Low pressure connection		1/8" NPT
3: Oil charge plug		1/4" GAS
4: Oil level sight glass		-
5: Crankcase heater seat		-
6: Oil drain plug		M8 x 22
12: Oil return plug		1/8" NPT
NP: Nameplate		-