



CERTIFICATE OF PLANT DESIGN REGISTRATION

Work Health & Safety Act 2011
Work Health & Safety Regulation 2017

ABN: 81 913 830 179
Phone: 13 10 50

Registration No: PV 6-243344/20 **Issue Date:** 28/04/2020

Registration Holder: DANFOSS A/S
Postal Address: 81 NORBORGVEJ
NORDBORG 6430
DENMARK

Plant Type: Pressure Vessel Alteration

Model Number/ Trade Name: Scroll Compressor Shell No.9

Technical Standard : EN 14276-1:2006 + A1:2011 "PRESSURE EQUIPMENT FOR REFRIGERATING SYSTEMS AND HEAT PUMPS"

Engineering Principles: No

Drawing Number Design:

Design Description:

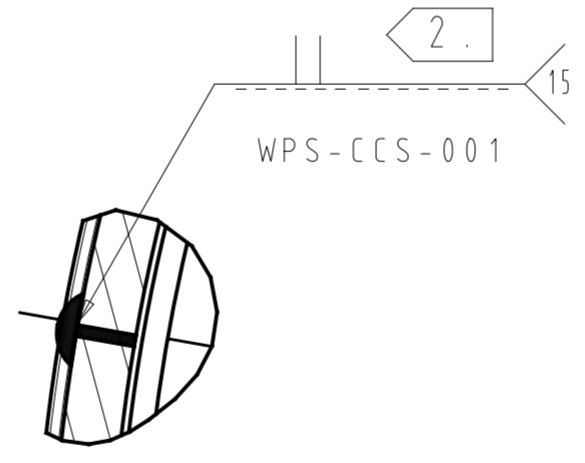
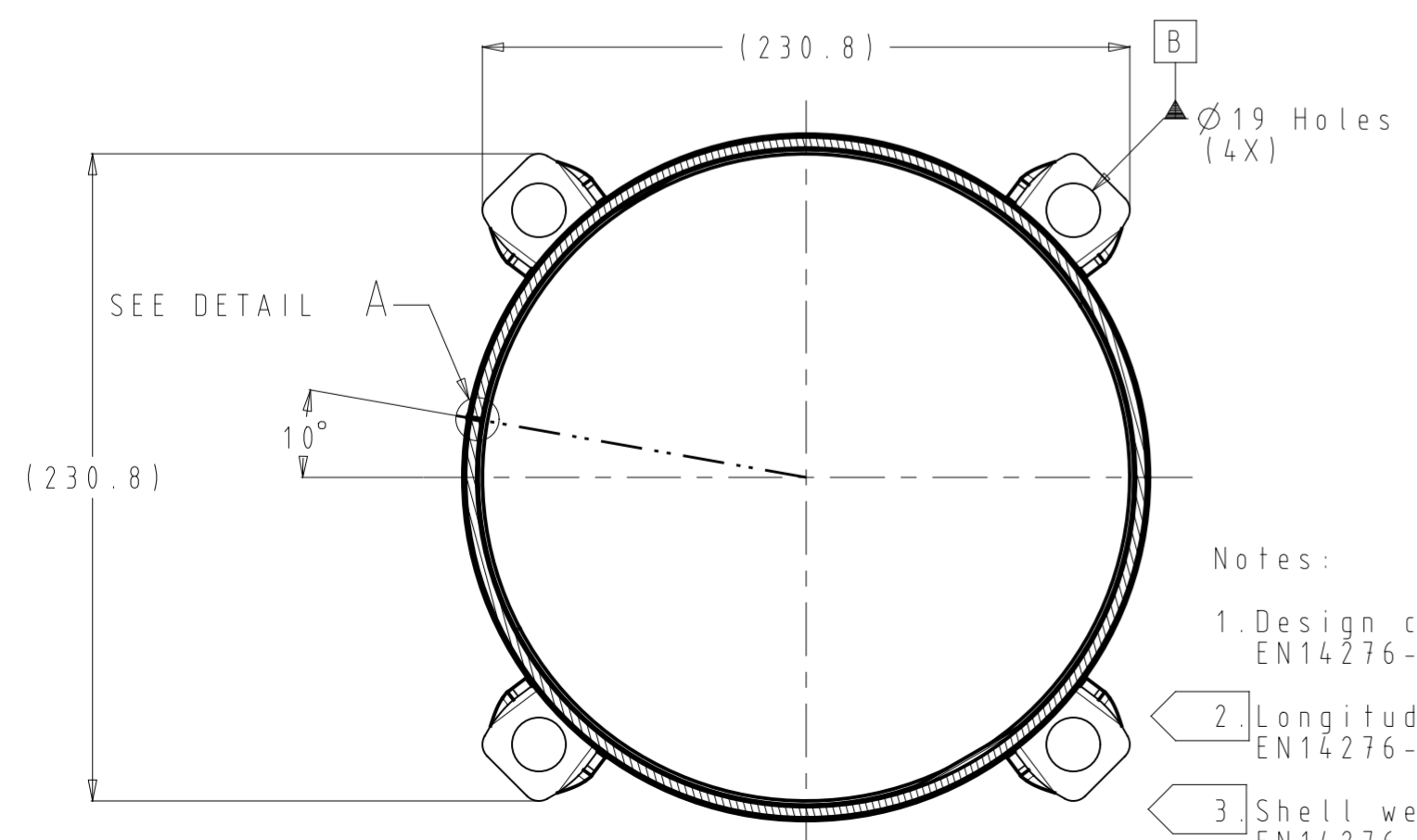
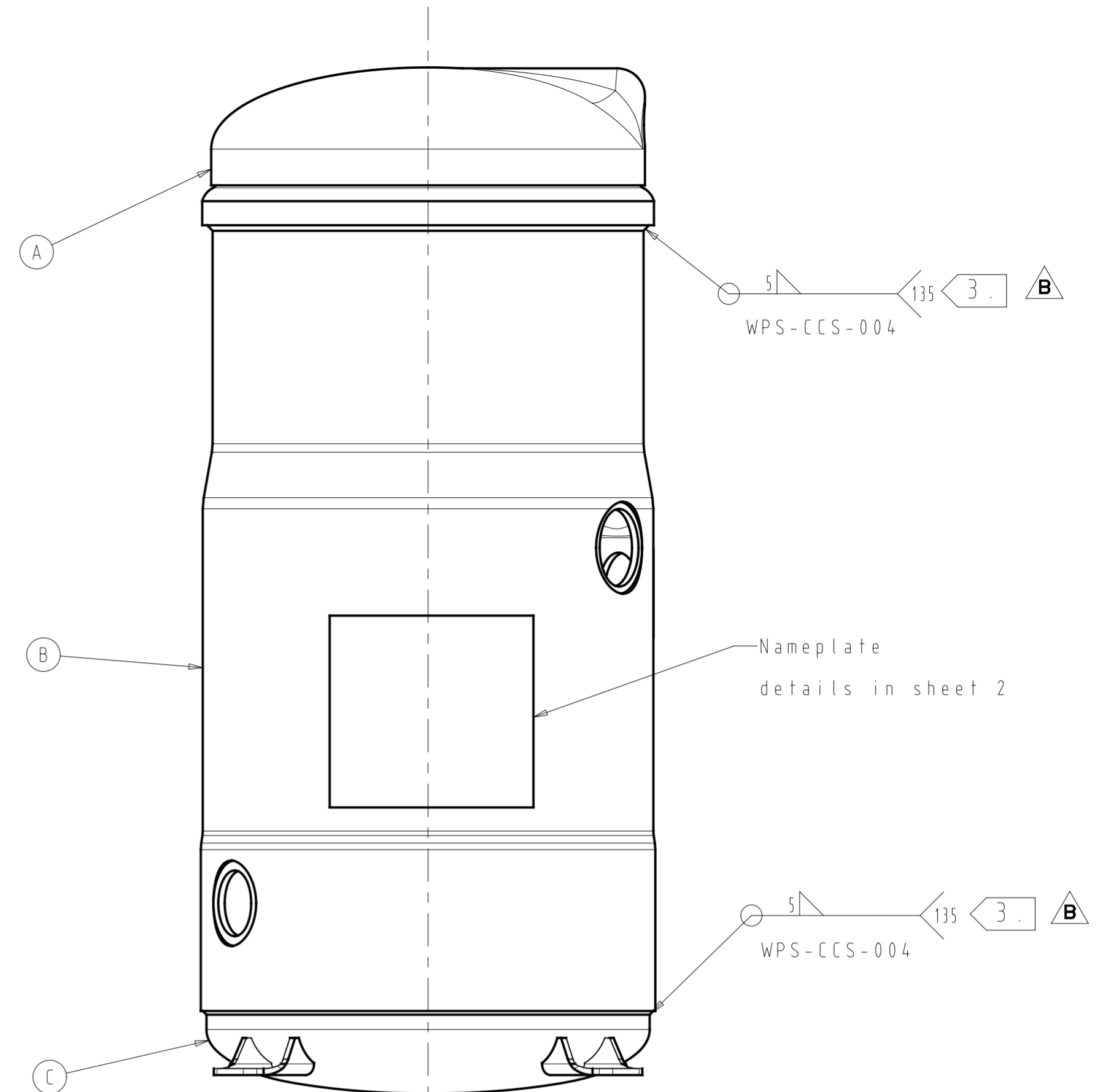
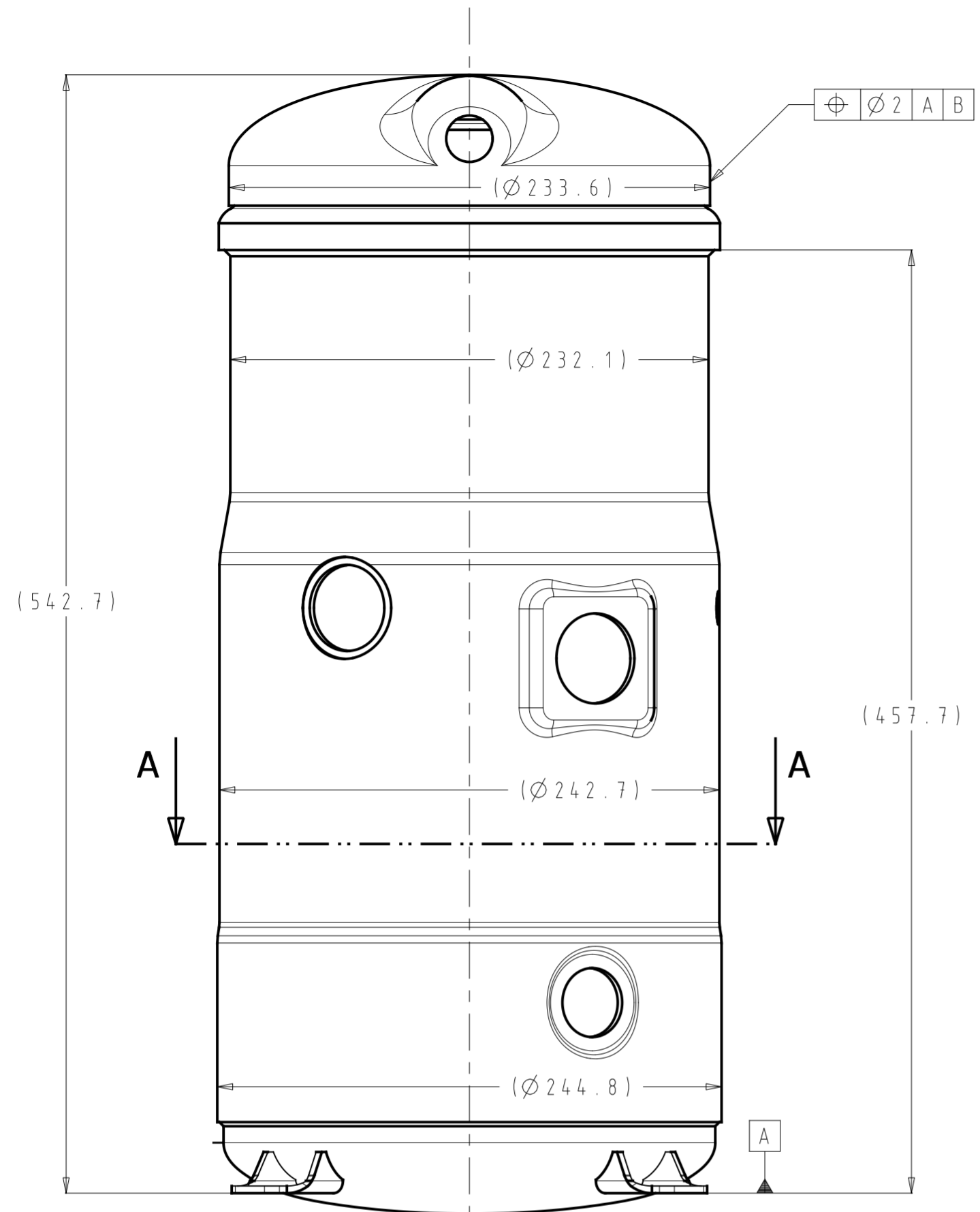
Hazard Level	C
Contents	Very Harmful
Chamber 1 Volume (l)	14.6
Chamber 1 Design Pressure (kPa)	0 TO 3330
Chamber 1 Temperature (°C)	-35 TO 55
Chamber 1 Fluid Type	Gas
Drawing Number & Revisions	9850280_798 REV B
Pressure Vessel	Other
Other Type	Hermetic Compressor Shell
Number of Chambers	1

Note: The design of an item of plant registered under the Occupational Health and Safety Regulation immediately before the repeal of that regulation is deemed to have been registered under part 5.3 of the WHS Regulation

Fee Paid: \$288.15

Receipt Date: 8/04/2020

Receipt No: 30-3178



DETAIL A
SCALE 2/1

Notes:

- Design code: EN13445 - part 1 to 5: 2017 B
EN14276-1: 2011, AS4343: 2005 Hazard level C
- Longitudinal continuous welding according to B
EN14276-1: 2011, EN5817:2014 and specification 8550091.
- Shell welding requirements according to B
EN14276-1: 2011, EN5817:2014 and specification 8550091.
- Compressor Model: B
SH175, WSH/SH184, PSH039, DSH184, DSF200

	Pressure (bars)	Volume(L)	TSMX (°C)	TSMI (°C)
Lower Pressure	33.3	13.9	55	-35
High Pressure	45	0.7	150	-35

Model	Part	description	Part number	Thickness MIN.	Material Grade	Material Standard
SH184	A	upper shell	5312509P01	3.9mm	SPHC	Q/BQB 302
	B	mid shell	5312507P01	3.9mm	SPHE	Q/BQB 302
	C	lower shell	5314233P01	3.5mm	SPHC	Q/BQB 302

General Tolerances Table	Drawing Status :			Production print	
	Surface Area (m2)		Estimated Mass (Kg)		Key characteristic Critical characteristic According to Danfoss standard 50220024 Material : - Designation Scroll Compressor Shell No.9
Roughness (µm)	Projection	Scale	Size		
	B	update	26-12-2019		1/5 A2
ISO 8015 ISO 1101	A	Creation	10-10-2016	Confidential: Property of Danfoss Commercial Compressors. Not to be handed over to copied or used by third party. Two or three dimensional reproduction of contents to be authorized by Danfoss CC.	
	Revision	ECR Number	Date		
	Designer	Su Junmei			
Approval: Kong Haili				Sheet 1 of 2 B.5 Dwg N° 9850280 798 B	



Nameplate Example

General Tolerances Table	Drawing Status :			Production print			Key characteristic Critical characteristic According to Danfoss standard 50220024
				Surface Area (m2)			
Roughness (µm)				Estimated Mass (Kg)			Designation Scroll Compressor Shell No.9
	B	update	26-12-2019	Projection	Scale 1/5	Size A2	
	A	Creation	10-10-2016				
	Revision	ECR Number	Date				
	Designer	Su Junmei					Sheet 2 of 2 B.5 Dwg N° 9850280 798 B
	Approval	Kong Haili					
• ISO 8015 • ISO 1101	Confidential: Property of Danfoss Commercial Compressors. Not to be handed over to copied or used by third party. Two or three dimensional reproduction of contents to be authorized by Danfoss CC.						