

## Installation Guide

# Heat Cartridge Kit ICAD 600 / ICAD 900 for ICM

027R9788

027R9788

### Technical data

**Danfoss recommends the installation of the Heat Cartridge Kit ICAD 600 / ICAD 900 on ICM motor operated valves in the following applications:**

When the media temperature through the ICM valve is lower than  $-30^{\circ}\text{C}$  ( $-22^{\circ}\text{F}$ ).

When the ICM valve is installed outdoor and the media temperature through the ICM valve is lower than  $-10^{\circ}\text{C}$  ( $14^{\circ}\text{F}$ ).

When the ICM is installed indoor, with relative humidity higher than 90%, and when the media temperature through the ICM valve is lower than  $-10^{\circ}\text{C}$  ( $14^{\circ}\text{F}$ ).

#### Voltage

24 V d.c / 24 V a.c

#### Load

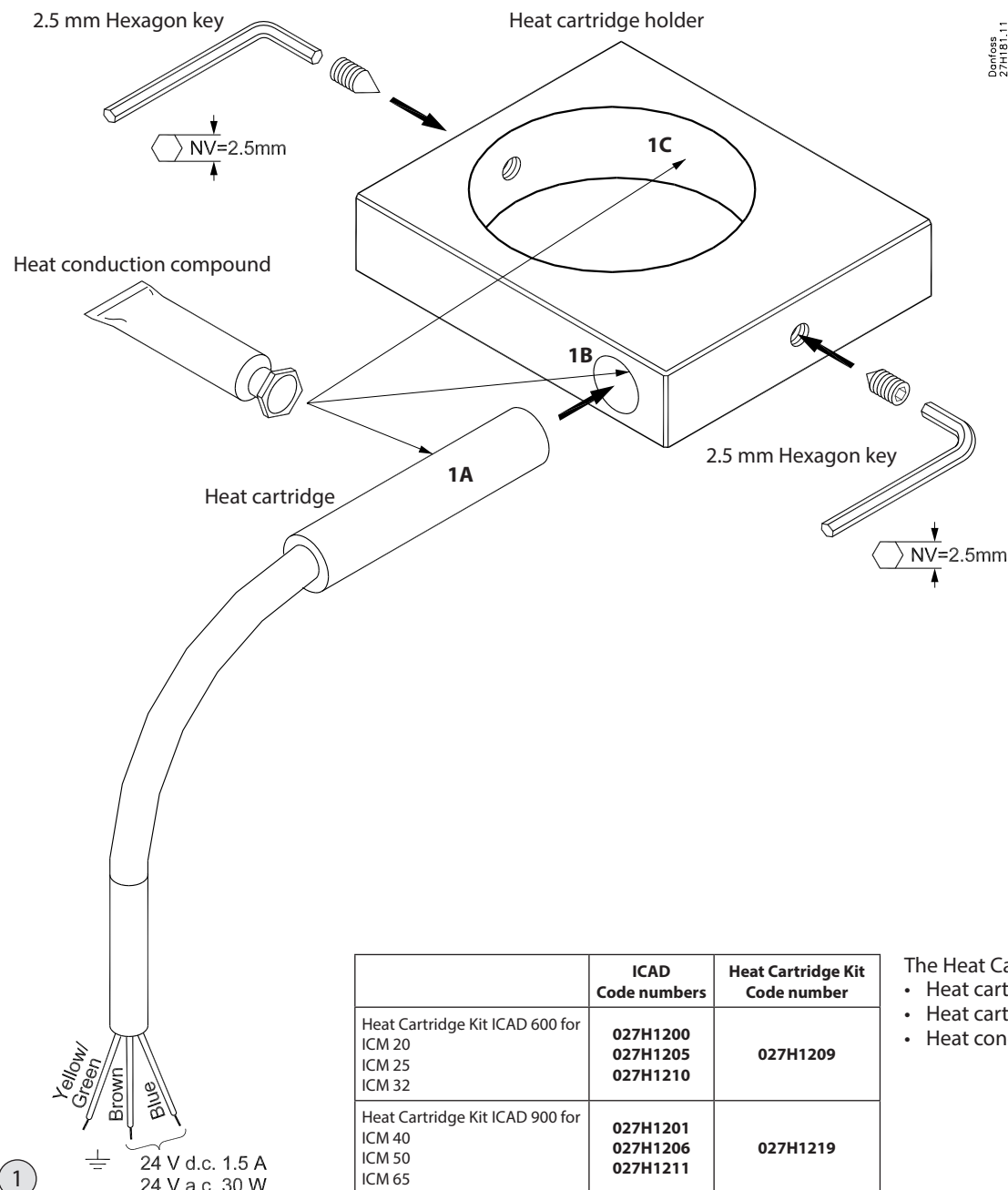
1.5 A / 30 W

#### Cable

The Heat Cartridge is delivered with 1 m (39 in.) cable.

$3 \times 0.5 \text{ mm}^2$  ( $3 \times \sim 20 \text{ AWG}$ ).

- Brown and Blue: 24 V d.c (polarity unimportant), 24 V a.c
- Yellow/Green: Ground/Earth



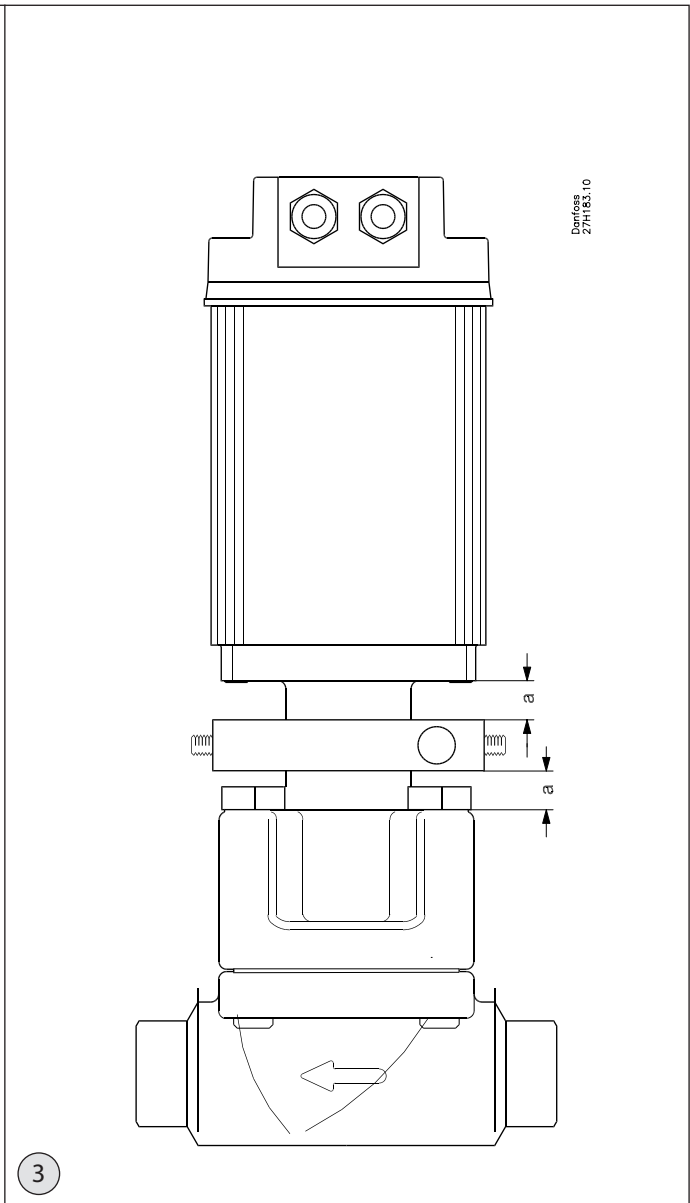
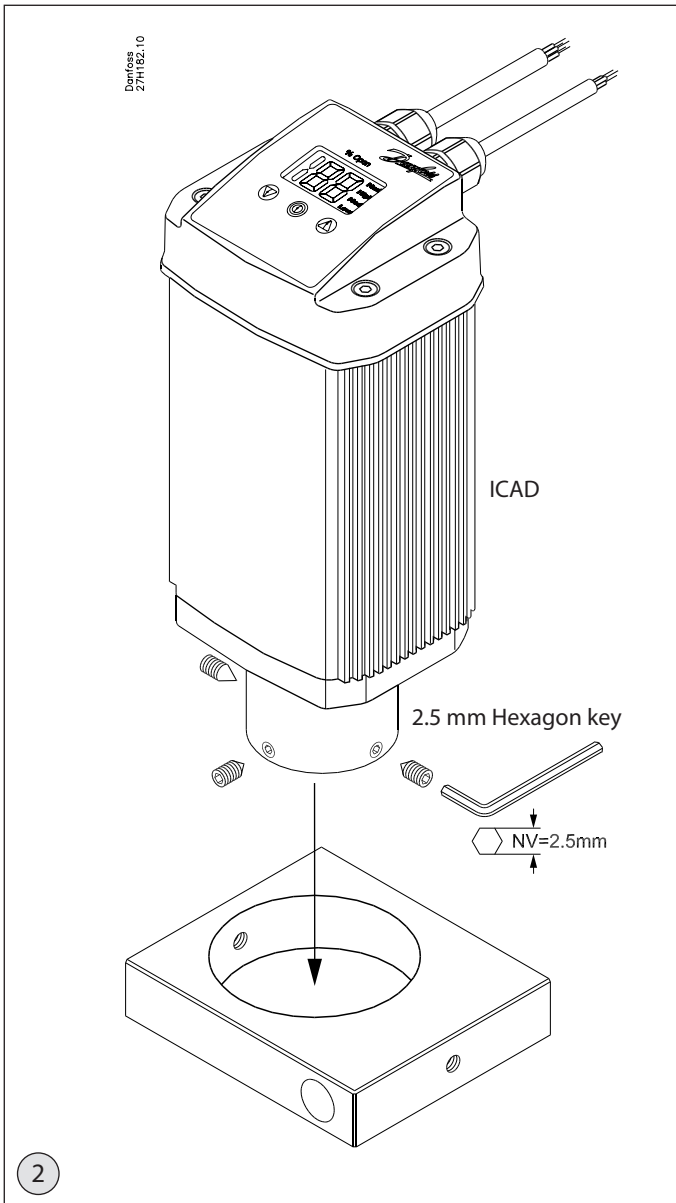
	ICAD Code numbers	Heat Cartridge Kit Code number
Heat Cartridge Kit ICAD 600 for ICM 20 ICM 25 ICM 32	<b>027H1200</b> <b>027H1205</b> <b>027H1210</b>	<b>027H1209</b>
Heat Cartridge Kit ICAD 900 for ICM 40 ICM 50 ICM 65	<b>027H1201</b> <b>027H1206</b> <b>027H1211</b>	<b>027H1219</b>

The Heat Cartridge Kit contains:

- Heat cartridge
- Heat cartridge holder
- Heat conduction compound

1

24 V d.c. 1.5 A  
24 V a.c. 30 W



## Installation

### Mechanical installation

General procedure for installing the Heat Cartridge Kit ICAD 600 / ICAD 900 on all sizes of ICM valves:

#### Please Note:

The Heat Cartridge Kit ICAD 600 / ICAD 900 must be installed before the ICAD 600/900 actuator is mounted on the ICM valve.

- Check that the three socket set screws on the ICAD actuator are counter clockwise fully unscrewed and removed with a 2.5 mm Hexagon key (see fig. 2).
- Check that the two socket set screws on the heat cartridge holder are counter clockwise fully unscrewed with a 2.5 mm Hexagon key (see fig. 1).
- Apply heat conductive compound to:
  - the heat cartridge (marked 1A in fig. 1)
  - into both ends of the holes for heat cartridge, on the heat cartridge holder (marked 1B in fig. 1)
  - on the inner surface of the heat cartridge holder (marked 1C in fig. 1)

- Insert the heat cartridge into the smallest hole of the heat cartridge holder (see fig. 1).
- Fasten the heat cartridge with the socket set screw using a 2.5 mm Hexagon key.
- Insert the ICAD into the hole of the heat cartridge holder. (fig. 2)
- Install the heat cartridge holder on the ICAD actuator. Position the heat cartridge holder in a center position as shown in fig. 3
- Fasten the heat cartridge holder using a 2.5 mm Hexagon key.
- Reinstall the three socket set screws on the ICAD actuator.
- Please consult the ICAD instruction (DKRCI.PI.HV0.A) regarding the mounting of ICAD actuators on ICM motor operated valves.

### Electrical installation

#### Please Note:

**Do not connect supply voltage before the heat cartridge is inserted into the hole of the the heat cartridge holder - then connect 24 V d.c/a.c**