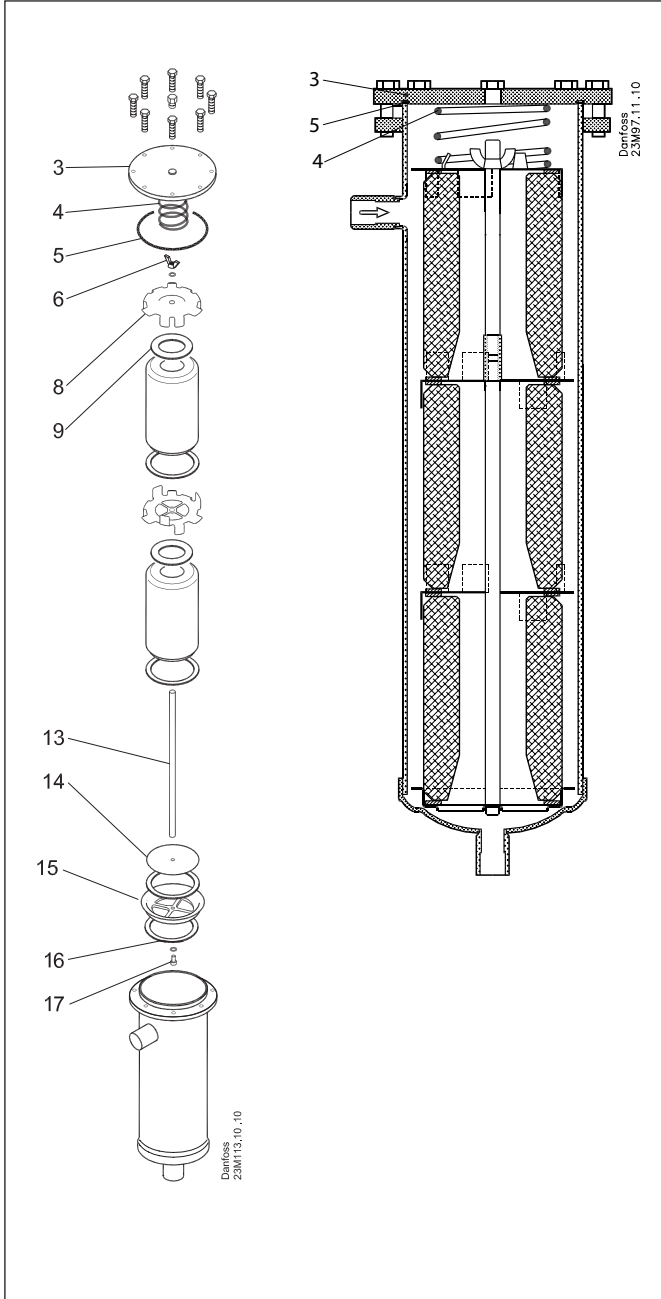
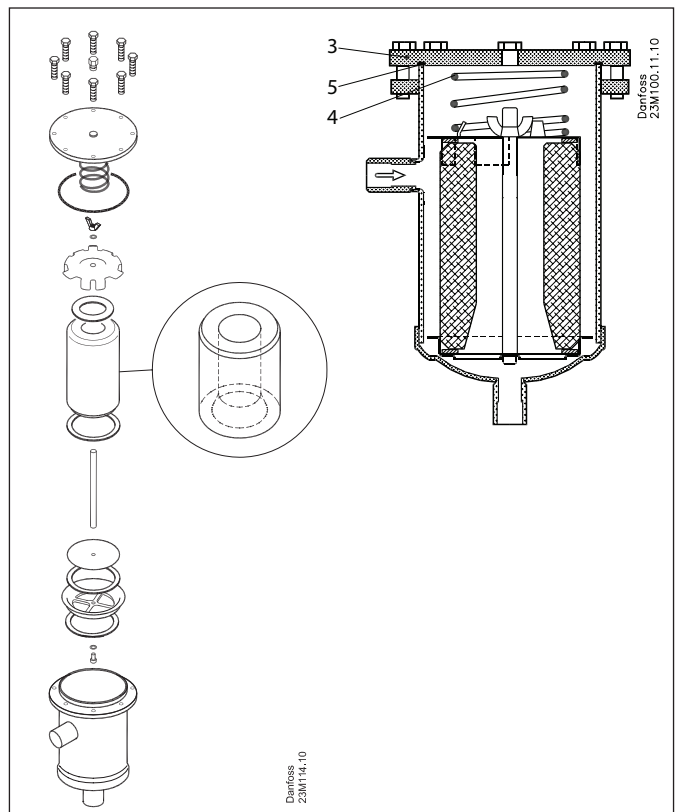


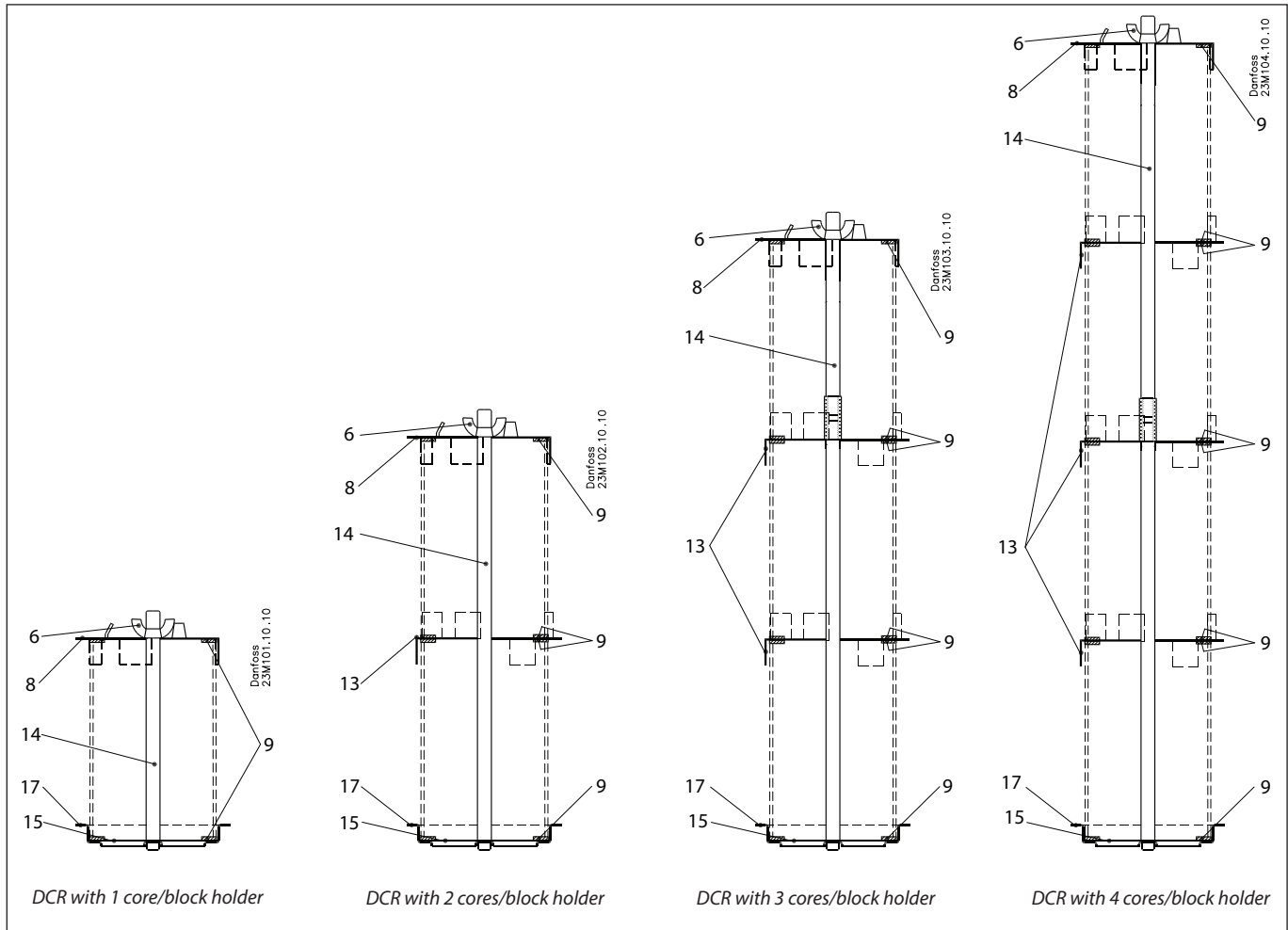
Spare parts and accessories

ELIMINATOR® filter drier with replaceable solid core Type DCR



Pos.	Description	Qty.	Code no.
Top cover gasket			
5	ø121.8 × ø113.6 × 0.8 mm Suitable for: Danfoss DCR, Alco ADKS, Sporlan C, Catch All, Henry V, Parker P, Carly BCY	20	023U0055
		10	023U2015
5	ø115.5 × ø107.5 × 1.6 mm Suitable for: Hansa GT, Castel 441	20	023U0056
5	ø123.5 × ø115.0 × 1.6 mm Suitable for: KMP K	20	023U0057
5	ø121.8 × ø113.6 × 1.5 mm Heavy Duty and NH ₃	20	023U0058
Spring			
4	ø55.0 × ø47.0 mm	8	023U2019
Felt gasket			
9	ø95.5 × ø45.5 × 2 mm Suitable for: Danfoss DCR	20	023U2018
16	ø95.5 × ø78 × 2 mm Suitable for: Danfoss DCR	20	023U2016
Top cover			
3	With plug 1/4" NPT	1	023Z9906
3	Without plug	1	023Z9907





Pos.	Description	1-core	2-core	3-core	4-core
1 - 4 core/block holder					
6	Wing nut	023Z9030	023Z9031	023Z9032	023Z9033
8	Top plate				
9	Felt gasket				
13	Core plate				
14	Distance rod				
15	Wire mesh				
17	Core holder				