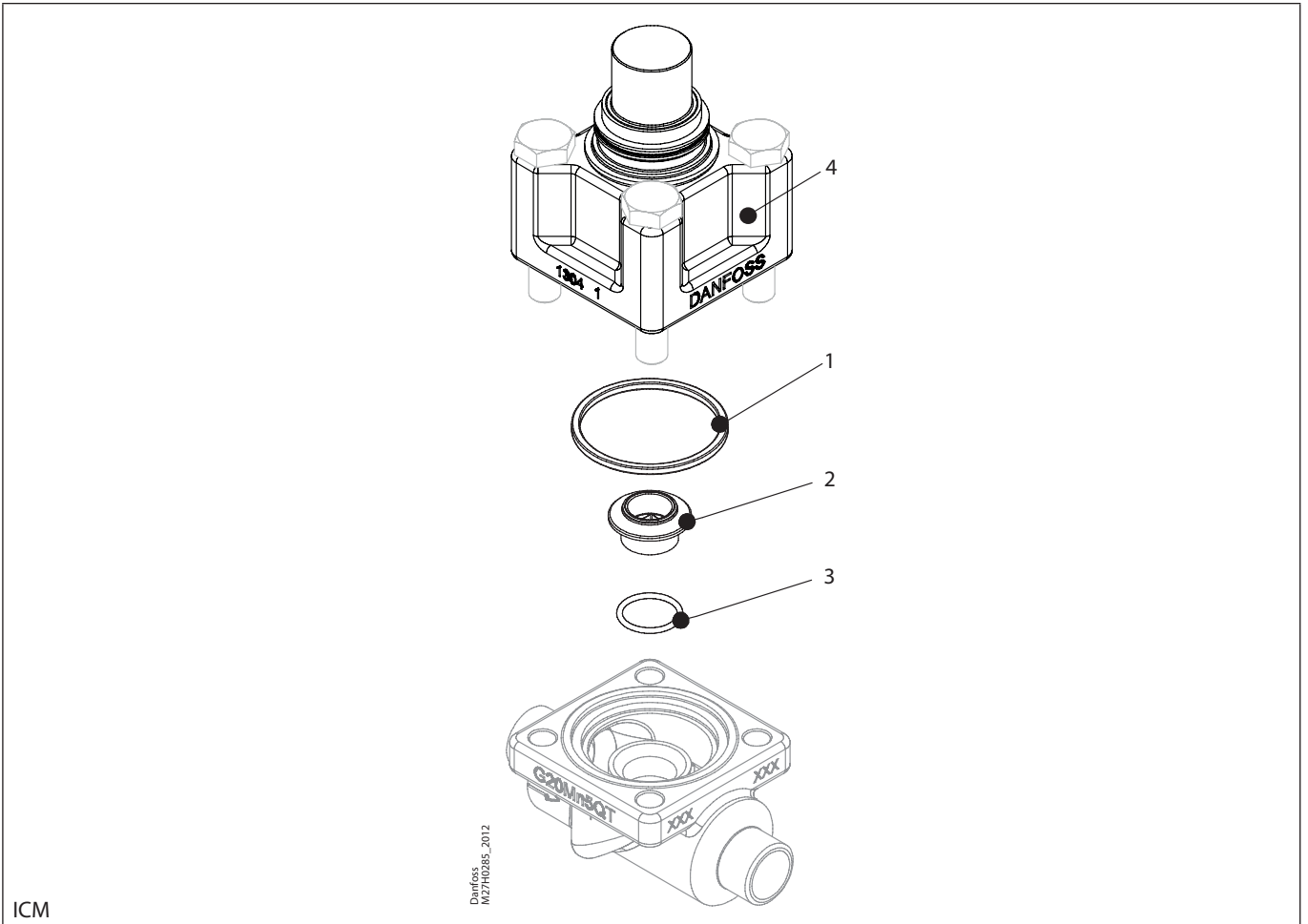


Installation guide – Spare parts and accessories

Overhaul kit | Code number 027H1180
 ICM, size 20A



ICM

Danfoss
M27H0285_2012

<p>1</p> <p>Ø49 mm Ø1.93"</p> <p>Total no. = 1</p>	<p>2</p> <p>Ø5.5 mm Ø0.217"</p> <p>Total no. = 1</p>	<p>3</p> <p>Ø17 mm Ø0.67"</p> <p>Total no. = 1</p>	<p>4</p> <p>Cone type A: Ø5.5 mm 5 mm Ø0.22" 0.2"</p> <p>Total no. = 1</p>
---	---	---	---