

Installation guide

Tube-in-tube heat exchanger

HE

015R9711

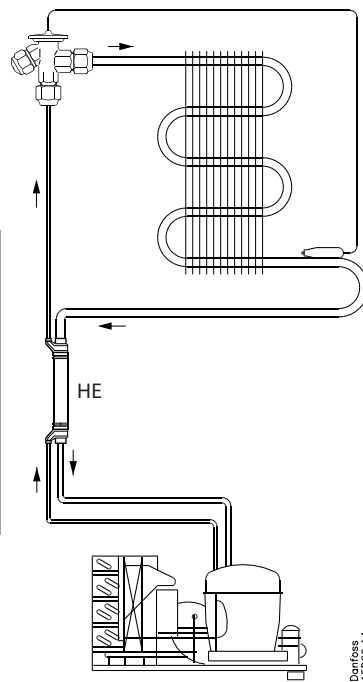
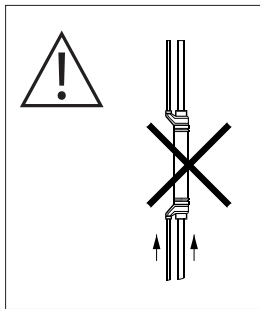
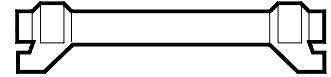
015R9711

Refrigerants:

R22, R1270*, R134a, R290*, R404A, R407A, R407C, R407F, R448A, R449A, R450A, R452A, R507A, R513A, R600*, R600a*

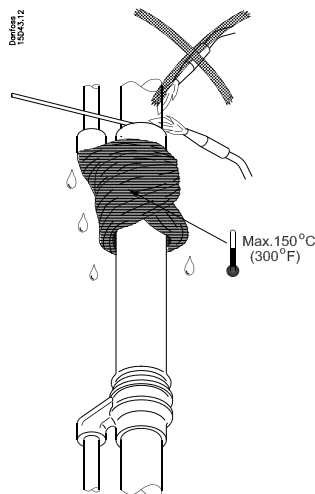
*) Applicable for HE 0.5, HE 1.0 and HE 1.5 only.

For complete list of approved refrigerants, visit www.products.danfoss.com and search for individual code numbers, where refrigerants are listed as part of technical data.



| Type | HE 0.5, HE 1.0, HE 1.5, HE 4.0 | HE 8.0 |
|-------------------------------|--------------------------------|-------------------|
| Max. working pressure PS/MWP | 28 bar/406 psig | 21.5 bar/312 psig |
| Max. test pressure (one time) | 40 bar/580 psig | 28 bar/406 psig |
| Temperature range | -60 – 120 °C (-76 – 248 °F) | |

Silver flo 55 + Easy flow flux



Max. 150 °C (300 °F)