

Date 13/5/2020

Customer

Offer



San Toribio, 6 28031 MADRID
+34/913030426 com@frimetal.es

DIRECT EXPANSION EVAPORATOR

FRB-580

Model Capacity **10,9 kW**
Required Capacity **0,0 kW**

Materials

Tubes Copper
Fins Aluminium
Casing Aluminun and galvanized steel white coated RAL-9002

Duties

Fin Spacing **7 mm**
Air Flow **10770 m³/h**
Air Velocity **2,54 m/s**
Available Air Static Pressure **0 Pa**
Air throw **15 m**
Air Inlet Temperature **-20,0 °C**
Outlet Air Temperature **-22,4 °C**
Evaporating Temperature **-27,0 °C**
Temperature difference DT1 **7 K**
Refrigerant **R404A**

Options

Electrical defrost

Coil

Fin Spacing **7 mm**
Finned Length **2100 mm**
Surface **46,8 m²**
Internal Volume **14,8 dm³**

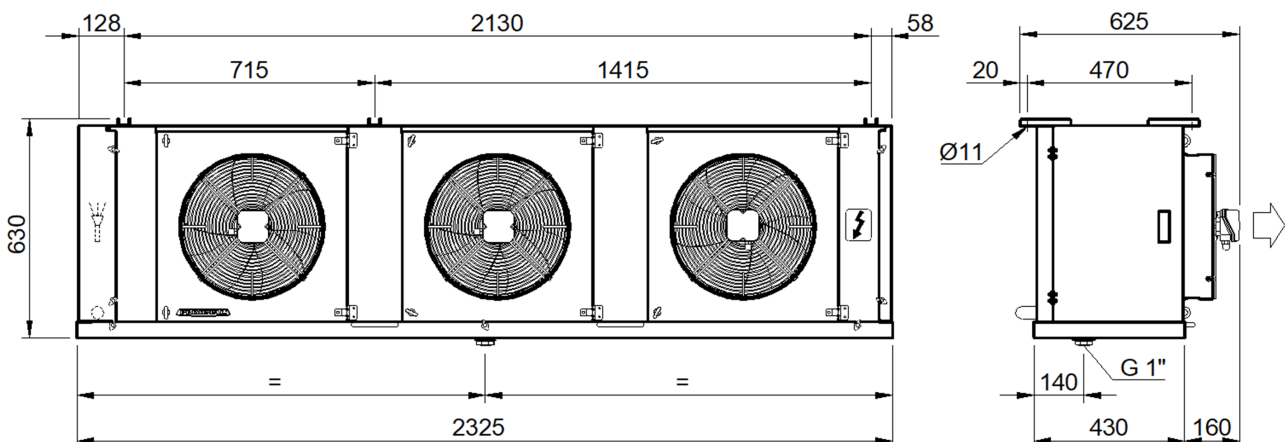
Installer Information

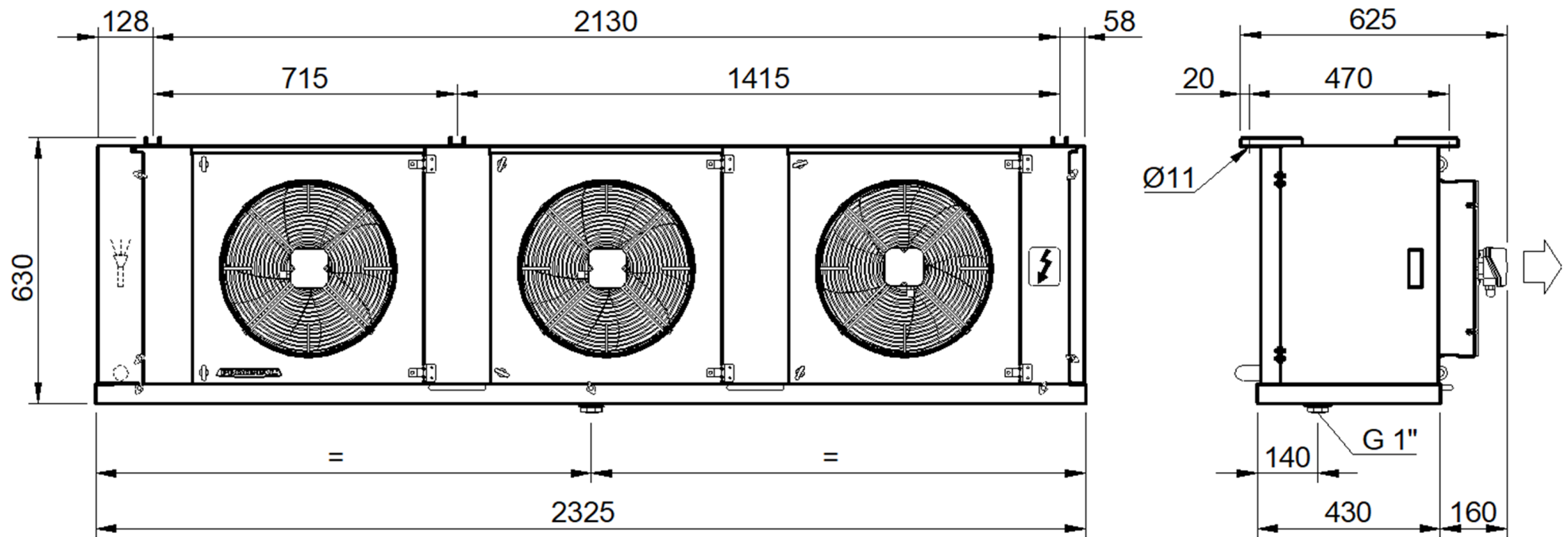
Net weight **102 kg**
Inlet liquid distributor **1 x 5/8"**
Outlet line **1 x 28 mm**
Electric defrost power **7500 W**

AC Fan motors ErP compliant

Power supply **1~230V/50Hz**
Fans Nr. **3**
Blade Diameter **400 mm**
Speed **1400 rpm**

Total absorbed power **480 W**
Total absorbed current **2,2 A**
Noise Power Level **78 dB(A)**
Noise Pressure Level **47 dB(A)**
Distance **10 m**





DIRECT EXPANSION EVAPORATOR - FRB-580



FRIMETAL, s.a.
 San Toribio, 6
 28031 MADRID
 +34/913030426 - +34/917774761