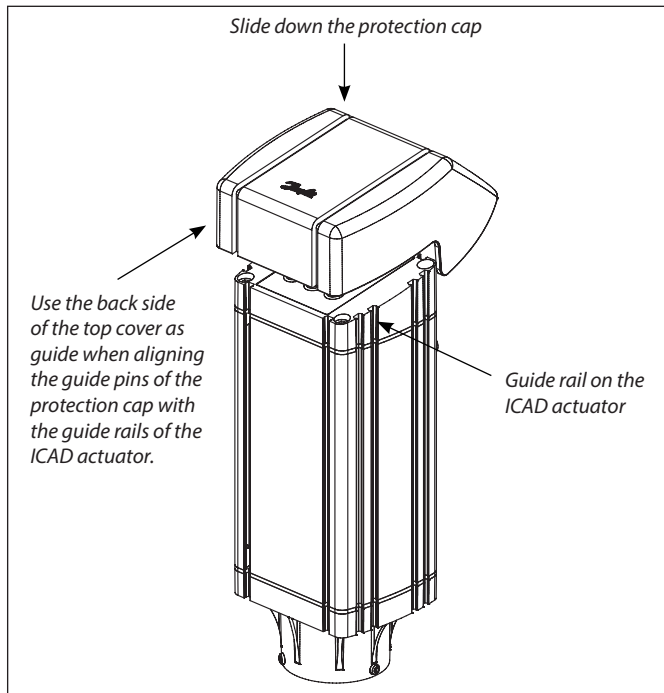


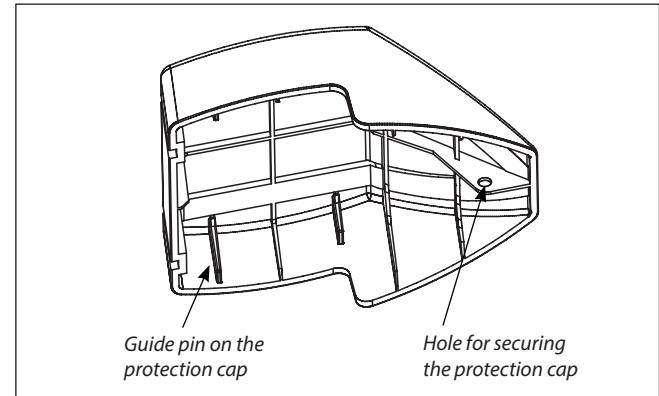
Installation Guide

Protection cap (027H0431) for ICAD actuator

027R9798



- Install the protection cap by sliding it down over the top of the ICAD actuator.
- Align the protection cap with the ICAD actuator. Make sure that the top surface of the protection cap is in the same angle as the top cover of the ICAD actuator.
- Push down the protection cap until you reach the mechanical stop.
- To secure the protection cap, tie it to the connector cables using the hole in the protection cap.



027R9798

Danfoss can accept no responsibility for possible errors in catalogues, brochures and other printed material. Danfoss reserves the right to alter its products without notice. This also applies to products already on order provided that such alterations can be made without subsequential changes being necessary in specifications already agreed.
All trademarks in this material are property of the respective companies. Danfoss and the Danfoss logotype are trademarks of Danfoss A/S. All rights reserved.