

Data Sheet

Display Accessory

Type **EKA 163 / EKA 164**

For AK-CC 2xx, 4xx, 5xx and AK-PC 7xx controllers



Application: the displays may be used in conjunction with some of the controllers in the AK- and EKC series, e.g. AK-CC, AK-PC, EKC 414, EKC 514.

EKA 163 has no operating buttons and can be mounted on the refrigeration appliance in such a way that the customer can see the temperature at the goods.

EKA 164 has operating buttons so that settings can be made in the controller's menu system.

There are 2 types: type A and type B. Type A has a stronger communication circuit that covers both RS 485 and TTL. Type A can be used instead of type B. Do not use type B when controller data requires type A.

Product specification

Technical data

Table 1: Technical data

Features	Description	
Supply voltage	12 V DC	
Display/operation	Readout accuracy in measuring range: 0.1 °C EKA 163, LED, 3-digits EKA 164, LED, -digits, operation buttons	
Electrical connection	EKA 163A EKA 164A	Via screw terminals
	EKA 163B EKA 164B	Via plug
Communication	A-Version	RS 485 ⁽¹⁾ and TTL
	B-Version	TTL
Environments	-10 – 55 °C, during operation	
	-40 – 70 °C, during transport	
	20 – 80% Rh, non condensing	
	No shock influence / no vibrations	
Enclosure	From back	IP 20
Front mounting	EKA 163	IP 65
	EKA 164	

⁽¹⁾ The installation of data communication must keep the requirements which are described in literature no. RC8AC.

Display and Dimensions

Table 2: Display

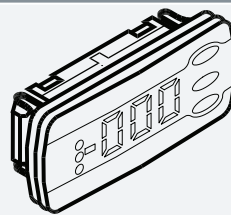
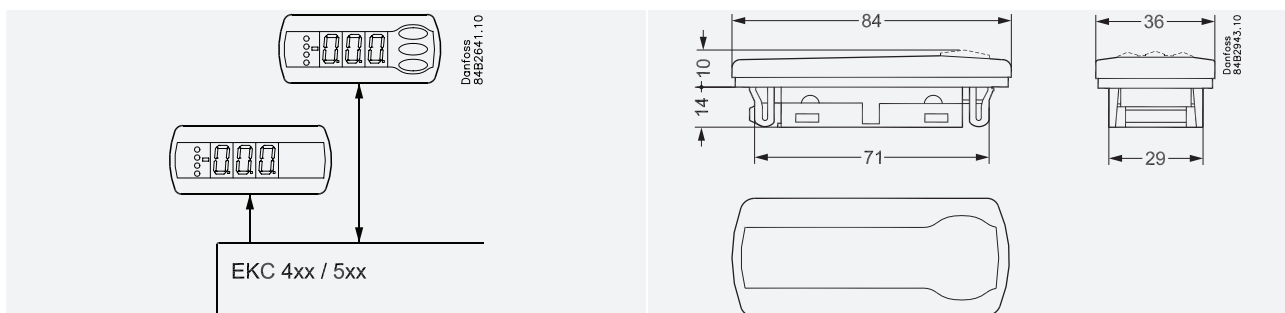
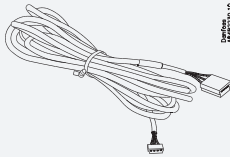
Display for show of measurements	Display for show of measurements and operating buttons for setting of the controllers functions.
 EKA 163	 EKA 164

Table 3: Dimensions



Ordering

Table 4: Ordering

Description		Type	Code no.
Display unit	Screw terminals	EKA 163A	084B8562
	With plug	EKA 163B	084B8574
Display unit with operation buttons	Screw terminals	EKA 164A	084B8563
	With plug	EKA 164B	084B8575
Cable for display unit (2 m w/each)	1		084B7298
	24		084B7179
Cable for display unit (6 m w/plug)	1		084B7299
	24		084B7097
Cable for display unit (3 m w/plug)	24		084B7099
Cable for display unit (9 m w/plug)	24		084B7630

Certificates, declarations, and approvals

The list contains all certificates, declarations, and approvals for this product type. Individual code number may have some or all of these approvals, and certain local approvals may not appear on the list.

Some approvals may change over time. You can check the most current status at danfoss.com or contact your local Danfoss representative if you have any questions.

Table 5: Certificates, declarations, and approvals

File name	Document type	Document topic	Approval authority
080R1228.1	Manufacturers Declaration	RoHS	Danfoss

Online support

Danfoss offers a wide range of support along with our products, including digital product information, software, mobile apps, and expert guidance. See the possibilities below.

The Danfoss Product Store



The Danfoss Product Store is your one-stop shop for everything product related—no matter where you are in the world or what area of the cooling industry you work in. Get quick access to essential information like product specs, code numbers, technical documentation, certifications, accessories, and more.

Start browsing at store.danfoss.com.

Find technical documentation



Find the technical documentation you need to get your project up and running. Get direct access to our official collection of data sheets, certificates and declarations, manuals and guides, 3D models and drawings, case stories, brochures, and much more.

Start searching now at www.danfoss.com/en/service-and-support/documentation.

Danfoss Learning



Danfoss Learning is a free online learning platform. It features courses and materials specifically designed to help engineers, installers, service technicians, and wholesalers better understand the products, applications, industry topics, and trends that will help you do your job better.

Create your Danfoss Learning account for free at www.danfoss.com/en/service-and-support/learning.

Get local information and support



Local Danfoss websites are the main sources for help and information about our company and products. Find product availability, get the latest regional news, or connect with a nearby expert—all in your own language.

Find your local Danfoss website here: www.danfoss.com/en/choose-region.