

Installation guide

# Thermostatic expansion valve

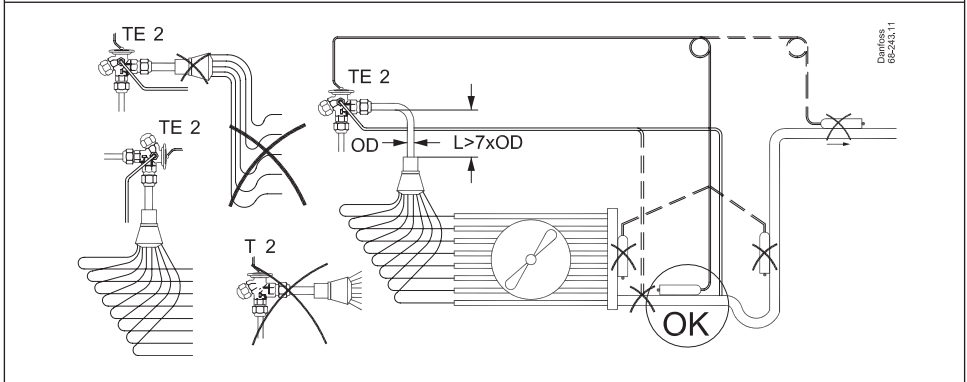
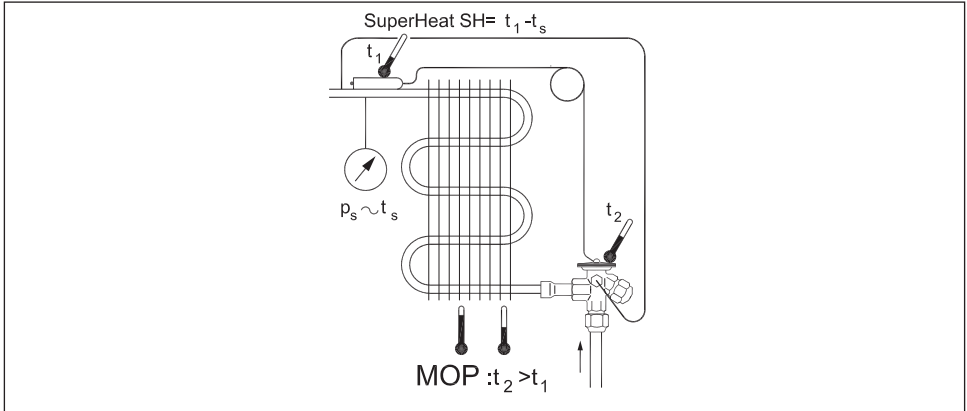
## Type T 2 / TE 2

068R9536



068R9536





SH= SuperHeat

N,B	$N_{MOP}, B_{MOP}$ NM,NL
4°C (7°F)	4°C (7°F)

Danfoss 68215.14

SH= SuperHeat

1

Stop

2

N,B	$N_{MOP}, B_{MOP}$ NM,NL
~ 2-3 x 360°	~ 1,5 - 2 x 360°

SuperHeat SH= $t_1 - t_s$

$t_1$

$p_s \sim t_s$

360°

360°

$\Delta SH / 360^\circ$

N, $N_{MOP}$ NM, NL	~ 4°C (7°F)
B, $B_{MOP}$	~ 8°C (14°F)

Danfoss 682203.14

**Temperature ranges:**

N = -40 - 10 °C / -40 - 60 °F

NM = -40 - -5 °C / -40 - 25 °F

NL = -40 - -15 °C / -40 - 5 °F

B = -60 - -25 °C / -75 - -15 °F