

ANL 021H -203H

Reversible air/water heat pump

Cooling capacity 5,7 ÷ 49,1 kW – Heating capacity 6,2 ÷ 43,3 kW



- It is possible to produce hot domestic water
- Compact dimensions
- Quick & easy installation



DESCRIPTION

Reversible air/water heat pump for air conditioning systems with cold water production for cooling rooms and hot water for heating and/or domestic hot water services, suitable for connection with small or medium users. Equipped with scroll compressors, axial fans, external coil with aluminium louvers, plate heat exchanger on the side. The base, the structure and the panels are made of galvanized steel treated with polyester paint RAL 9003.

VERSIONS

- ° Standard
- A With storage tank and pump
- N With increased pump
- P With pump
- Q With storage tank and increased pump

FEATURES

Operating field

Full load up to 46 °C ambient air temperature with the possibility to produce chilled water down to -10° C in cooling mode (for more details refer to the technical documentation).

Version with Integrated hydronic kit

Integrated hydronic kit containing the main hydraulic components; available with various configurations to obtain a solution that allows you to facilitate installation.

Inverter fans

Inverter fans from size 031 to 091 for all sizes.

- The DCPX accessory is not required for these sizes.

Double mechanical thermostat

On the configurator it is also possible to select the option "W" double mechanical thermostatic valve for low temperatures.

Using two electronic valves in parallel guarantees a precise and efficient control in a wide operating range. This allows them to produce chilled water from -10 °C to +18 °C.

- The option is available only for sizes starting from 051 to 091 in the °-A-Q versions and from size 103 to 203 in all versions.

MODUCONTROL CONTROL

The command panel of the unit allows the rapid setting of the working parameters of the machine, and their visualisation. The display consists of 4 figures and various LEDs for indicating the type of operational mode, the visualisation of the parameters set and of any alarms triggered. The card stores all the default settings and any modifications.

ACCESSORIES

AERBAC-MODU: Ethernet communication Interface for protocols Bacnet/IP, Modbus TCP/IP, SNMP. The accessory is supplied with the unit and must be installed on an external electrical panel.

AERLINK: Wifi Gateway with an RS485 serial port that can be installed on all machines or on all controllers having an RS485 serial port themselves. The module is capable of simultaneously activating the AP WIFI (Access point) and WIFI Station functions, the latter making it possible to connect to the home or business LAN both with VMF-E5 and E6. To facilitate certain management and control operations of the unit, the AERAPP application is available both for Android and iOS systems.

MODU-485BL: RS-485 interface for supervision systems with MODBUS protocol.

MULTICONTROL: Allows the simultaneous control of several units (up to 4), installed in the same hydraulic system.

PR3: Simplified remote panel. This makes it possible to carry out the unit's basic controls with the signalling of alarms. Can be made remote with shielded cable up to 150 m.

SDHW: Domestic hot water sensor. To be used with a storage tank for the control of water temperature produced.

SGD: Electronic expansion that enables connecting to the photovoltaic system and heat pumps to accumulate heat in the DHW tank or in the heating system during the photovoltaic production phase and release it at times when heating demand is highest.

SPLW: System water temperature sensor. In most cases the loose supplied sensors for each chiller/heat pump are sufficient. In cases of a common flow/return header this sensor can be used to control the common system supply water temperature for the chillers connected to the header, or it can be used for temperature monitoring

VMF-CRP: Accessory module for controlling boilers, heat recover units and pumps (if associated with VMF-E5 / RCC panels); if associated with the VMF-E6 panel, the VMF-CRP modules will be able to manage heat recovery units, RAS, boiler, sanitary management, I/O control, pumps.

DCPX: Device for condensation temperature control, with continuous speed modulation of fans by using a pressure transducer.

VT: Anti-vibration supports.

BDX: Condensate drip.

FACTORY FITTED ACCESSORIES

DRE: Electronic device for peak current reduction.

RA: Anti-freeze electric heater for the buffer tank.

KR: Anti-freeze electric heater for the plate heat exchanger.

KRB: Electric anti-freeze resistance kit for base.

COMPATIBILITY WITH VMF SYSTEM

For more information about VMF system, refer to the dedicated documentation.

ACCESSORIES COMPATIBILITY

Model	Ver	021	026	031	041	051	071	081	091	103	153	203
AERBAC-MODU	°A,P	*	*	*	*	*	*	*	*	*	*	*
	N									*	*	*
	Q					*	*	*	*	*	*	*
AERLINK	°A,P	*	*	*	*	*	*	*	*	*	*	*
	N									*	*	*
	Q					*	*	*	*	*	*	*
MODU-485BL	°A,P	*	*	*	*	*	*	*	*	*	*	*
	N									*	*	*
	Q					*	*	*	*	*	*	*
MULTICONTROL	°A,P	*	*	*	*	*	*	*	*	*	*	*
	N									*	*	*
	Q					*	*	*	*	*	*	*
PR3	°A,P	*	*	*	*	*	*	*	*	*	*	*
	N									*	*	*
	Q					*	*	*	*	*	*	*
SDHW (1)	°A,P	*	*	*	*	*	*	*	*	*	*	*
	N									*	*	*
	Q					*	*	*	*	*	*	*
SGD	°A,P	*	*	*	*	*	*	*	*	*	*	*
	N									*	*	*
	Q					*	*	*	*	*	*	*
SPLW (2)	°A,P	*	*	*	*	*	*	*	*	*	*	*
	N									*	*	*
	Q					*	*	*	*	*	*	*
VMF-CRP	°A,P	*	*	*	*	*	*	*	*	*	*	*
	N									*	*	*
	Q					*	*	*	*	*	*	*

(1) Probe required for MULTICONTROL for managing the domestic hot water system.

(2) Probe required for MULTICONTROL to manage the secondary circuit system.

DCPX: Condensation control temperature

Ver	021	026	031	041	051	071	081	091	103	153	203
°A,P	DCPX51	DCPX51	-	-	-	-	-	-	DCPX53	DCPX53	DCPX53
Q	-	-	-	-	-	-	-	-	DCPX53	DCPX53	DCPX53

The accessory cannot be fitted on the configurations indicated with -

Antivibration

Ver	021	026	031	041	051	071	081	091	103	153	203
°P	VT9	VT9	VT9	VT9	VT9	VT9	VT9	VT9	VT15	VT15	VT15
A	VT9	VT9	VT9	VT9	VT15	VT15	VT15	VT15	VT15	VT15	VT15
N	-	-	-	-	-	-	-	-	VT15	VT15	VT15
Q	-	-	-	-	VT15	VT15	VT15	VT15	VT15	VT15	VT15

Condensate drip

Ver	021	026	031	041	051	071	081	091	103	153	203
°P	BDX5	BDX5	BDX5	BDX5	BDX5	BDX5	BDX5	BDX5	-	-	-
A	BDX5	BDX5	BDX5	BDX5	BDX6	BDX6	BDX6	BDX6	-	-	-
Q	-	-	-	-	BDX6	BDX6	BDX6	BDX6	-	-	-

The accessory cannot be fitted on the configurations indicated with -

DRE: Device for peak current reduction

Ver	021	026	031	041	051	071	081	091	103	153	203
°A,P,Q	-	-	-	-	DRES (1)	DRES (1)	DRES (1)	DRES (1)	DRES x 2 (1)	DRES x 2 (1)	DRES x 2 (1)
N	-	-	-	-	-	-	-	-	DRES x 2 (1)	DRES x 2 (1)	DRES x 2 (1)

(1) Only for supplies of 400V 3N ~ 50Hz and 400V 3 ~ 50Hz. x 2 or x 3 (if present) indicates the quantity to be ordered.

A grey background indicates the accessory must be assembled in the factory

KR: electric heater for the heat exchanger

Ver	021	026	031	041	051	071	081	091	103	153	203
°P	KR2	KR2	KR2	KR2	KR2	KR2	KR2	KR2	KR100	KR100	KR100
A	-	-	-	-	KR2	KR2	KR2	KR2	KR100	KR100	KR100
N,Q	-	-	-	-	-	-	-	-	KR100	KR100	KR100

The accessory cannot be fitted on the configurations indicated with -
A grey background indicates the accessory must be assembled in the factory

RA: Anti-freeze electric heater for the buffer tank

Ver	021	026	031	041	051	071	081	091	103	153	203
A	RA	RA	RA	RA	RA	RA	RA	RA	RA100	RA100	RA100
Q	-	-	-	-	RA	RA	RA	RA	RA100	RA100	RA100

A grey background indicates the accessory must be assembled in the factory

KRB: Electric heater for the base

Ver	021	026	031	041	051	071	081	091	103	153	203
°A,N,P,Q	-	-	-	-	-	-	-	-	KRB3 (1)	KRB3 (1)	KRB3 (1)

(1) Incompatible with the condensate collection basin accessory with integrated resistance.
The accessory cannot be fitted on the configurations indicated with -
A grey background indicates the accessory must be assembled in the factory

CONFIGURATOR

Field	Description
1,2,3	ANL
4,5,6	Size 021, 026, 031, 041, 051, 071, 081, 091, 103, 153, 203
7	Model
H	Heat pump
8	Version
°	Standard
A	With storage tank and pump
N	With increased pump (1)
P	With pump
Q	With storage tank and increased pump (2)
9	Heat recovery
°	Without heat recovery
D	With desuperheater (3)
10	Coils
°	Copper-aluminium
R	Copper pipes-copper fins
S	Copper pipes-Tinned copper fins
V	Copper pipes-Coated aluminium fins
11	Operating field
°	Standard mechanic thermostatic valve
W	Double mechanical thermostat for low temperature (4)
12	Evaporator
°	Standard
13	Power supply
°	400V 3N ~ 50Hz (5)
M	230V ~ 50Hz (6)

(1) Only for ANL 103 ÷ 203 sizes

(2) Only for ANL 051 ÷ 203 sizes

(3) The desuperheater must be intercepted during heating mode. If the unit is also fitted with one of the low temperature valves in addition to the desuperheater, during cold operation, it is necessary to always guarantee a water temperature of 35°C at the inlet of the heat exchanger. It is only available in sizes from 051 to 091 in the version with storage tank "A", and from size 103 to 203 in all versions.

(4) Water produced from -10 °C to 18 °C; Option available only for sizes starting from 051 to 091 in the °A-Q versions and from 103 to 203 in all versions

(5) Only for ANL 021 ÷ 203 sizes

(6) Only for ANL 021 ÷ 041 sizes

PERFORMANCE SPECIFICATIONS 12 °C / 7 °C - 40 °C / 45 °C

ANL - (°) / 12/7 °C - 40/45 °C (400V 3N ~ 50Hz / 230V ~ 50Hz)

Size		021	026	031	041	051	071	081	091	103	153	203
Power supply: °												
Cooling performance 12 °C / 7 °C (1)												
Cooling capacity	kW	5,7	6,2	7,5	9,6	13,3	16,3	20,0	21,5	25,5	31,7	40,2
Input power	kW	1,9	2,0	2,5	3,3	4,4	5,9	6,7	6,7	9,2	11,0	14,1
Cooling total input current	A	3,7	4,2	4,7	6,2	8,7	9,7	12,0	13,0	16,0	19,0	25,0
EER	W/W	3,02	3,02	2,98	2,90	3,06	2,77	3,01	3,21	2,79	2,87	2,85
Water flow rate system side	l/h	979	1065	1289	1649	2294	2807	3452	3713	4398	5467	6929
Pressure drop system side	kPa	30	31	32	30	34	35	44	60	55	57	62
Heating performance 40 °C / 45 °C (2)												
Heating capacity	kW	6,2	7,0	8,4	9,8	13,3	17,4	21,0	22,1	26,2	35,5	42,0
Input power	kW	1,9	2,2	2,7	3,1	4,1	5,2	6,0	6,4	8,8	11,1	12,7
Heating total input current	A	3,8	4,4	5,4	6,8	9,5	10,0	13,0	14,0	17,0	19,0	25,0
COP	W/W	3,21	3,27	3,17	3,22	3,21	3,32	3,49	3,47	2,99	3,21	3,32
Water flow rate system side	l/h	1078	1217	1460	1700	2294	3007	3638	3827	4529	6137	7265
Pressure drop system side	kPa	36	40	41	37	38	39	53	72	70	70	78

(1) Data EN 14511:2022; Heat exchanger water (services side) 12°C / 7°C; outside air 35°C

(2) Data EN 14511:2022; System side water heat exchanger 40 °C / 45 °C; Outside air 7 °C d.b. / 6 °C w.b.

Size		021	026	031	041	051	071	081	091	103	153	203
Power supply: M												
Cooling performance 12 °C / 7 °C (1)												
Cooling capacity	kW	5,7	6,2	7,5	9,6	-	-	-	-	-	-	-
Input power	kW	1,9	2,0	2,5	3,3	-	-	-	-	-	-	-
Cooling total input current	A	6,4	7,3	8,1	11,0	-	-	-	-	-	-	-
EER	W/W	3,02	3,02	2,98	2,90	-	-	-	-	-	-	-
Water flow rate system side	l/h	979	1065	1289	1649	-	-	-	-	-	-	-
Pressure drop system side	kPa	30	31	32	30	-	-	-	-	-	-	-
Heating performance 40 °C / 45 °C (2)												
Heating capacity	kW	6,2	7,0	8,4	9,8	-	-	-	-	-	-	-
Input power	kW	1,9	2,2	2,7	3,1	-	-	-	-	-	-	-
Heating total input current	A	6,6	7,6	9,3	12,0	-	-	-	-	-	-	-
COP	W/W	3,21	3,27	3,17	3,22	-	-	-	-	-	-	-
Water flow rate system side	l/h	1078	1217	1460	1700	-	-	-	-	-	-	-
Pressure drop system side	kPa	36	40	41	37	-	-	-	-	-	-	-

(1) Data EN 14511:2022; Heat exchanger water (services side) 12°C / 7°C; outside air 35°C

(2) Data EN 14511:2022; System side water heat exchanger 40 °C / 45 °C; Outside air 7 °C d.b. / 6 °C w.b.

ANL - (A) / 12/7 °C - 40/45 °C (400V 3N ~ 50Hz / 230V ~ 50Hz)

Size		021	026	031	041	051	071	081	091	103	153	203
Power supply: °												
Cooling performance 12 °C / 7 °C (1)												
Cooling capacity	kW	5,7	6,2	7,6	9,7	13,4	16,4	20,2	21,7	25,8	32,0	40,6
Input power	kW	1,8	2,0	2,5	3,2	4,3	5,8	6,6	6,6	9,2	11,3	14,4
Cooling total input current	A	4,0	4,5	5,0	6,6	9,3	10,0	13,0	13,0	17,0	21,0	27,0
EER	W/W	3,11	3,12	3,07	2,97	3,11	2,82	3,06	3,29	2,79	2,83	2,82
Water flow rate system side	l/h	979	1065	1289	1649	2294	2807	3452	3713	4398	5467	6929
Useful head system side	kPa	73	73	71	65	76	72	57	52	88	125	111
Heating performance 40 °C / 45 °C (2)												
Heating capacity	kW	6,2	7,0	8,3	9,7	13,1	17,2	20,9	21,9	25,9	35,1	41,6
Input power	kW	1,9	2,1	2,6	3,0	4,1	5,2	5,9	6,3	8,9	11,4	13,0
Heating total input current	A	4,1	4,7	5,8	7,2	10,0	11,0	14,0	14,0	18,0	21,0	27,0
COP	W/W	3,23	3,30	3,21	3,25	3,20	3,33	3,51	3,51	2,92	3,08	3,19
Water flow rate system side	l/h	1078	1217	1460	1700	2294	3007	3638	3827	4529	6137	7265
Useful head system side	kPa	68	67	65	58	72	65	46	40	64	94	68

(1) Data EN 14511:2022; Heat exchanger water (services side) 12°C / 7°C; outside air 35°C

(2) Data EN 14511:2022; System side water heat exchanger 40 °C / 45 °C; Outside air 7 °C d.b. / 6 °C w.b.

Size		021	026	031	041	051	071	081	091	103	153	203
Power supply: M												
Cooling performance 12 °C / 7 °C (1)												
Cooling capacity	kW	5,7	6,2	7,6	9,7	-	-	-	-	-	-	-
Input power	kW	1,8	2,0	2,5	3,2	-	-	-	-	-	-	-
Cooling total input current	A	6,9	7,9	8,7	11,0	-	-	-	-	-	-	-
EER	W/W	3,11	3,12	3,07	2,97	-	-	-	-	-	-	-
Water flow rate system side	l/h	979	1065	1289	1649	-	-	-	-	-	-	-
Useful head system side	kPa	73	73	71	65	-	-	-	-	-	-	-
Heating performance 40 °C / 45 °C (2)												
Heating capacity	kW	6,2	7,0	8,3	9,7	-	-	-	-	-	-	-
Input power	kW	1,9	2,1	2,6	3,0	-	-	-	-	-	-	-
Heating total input current	A	7,2	8,2	9,9	12,0	-	-	-	-	-	-	-
COP	W/W	3,23	3,30	3,21	3,25	-	-	-	-	-	-	-
Water flow rate system side	l/h	1078	1217	1460	1700	-	-	-	-	-	-	-
Useful head system side	kPa	68	67	65	58	-	-	-	-	-	-	-

(1) Data EN 14511:2022; Heat exchanger water (services side) 12°C / 7°C; outside air 35°C
(2) Data EN 14511:2022; System side water heat exchanger 40 °C / 45 °C; Outside air 7 °C d.b. / 6 °C w.b.

ANL - (P) / 12/7 °C - 40/45 °C (400V 3N ~ 50Hz / 230V ~ 50Hz)

Size		021	026	031	041	051	071	081	091	103	153	203
Power supply: °												
Cooling performance 12 °C / 7 °C (1)												
Cooling capacity	kW	5,7	6,2	7,6	9,7	13,4	16,4	20,2	21,7	25,8	32,0	40,6
Input power	kW	1,8	2,0	2,5	3,2	4,3	5,8	6,6	6,6	9,2	11,3	14,4
Cooling total input current	A	4,0	4,5	5,0	6,6	9,3	10,0	13,0	13,0	17,0	21,0	27,0
EER	W/W	3,11	3,12	3,07	2,97	3,11	2,82	3,06	3,29	2,79	2,83	2,82
Water flow rate system side	l/h	979	1065	1289	1649	2294	2807	3452	3713	4398	5467	6929
Useful head system side	kPa	73	73	71	65	76	72	57	52	88	125	111
Heating performance 40 °C / 45 °C (2)												
Heating capacity	kW	6,2	7,0	8,3	9,7	13,1	17,2	20,9	21,9	25,9	35,1	41,6
Input power	kW	1,9	2,1	2,6	3,0	4,1	5,2	5,9	6,3	8,9	11,4	13,0
Heating total input current	A	4,1	4,7	5,8	7,2	10,0	11,0	14,0	14,0	18,0	21,0	27,0
COP	W/W	3,23	3,30	3,21	3,25	3,20	3,33	3,51	3,51	2,92	3,08	3,19
Water flow rate system side	l/h	1078	1217	1460	1700	2294	3007	3638	3827	4529	6137	7265
Useful head system side	kPa	68	67	65	58	72	65	46	40	64	94	68

(1) Data EN 14511:2022; Heat exchanger water (services side) 12°C / 7°C; outside air 35°C
(2) Data EN 14511:2022; System side water heat exchanger 40 °C / 45 °C; Outside air 7 °C d.b. / 6 °C w.b.

Size		021	026	031	041	051	071	081	091	103	153	203
Power supply: M												
Cooling performance 12 °C / 7 °C (1)												
Cooling capacity	kW	5,7	6,2	7,6	9,7	-	-	-	-	-	-	-
Input power	kW	1,8	2,0	2,5	3,2	-	-	-	-	-	-	-
Cooling total input current	A	6,9	7,9	8,7	11,0	-	-	-	-	-	-	-
EER	W/W	3,11	3,12	3,07	2,97	-	-	-	-	-	-	-
Water flow rate system side	l/h	979	1065	1289	1649	-	-	-	-	-	-	-
Useful head system side	kPa	73	73	71	65	-	-	-	-	-	-	-
Heating performance 40 °C / 45 °C (2)												
Heating capacity	kW	6,2	7,0	8,3	9,7	-	-	-	-	-	-	-
Input power	kW	1,9	2,1	2,6	3,0	-	-	-	-	-	-	-
Heating total input current	A	7,2	8,2	9,9	12,0	-	-	-	-	-	-	-
COP	W/W	3,23	3,30	3,21	3,25	-	-	-	-	-	-	-
Water flow rate system side	l/h	1078	1217	1460	1700	-	-	-	-	-	-	-
Useful head system side	kPa	68	67	65	58	-	-	-	-	-	-	-

(1) Data EN 14511:2022; Heat exchanger water (services side) 12°C / 7°C; outside air 35°C
(2) Data EN 14511:2022; System side water heat exchanger 40 °C / 45 °C; Outside air 7 °C d.b. / 6 °C w.b.

ANL - (Q) / 12/7 °C - 40/45 °C (400V 3N ~ 50Hz)

Size		021	026	031	041	051	071	081	091	103	153	203
Power supply: °												
Cooling performance 12 °C / 7 °C (1)												
Cooling capacity	kW	-	-	-	-	13,5	16,5	20,3	21,8	25,8	32,1	40,6
Input power	kW	-	-	-	-	4,4	5,9	6,7	6,7	9,6	11,4	14,5
Cooling total input current	A	-	-	-	-	9,7	11,0	13,0	14,0	18,0	21,0	27,0
EER	W/W	-	-	-	-	3,05	2,78	3,03	3,25	2,68	2,82	2,81
Water flow rate system side	l/h	-	-	-	-	2294	2807	3452	3713	4398	5467	6929
Useful head system side	kPa	-	-	-	-	160	159	144	140	147	192	170
Heating performance 40 °C / 45 °C (2)												
Heating capacity	kW	-	-	-	-	13,0	17,1	20,8	21,8	25,9	35,0	41,5
Input power	kW	-	-	-	-	4,2	5,3	6,1	6,4	9,3	11,4	13,0
Heating total input current	A	-	-	-	-	10,0	11,0	14,0	15,0	19,0	21,0	28,0
COP	W/W	-	-	-	-	3,10	3,24	3,42	3,43	2,78	3,07	3,19
Water flow rate system side	l/h	-	-	-	-	2294	3007	3638	3827	4529	6137	7265
Useful head system side	kPa	-	-	-	-	154	151	131	126	107	169	141

(1) Data EN 14511:2022; Heat exchanger water (services side) 12°C / 7°C; outside air 35°C

(2) Data EN 14511:2022; System side water heat exchanger 40 °C / 45 °C; Outside air 7 °C d.b. / 6 °C w.b.

ANL - (N) / 12/7 °C - 40/45 °C (400V 3N ~ 50Hz)

Size		021	026	031	041	051	071	081	091	103	153	203
Power supply: °												
Cooling performance 12 °C / 7 °C (1)												
Cooling capacity	kW	-	-	-	-	-	-	-	-	25,8	32,1	40,6
Input power	kW	-	-	-	-	-	-	-	-	9,6	11,4	14,5
Cooling total input current	A	-	-	-	-	-	-	-	-	18,0	21,0	27,0
EER	W/W	-	-	-	-	-	-	-	-	2,68	2,82	2,81
Water flow rate system side	l/h	-	-	-	-	-	-	-	-	4398	5467	6929
Useful head system side	kPa	-	-	-	-	-	-	-	-	147	192	170
Heating performance 40 °C / 45 °C (2)												
Heating capacity	kW	-	-	-	-	-	-	-	-	25,9	35,0	41,5
Input power	kW	-	-	-	-	-	-	-	-	9,3	11,4	13,0
Heating total input current	A	-	-	-	-	-	-	-	-	19,0	21,0	28,0
COP	W/W	-	-	-	-	-	-	-	-	2,78	3,07	3,19
Water flow rate system side	l/h	-	-	-	-	-	-	-	-	4529	6137	7265
Useful head system side	kPa	-	-	-	-	-	-	-	-	107	169	141

(1) Data EN 14511:2022; Heat exchanger water (services side) 12°C / 7°C; outside air 35°C

(2) Data EN 14511:2022; System side water heat exchanger 40 °C / 45 °C; Outside air 7 °C d.b. / 6 °C w.b.

PERFORMANCE SPECIFICATIONS 23 °C / 18 °C - 30 °C / 35 °C
ANL - (°) / 23/18 °C - 30/35 °C (400V 3N ~ 50Hz / 230V ~ 50Hz)

Size		021	026	031	041	051	071	081	091	103	153	203
Power supply: °												
Cooling performance 23 °C / 18 °C (1)												
Cooling capacity	kW	6,9	7,5	9,0	11,6	16,1	19,7	24,2	26,0	30,8	38,3	48,5
Input power	kW	2,0	2,1	2,6	3,4	4,5	6,1	7,0	7,0	9,6	11,6	14,8
Cooling total input current	A	3,8	4,3	4,9	6,4	9,0	10,0	13,0	13,0	16,0	19,0	26,0
EER	W/W	3,50	3,50	3,45	3,36	3,54	3,21	3,47	3,68	3,21	3,31	3,27
Water flow rate system side	l/h	1189	1293	1564	2002	2784	3407	4189	4506	5338	6636	8410
Pressure drop system side	kPa	44	46	47	44	50	52	65	88	81	84	92
Heating performance 30 °C / 35 °C (2)												
Heating capacity	kW	6,5	7,3	8,8	10,3	13,8	18,1	21,9	23,1	27,3	37,0	43,9
Input power	kW	1,7	1,9	2,3	2,7	3,5	4,7	5,4	5,7	7,8	9,9	11,3
Heating total input current	A	3,3	3,8	4,6	6,0	8,1	9,1	11,0	12,0	15,0	17,0	22,0
COP	W/W	3,88	3,96	3,85	3,77	3,90	3,89	4,08	4,05	3,49	3,74	3,87
Water flow rate system side	l/h	1120	1265	1518	1767	2385	3126	3782	3979	4709	6381	7553
Pressure drop system side	kPa	39	43	44	40	41	42	57	78	76	76	84

(1) Data EN 14511:2022; System side water heat exchanger 23 °C / 18 °C; External air 35 °C

(2) Data EN 14511:2022; System side water heat exchanger 30 °C / 35 °C; External air 7 °C d.b. / 6 °C w.b.

Size		021	026	031	041	051	071	081	091	103	153	203
Power supply: M												
Cooling performance 23 °C / 18 °C (1)												
Cooling capacity	kW	6,9	7,5	9,0	11,6	-	-	-	-	-	-	-
Input power	kW	2,0	2,1	2,6	3,4	-	-	-	-	-	-	-
Cooling total input current	A	6,6	7,6	8,4	11,0	-	-	-	-	-	-	-
EER	W/W	3,50	3,50	3,45	3,36	-	-	-	-	-	-	-
Water flow rate system side	l/h	1189	1293	1564	2002	-	-	-	-	-	-	-
Pressure drop system side	kPa	44	46	47	44	-	-	-	-	-	-	-
Heating performance 30 °C / 35 °C (2)												
Heating capacity	kW	6,5	7,3	8,8	10,3	-	-	-	-	-	-	-
Input power	kW	1,7	1,9	2,3	2,7	-	-	-	-	-	-	-
Heating total input current	A	5,6	6,5	8,0	10,0	-	-	-	-	-	-	-
COP	W/W	3,88	3,96	3,85	3,77	-	-	-	-	-	-	-
Water flow rate system side	l/h	1120	1265	1518	1767	-	-	-	-	-	-	-
Pressure drop system side	kPa	39	43	44	40	-	-	-	-	-	-	-

(1) Data EN 14511:2022; System side water heat exchanger 23 °C / 18 °C; External air 35 °C
(2) Data EN 14511:2022; System side water heat exchanger 30 °C / 35 °C; External air 7 °C d.b. / 6 °C w.b.

ANL - (A) / 23/18 °C - 30/35 °C (400V 3N ~ 50Hz / 230V ~ 50Hz)

Size		021	026	031	041	051	071	081	091	103	153	203
Power supply: °												
Cooling performance 23 °C / 18 °C (1)												
Cooling capacity	kW	6,9	7,5	9,1	11,7	16,2	19,8	24,4	26,2	31,1	38,7	48,9
Input power	kW	1,9	2,1	2,6	3,4	4,5	6,0	6,9	6,9	9,7	11,9	15,2
Cooling total input current	A	4,2	4,7	5,2	6,8	9,7	11,0	13,0	14,0	17,0	21,0	28,0
EER	W/W	3,63	3,63	3,58	3,46	3,62	3,28	3,55	3,81	3,21	3,24	3,21
Water flow rate system side	l/h	1189	1293	1564	2002	2784	3407	4189	4506	5338	6636	8410
Useful head system side	kPa	63	63	60	51	60	53	31	24	47	63	41
Heating performance 30 °C / 35 °C (2)												
Heating capacity	kW	6,4	7,3	8,7	10,2	13,7	18,0	21,8	22,9	27,1	36,6	43,4
Input power	kW	1,6	1,8	2,2	2,7	3,5	4,6	5,3	5,6	8,0	10,2	11,7
Heating total input current	A	3,6	4,1	5,0	6,4	8,8	9,8	12,0	13,0	16,0	19,0	24,0
COP	W/W	3,93	4,02	3,91	3,81	3,90	3,91	4,11	4,11	3,40	3,58	3,71
Water flow rate system side	l/h	1120	1265	1518	1767	2385	3126	3782	3979	4709	6381	7553
Useful head system side	kPa	67	64	62	55	69	61	41	34	55	81	53

(1) Data EN 14511:2022; System side water heat exchanger 23 °C / 18 °C; External air 35 °C
(2) Data EN 14511:2022; System side water heat exchanger 30 °C / 35 °C; External air 7 °C d.b. / 6 °C w.b.

Size		021	026	031	041	051	071	081	091	103	153	203
Power supply: M												
Cooling performance 23 °C / 18 °C (1)												
Cooling capacity	kW	6,9	7,5	9,1	11,7	-	-	-	-	-	-	-
Input power	kW	1,9	2,1	2,6	3,4	-	-	-	-	-	-	-
Cooling total input current	A	7,2	8,2	9,0	12,0	-	-	-	-	-	-	-
EER	W/W	3,63	3,63	3,58	3,46	-	-	-	-	-	-	-
Water flow rate system side	l/h	1189	1293	1564	2002	-	-	-	-	-	-	-
Useful head system side	kPa	63	63	60	51	-	-	-	-	-	-	-
Heating performance 30 °C / 35 °C (2)												
Heating capacity	kW	6,4	7,3	8,7	10,2	-	-	-	-	-	-	-
Input power	kW	1,6	1,8	2,2	2,7	-	-	-	-	-	-	-
Heating total input current	A	6,2	7,1	8,6	11,0	-	-	-	-	-	-	-
COP	W/W	3,93	4,02	3,91	3,81	-	-	-	-	-	-	-
Water flow rate system side	l/h	1120	1265	1518	1767	-	-	-	-	-	-	-
Useful head system side	kPa	67	64	62	55	-	-	-	-	-	-	-

(1) Data EN 14511:2022; System side water heat exchanger 23 °C / 18 °C; External air 35 °C
(2) Data EN 14511:2022; System side water heat exchanger 30 °C / 35 °C; External air 7 °C d.b. / 6 °C w.b.

ANL - (P) / 23/18 °C - 30/35 °C (400V 3N ~ 50Hz / 230V ~ 50Hz)

Size		021	026	031	041	051	071	081	091	103	153	203
Power supply: °												
Cooling performance 23 °C / 18 °C (1)												
Cooling capacity	kW	6,9	7,5	9,1	11,7	16,2	19,8	24,4	26,2	31,1	38,7	48,9
Input power	kW	1,9	2,1	2,6	3,4	4,5	6,0	6,9	6,9	9,7	11,9	15,2
Cooling total input current	A	4,2	4,7	5,2	6,8	9,7	11,0	13,0	14,0	17,0	21,0	28,0
EER	W/W	3,63	3,63	3,58	3,46	3,62	3,28	3,55	3,81	3,21	3,24	3,21
Water flow rate system side	l/h	1189	1293	1564	2002	2784	3407	4189	4506	5338	6636	8410
Useful head system side	kPa	63	63	60	51	60	53	31	24	47	63	41
Heating performance 30 °C / 35 °C (2)												
Heating capacity	kW	6,4	7,3	8,7	10,2	13,7	18,0	21,8	22,9	27,1	36,6	43,4
Input power	kW	1,6	1,8	2,2	2,7	3,5	4,6	5,3	5,6	8,0	10,2	11,7
Heating total input current	A	3,6	4,1	5,0	6,4	8,8	9,8	12,0	13,0	16,0	19,0	24,0
COP	W/W	3,93	4,02	3,91	3,81	3,90	3,91	4,11	4,11	3,40	3,58	3,71
Water flow rate system side	l/h	1120	1265	1518	1767	2385	3126	3782	3979	4709	6381	7553
Useful head system side	kPa	67	64	62	55	69	61	41	34	55	81	53

(1) Data EN 14511:2022; System side water heat exchanger 23 °C / 18 °C; External air 35 °C
 (2) Data EN 14511:2022; System side water heat exchanger 30 °C / 35 °C; External air 7 °C d.b. / 6 °C w.b.

Size		021	026	031	041	051	071	081	091	103	153	203
Power supply: M												
Cooling performance 23 °C / 18 °C (1)												
Cooling capacity	kW	6,9	7,5	9,1	11,7	-	-	-	-	-	-	-
Input power	kW	1,9	2,1	2,6	3,4	-	-	-	-	-	-	-
Cooling total input current	A	7,2	8,2	9,0	12,0	-	-	-	-	-	-	-
EER	W/W	3,63	3,63	3,58	3,46	-	-	-	-	-	-	-
Water flow rate system side	l/h	1189	1293	1564	2002	-	-	-	-	-	-	-
Useful head system side	kPa	63	63	60	51	-	-	-	-	-	-	-
Heating performance 30 °C / 35 °C (2)												
Heating capacity	kW	6,4	7,3	8,7	10,2	-	-	-	-	-	-	-
Input power	kW	1,6	1,8	2,2	2,7	-	-	-	-	-	-	-
Heating total input current	A	6,2	7,1	8,6	11,0	-	-	-	-	-	-	-
COP	W/W	3,93	4,02	3,91	3,81	-	-	-	-	-	-	-
Water flow rate system side	l/h	1120	1265	1518	1767	-	-	-	-	-	-	-
Useful head system side	kPa	67	64	62	55	-	-	-	-	-	-	-

(1) Data EN 14511:2022; System side water heat exchanger 23 °C / 18 °C; External air 35 °C
 (2) Data EN 14511:2022; System side water heat exchanger 30 °C / 35 °C; External air 7 °C d.b. / 6 °C w.b.

ANL - (Q) / 23/18 °C - 30/35 °C (400V 3N ~ 50Hz)

Size		021	026	031	041	051	071	081	091	103	153	203
Power supply: °												
Cooling performance 23 °C / 18 °C (1)												
Cooling capacity	kW	-	-	-	-	16,3	19,9	24,5	26,3	31,1	38,7	49,0
Input power	kW	-	-	-	-	4,6	6,2	7,0	7,0	10,2	11,9	15,2
Cooling total input current	A	-	-	-	-	10,0	11,0	14,0	14,0	18,0	22,0	28,0
EER	W/W	-	-	-	-	3,54	3,23	3,51	3,76	3,07	3,25	3,23
Water flow rate system side	l/h	-	-	-	-	2784	3407	4189	4506	5338	6636	8410
Useful head system side	kPa	-	-	-	-	136	135	114	108	79	146	114
Heating performance 30 °C / 35 °C (2)												
Heating capacity	kW	-	-	-	-	13,6	17,9	21,7	22,8	27,0	36,6	43,4
Input power	kW	-	-	-	-	3,6	4,7	5,4	5,7	8,4	10,2	11,7
Heating total input current	A	-	-	-	-	9,1	10,0	13,0	13,0	17,0	19,0	25,0
COP	W/W	-	-	-	-	3,75	3,79	4,00	4,01	3,22	3,57	3,71
Water flow rate system side	l/h	-	-	-	-	2385	3126	3782	3979	4709	6381	7553
Useful head system side	kPa	-	-	-	-	149	146	125	119	92	159	129

(1) Data EN 14511:2022; System side water heat exchanger 23 °C / 18 °C; External air 35 °C
 (2) Data EN 14511:2022; System side water heat exchanger 30 °C / 35 °C; External air 7 °C d.b. / 6 °C w.b.

ANL - (N) / 23/18 °C - 30/35 °C (400V 3N ~ 50Hz)

Size		021	026	031	041	051	071	081	091	103	153	203
Power supply: °												
Cooling performance 23 °C / 18 °C (1)												
Cooling capacity	kW	-	-	-	-	-	-	-	-	31,1	38,7	49,0
Input power	kW	-	-	-	-	-	-	-	-	10,2	11,9	15,2
Cooling total input current	A	-	-	-	-	-	-	-	-	18,0	22,0	28,0
EER	W/W	-	-	-	-	-	-	-	-	3,07	3,25	3,23
Water flow rate system side	l/h	-	-	-	-	-	-	-	-	5338	6636	8410
Useful head system side	kPa	-	-	-	-	-	-	-	-	79	146	114
Heating performance 30 °C / 35 °C (2)												
Heating capacity	kW	-	-	-	-	-	-	-	-	27,0	36,6	43,4
Input power	kW	-	-	-	-	-	-	-	-	8,4	10,2	11,7
Heating total input current	A	-	-	-	-	-	-	-	-	17,0	19,0	25,0
COP	W/W	-	-	-	-	-	-	-	-	3,22	3,57	3,71
Water flow rate system side	l/h	-	-	-	-	-	-	-	-	4709	6381	7553
Useful head system side	kPa	-	-	-	-	-	-	-	-	92	159	129

(1) Data EN 14511:2022; System side water heat exchanger 23 °C / 18 °C; External air 35 °C

(2) Data EN 14511:2022; System side water heat exchanger 30 °C / 35 °C; External air 7 °C d.b. / 6 °C w.b.

ENERGY DATA

Size		021	026	031	041	051	071	081	091	103	153	203	
Power supply: °													
Cooling capacity with low leaving water temp (UE n° 2016/2281)													
SEER	°	W/W	3,13	3,19	3,28	3,34	3,76	3,49	3,80	3,91	3,58	3,74	3,73
	A,P	W/W	3,29	3,36	3,45	3,50	3,89	3,69	3,99	4,16	3,55	3,53	3,55
	N	W/W	-	-	-	-	-	-	-	-	3,14	3,48	3,53
	Q	W/W	-	-	-	-	3,30	3,24	3,53	3,75	3,14	3,48	3,53
η _{sc}	°	%	122,00	125,00	128,00	131,00	147,00	137,00	149,00	153,00	140,00	146,00	146,00
	A,P	%	129,00	131,00	135,00	137,00	153,00	145,00	157,00	163,00	139,00	138,00	139,00
	N	%	-	-	-	-	-	-	-	-	123,00	136,00	138,00
	Q	%	-	-	-	-	129,00	127,00	138,00	147,00	123,00	136,00	138,00
UE 811/2013 performance in average ambient conditions (average) - 35 °C - Pdesign ≤ 70 kW (1)													
Pdesignh	°	kW	6,00	6,00	8,00	9,00	13,00	16,00	20,00	21,00	25,00	33,00	40,00
	A,P	kW	6,00	6,00	8,00	9,00	12,00	16,00	20,00	21,00	24,00	33,00	39,00
	N	kW	-	-	-	-	-	-	-	-	24,00	33,00	39,00
	Q	kW	-	-	-	-	12,00	16,00	19,00	21,00	24,00	33,00	39,00
SCOP	°	W/W	3,31	3,39	3,33	3,26	3,44	3,43	3,56	3,50	3,53	3,57	3,69
	A	W/W	3,40	3,48	3,41	3,34	3,48	3,48	3,61	3,52	3,45	3,45	3,61
	N	W/W	-	-	-	-	-	-	-	-	3,22	3,35	3,52
	P	W/W	3,40	3,40	3,40	3,35	3,48	3,48	3,60	3,53	3,45	3,45	3,60
η _{sh}	°	%	129,47	132,68	130,12	127,57	134,49	134,10	139,54	137,05	138,02	139,67	144,75
	A	%	133,10	136,35	133,49	130,79	136,32	136,18	141,46	137,92	135,05	134,98	141,49
	N	%	-	-	-	-	-	-	-	-	125,60	131,07	137,69
	P	%	133,00	133,00	133,00	131,00	136,00	136,00	141,00	138,00	135,00	135,00	141,00
Efficiency energy class	°		A+	A+	A+	A+	A+	A+	A+	A+	A+	A+	A+
	A,P		A+	A+	A+	A+	A+	A+	A+	A+	A+	A+	A+
	N		-	-	-	-	-	-	-	-	A+	A+	A+
	Q		-	-	-	-	A+	A+	A+	A+	A+	A+	A+

(1) Efficiencies for low temperature applications (35 °C)

ELECTRIC DATA

Size		021	026	031	041	051	071	081	091	103	153	203	
Power supply: °													
Electric data													
Maximum current (FLA)	°	A	7,0	7,0	7,7	9,7	11,3	13,5	16,3	17,3	22,0	26,0	32,0
	A,P	A	7,7	7,7	8,4	10,4	13,3	15,5	18,3	19,3	23,9	29,1	35,1
	N	A	-	-	-	-	-	-	-	-	26,2	30,2	36,2
	Q	A	-	-	-	-	14,0	13,5	19,0	20,0	26,2	30,2	36,2
Peak current (LRA)	°	A	27,5	33,5	36,7	49,7	65,3	75,3	102,3	96,3	76,0	87,0	117,0
	A,P	A	28,2	34,2	37,4	50,4	67,3	75,3	104,3	98,3	77,9	90,1	120,1
	N	A	-	-	-	-	-	-	-	-	80,2	91,2	121,2
	Q	A	-	-	-	-	68,0	75,3	105,0	99,0	80,2	91,2	121,2

Size			021	026	031	041	051	071	081	091	103	153	203
Power supply: M													
Electric data													
Maximum current (FLA)	°	A	17,5	17,5	20,7	24,7	-	-	-	-	-	-	-
	A,P	A	18,5	18,5	20,5	25,6	-	-	-	-	-	-	-
	N,Q	A	-	-	-	-	-	-	-	-	-	-	-
Peak current (LRA)	°	A	59,5	62,5	83,7	98,7	-	-	-	-	-	-	-
	A,P	A	60,5	63,5	84,5	99,6	-	-	-	-	-	-	-
	N,Q	A	-	-	-	-	-	-	-	-	-	-	-

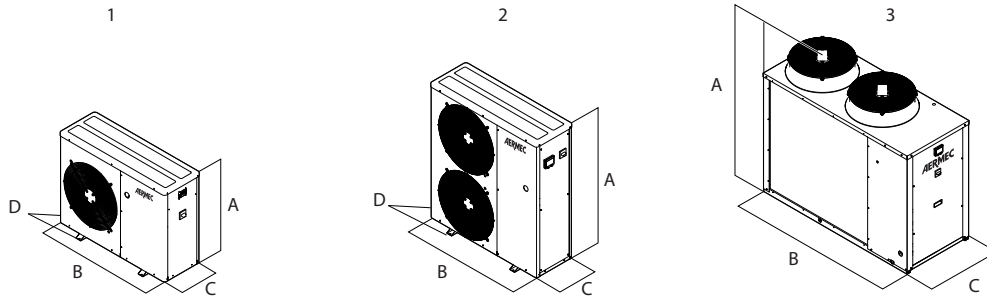
GENERAL TECHNICAL DATA

Size			021	026	031	041	051	071	081	091	103	153	203
Compressor													
Type	type												
Compressor regulation	Type												
Number	no.		1	1	1	1	1	1	1	1	2	2	2
Circuits	no.		1	1	1	1	1	1	1	1	1	1	1
Refrigerant	type												
Refrigerant charge (1)	kg		1,8	1,8	2,0	2,0	2,9	2,9	3,1	3,9	4,6	5,4	5,7
System side heat exchanger													
Type	type												
Number	no.		1	1	1	1	1	1	1	1	1	1	1
Hydraulic connections													
Connections (in/out)	Type												
Sizes (in/out)	Ø												
Fan													
Type	type												
Fan motor	type		Asynchronous	Asynchronous	Asynchronous	Inverter	Inverter	Inverter	Inverter	Inverter	Asynchronous	Asynchronous	Asynchronous
Number	no.		1	1	1	1	1	2	2	2	2	2	2
Air flow rate	m ³ /h		2500	2500	3500	3500	7200	7200	7300	7200	14000	13500	13500
Sound data calculated in cooling mode (2)													
Sound power level	dB(A)		61,0	61,0	68,0	68,0	69,0	69,0	69,0	68,0	76,0	77,0	78,0
Sound pressure level (10 m)	dB(A)		29,8	29,8	36,8	36,8	37,6	37,6	37,6	36,6	44,5	45,5	46,5

(1) The load indicated in the table is an estimated and preliminary value. The final value of the refrigerant load is indicated on the unit's technical label. For further information contact the office.

(2) Sound power calculated on the basis of measurements made in accordance with UNI EN ISO 9614-2, as required for Eurovent certification. Sound pressure (cold functioning) measured in free field, 10m away from the unit external surface (in compliance with UNI EN ISO 3744).

DIMENSIONS



- 1 ANL 021 - 041
 2 ANL 051 - 091
 3 ANL 103 - 203

Size		021	026	031	041	051	071	081	091	103	153	203	
Dimensions and weights													
A	°P	mm	1000	1000	1000	1000	1252	1252	1252	1252	1450	1450	1450
	A	mm	1015	1015	1015	1015	1281	1281	1281	1281	1450	1450	1450
	N	mm	-	-	-	-	-	-	-	-	1450	1450	1450
	Q	mm	-	-	-	-	1281	1281	1281	1281	1450	1450	1450
B	°P	mm	900	900	900	900	1124	1124	1124	1124	1750	1750	1750
	A	mm	1124	1124	1124	1124	1165	1165	1165	1165	1750	1750	1750
	N	mm	-	-	-	-	-	-	-	-	1750	1750	1750
	Q	mm	-	-	-	-	1165	1165	1165	1165	1750	1750	1750
C	°P	mm	310	310	310	310	384	384	384	384	750	750	750
	A	mm	384	384	384	384	550	550	550	550	750	750	750
	N	mm	-	-	-	-	-	-	-	-	750	750	750
	Q	mm	-	-	-	-	550	550	550	550	750	750	750
D	°P	mm	354	354	354	354	428	428	428	428	-	-	-
	A	mm	428	428	428	428	-	-	-	-	-	-	-
	N	mm	-	-	-	-	-	-	-	-	-	-	-
	Q	mm	-	-	-	-	-	-	-	-	-	-	-
Empty weight	°	kg	86	86	86	86	120	120	120	156	270	293	329
	A	kg	103	103	103	103	147	147	183	183	338	364	400
	N	kg	-	-	-	-	-	-	-	-	338	364	400
	P	kg	91	91	91	91	127	127	163	163	288	314	350
	Q	kg	-	-	-	-	147	147	183	183	338	364	400

Aermec reserves the right to make any modifications deemed necessary.
 All data is subject to change without notice. Aermec does not assume
 responsibility or liability for errors or omissions.

Aermec S.p.A.
 Via Roma, 996 - 37040 Bevilacqua (VR) - Italia
 Tel. 0442633111 - Telefax 044293577
www.aermec.com