

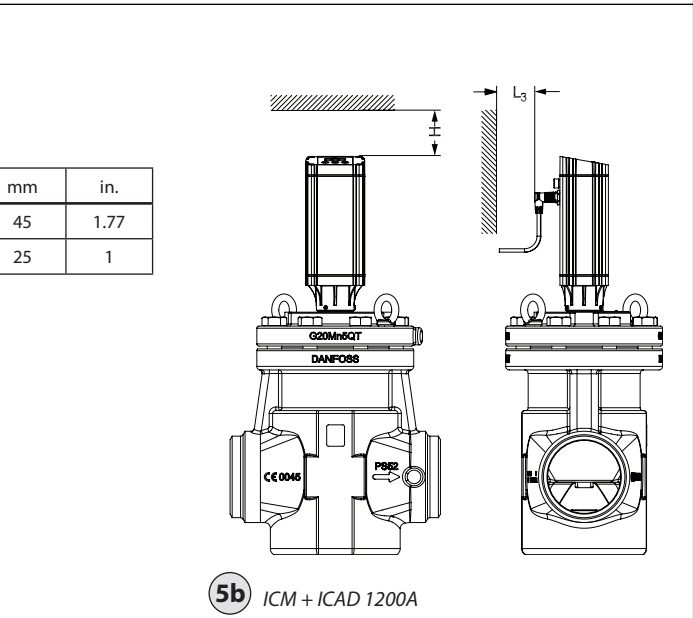
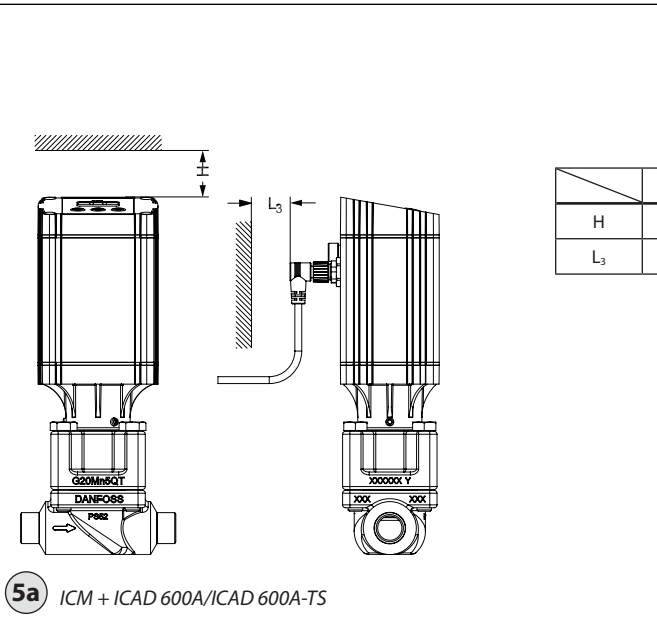
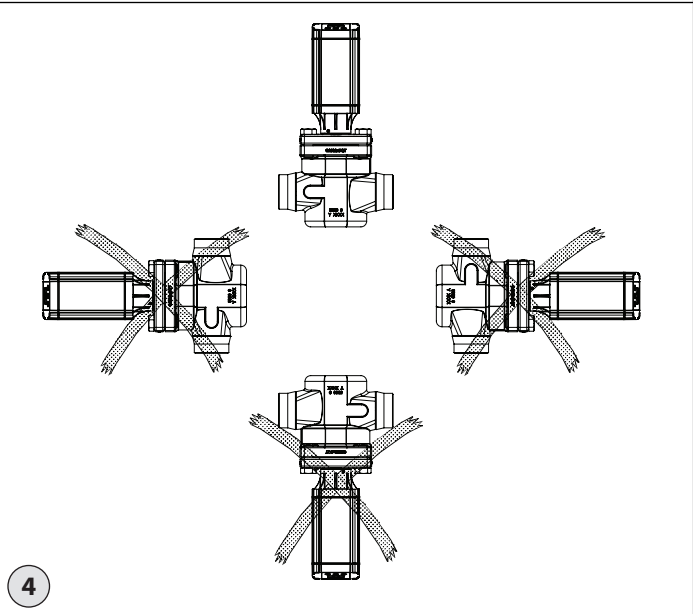
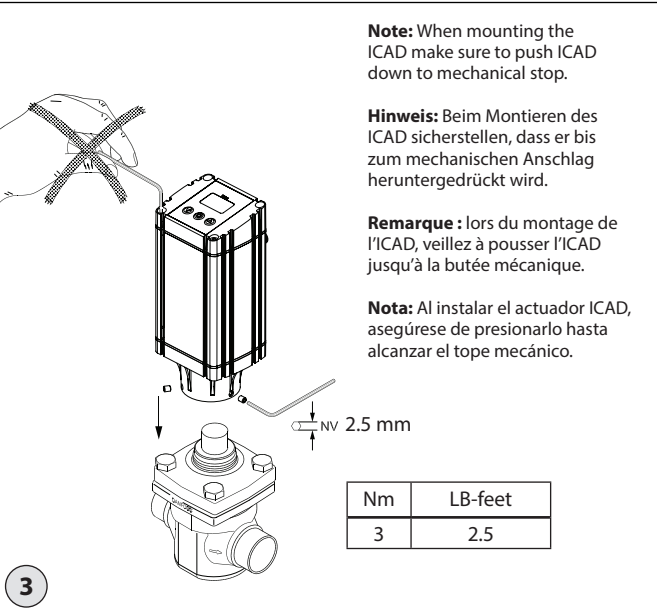
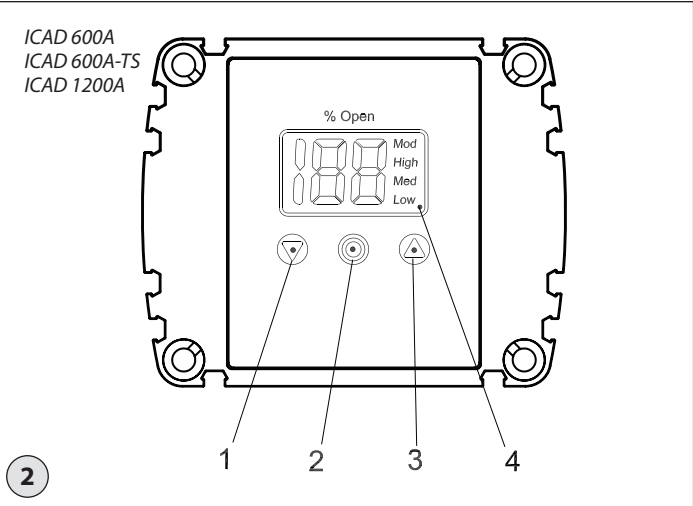
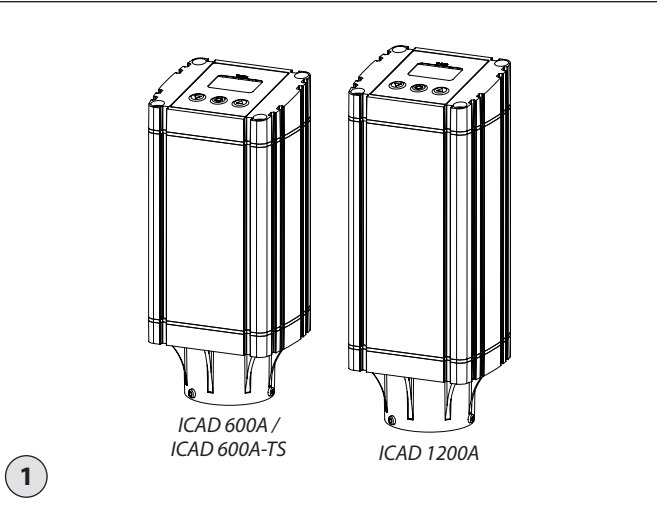
Installation guide

Actuator

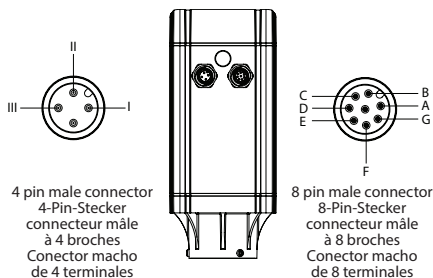
Type ICAD 600A / ICAD 600A-TS / ICAD 1200A

027R9966

027R9966



ICAD 600A / ICAD 600A-TS / ICAD 1200A



Reference Bezeichnung Référence Referencia	Color Farbe Couleur Color	Description Beschreibung du marché Descripción
A	Black / Schwarz / Noir / Negro	- Common Alarm / Sammelalarm / Alarme commune / Alarma común
B	Brown / Braun / Marron / Marrón	- Valve fully open / Ventil voll geöffnet / Vanne totalement ouverte / Válvula completamente abierta
C	Red / Rot / Rouge / Rojo	- Valve fully closed / Ventil voll geschlossen / Vanne totalement fermée / Válvula completamente cerrada
D	Orange / Orange / Orange / Naranja	- GND ground / Masse / Masse GND / GND
E	Yellow / Gelb / Jaune / Amarillo	+ 0/4 - 20 mA Input / Eingang / Entrée / Entrada
F	Green / Grün / Vert / Verde	+ 0/2 - 10 V Input / Eingang / Entrée / Entrada
G	Blue / Blau / Bleu / Azul	+ 0/4 - 20 mA Output / Ausgang / Sortie / Salida
I	Black / Schwarz / Noir / Negro	+ Fail safe supply - Battery / UPS* 19 V d.c. / Eigensichere Stromversorgung - Batterie/USV* 19 V d.c. Alimentation de sécurité - Batterie/onduleur* 19 V c.c. Alimentación de seguridad (batería/SAI*, 19 V c.c.)
II	White / Weiß / Blanc / Blanco	+ Supply voltage 24 V d.c. / Versorgungsspannung 24 V d.c. Tension d'alimentation 24 Vc.c.
III	Brown / Braun / Marron / Marrón	- Tensión de alimentación, 24 V c.c.

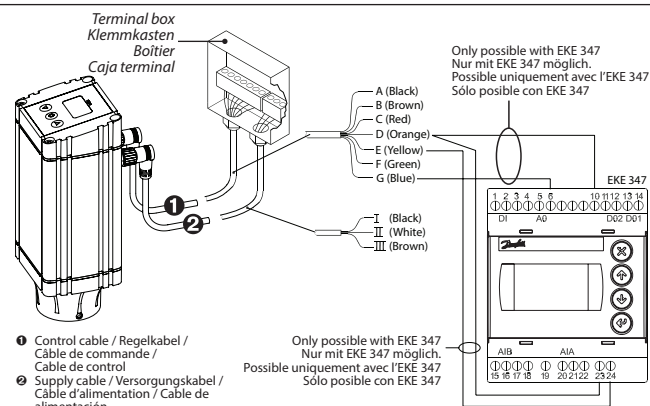
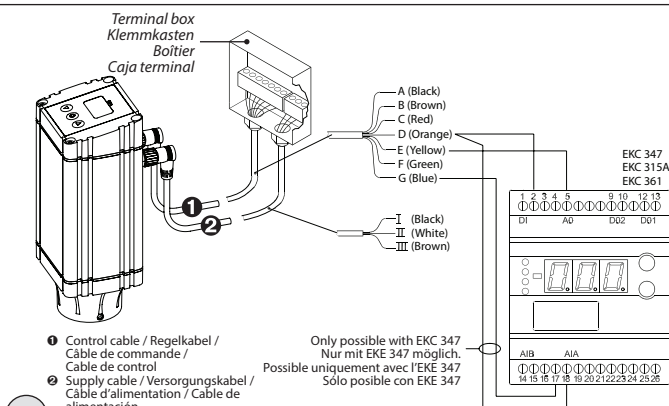
Digital output
Digitaler Ausgang
Sortie numérique
Salida digital

Analog in/output
Analoger Ein-/
Ausgang
Entrée/sortie
analogique
Entrada/salida
analógica

6

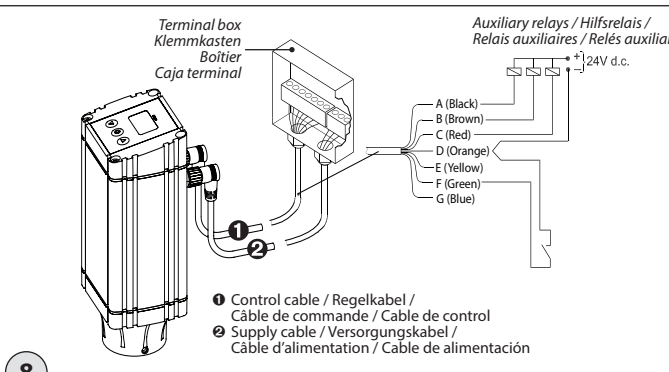
* Uninterruptible Power Supply / Unterbrechungsfreie Stromversorgung /
Alimentation sans interruption / Fuente de alimentación ininterrumpida

**ICAD 600A/1200A - Analog I/O for modulating control / Analoger E/A für die modulierende Regelung /
E/S analogique pour régulation modulante / E/S analógica para control modulante**



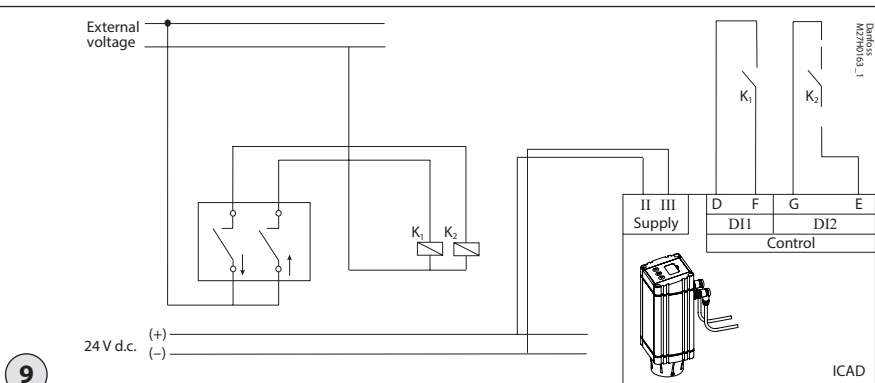
7

**ICAD 600A/600A-TS/1200A - Digital I/O for ON/OFF valve operation / Digitaler E/A für EIN/AUS-Ventilbetrieb /
E/S numérique pour marche/arrêt de la vanne / E/S digital para control de válvula ON/OFF**



8

Neutral zone / 3 points control / Neutralzone/3-Punkt-Regelung / Zone neutre/régulation 3 points / Zona neutra/control de 3 puntos



9

ENGLISH

Installation



Do not instal ICAD before welding. This apply for electrical as well as for mechanical installation. Please observe that ICAD when connected to 24 V d.c., will send out acoustic noise at stand still. This has no influence on the function/operation of the ICAD.

Use

ICAD 600A, ICAD 600A-TS and ICAD 1200A can be used together with the following Danfoss valves (fig. 1, 5a and 5b).

ICAD 600A	ICAD 600A-TS	ICAD 1200A
ICM 20	ICM TS 20	ICM 40
ICM 25		ICM 50
ICM 32		ICM 65
		ICM 100
		ICM 125
		ICM 150
		CVE pilot valve

Electrical data

Supply voltage is galvanically isolated from in-/output.

Supply voltage

24 V d.c. (Tolerances; see below table)

Load ICAD 600A, ICAD 600A-TS: 1.2 A
ICAD 1200A: 2.0 A



24 Volt d.c. ONLY

Please observe cable voltage drop.

Distance between the applied d.c. transformer and the ICAD terminal box may cause a voltage drop. Cross section of cables and size of d.c. transformer must be calculated so that the voltage at all time **at the ICAD terminal box***, both during standstill and during operation of ICAD, is within this range:

Prefabricated ICAD cable length Code number	1.5 m	3 m	10 m	15 m
	027H0426	027H0438	027H0427	027H0435
Voltage ICAD terminal (600A/1200A) [V d.c.]	Min. 21	22	23	24
	Max. 26.4			

* Do not measure inside the ICAD itself.

Fail safe supply

24 V d.c. (Tolerances; see table above)

Load ICAD 600A, ICAD 600A-TS: 1.2 A
ICAD 1200A: 2.0 A

Analog Input - Current or Voltage

Current

0/4 - 20 mA
Load: 200 Ω

Voltage

0/2 - 10 V d.c.
Load: 10 kΩ

Analog Output

0/4 - 20 mA
Load: ≤ 250 Ω

Digital Input - Digital ON/OFF input by means of voltfree contact (Signal/Telecom relays with gold-plated contacts recommended) - Voltage input used

ON: Contact impedance < 50 W
OFF: Contact impedance > 100 kΩ

Digital Output - 3 pcs. NPN transistor output

External supply: 5 - 24 V d.c. (same supply as for ICAD can be used, but please note that the galvanically isolated system will then be spoiled).

Output load: 50 Ω
Load: Max. 50 mA

Temperature range (ambient)

-30°C/+50°C (-22°F/122°F)

Enclosure

IP 67 (~NEMA 6)

Electrical connection

Connection to ICAD is done via M12 connectors. ICAD has two M12 male connectors build-in:

Power supply: 4 poled M12 male connector
Control signals: 8 poled M12 male connector

If ICAD is delivered with cables (1.5 m. (60 in.)) M12 female connectors: (Cable set with M12 female connectors in other lengths are available)

Power Supply cable with 4 poled M12 female connector

- 3 x 0.34 mm² (3 x ~22 AWG) (fig. 6)
- I: Black (+) 19 - 24 V d.c. fail safe supply (optional).
- II: White (+) 24 V d.c.
- III: Brown (-) 24 V d.c.

Control cable with 8 poled M12 female connector

- 7 x 0.25 mm² (7 x ~24 AWG) (fig. 7)
- A: Black (-) Digital output. Common Alarm.
- B: Brown (-) Digital output. ICM fully open.
- C: Red (-) Digital output. ICM fully closed.
- D: Orange (-) GND - Ground.
- E: Yellow (+) Analog input 0/4-20 mA. *)
- F: Green (+) Analog input 0/2-10 V / DI1 - Digital ON/OFF input.
- G: Blue (+) Analog output 0/4-20 mA. *)

*) If Neutral zone / 3 point control is selected (parameter i02 = 3) then E and G is used as DI2 - Digital ON/OFF input. Se fig. 9.

Electrical installation

General procedure for ICAD 600A/ICAD 600A-TS/1200A installed on all ICM, ICMTS & CVE valves.

All necessary electrical connections to be made.

ICM valve: Analog or digital operation
CVE/ICMTS valve: Analog only

Fig. 6

- **Analog operation - 7 wired cable (A-G)**
Modulation control. Valve to be controlled from Danfoss electronics, type EKC/EKE (fig. 7), or third party electronics (like e.g. PLC).
- Connect analog input signals. Current (mA) or Voltage (V). See **Parameter list** for configuration of analog input signals.
- Yellow (+) and Orange (GND) are used for current (mA) input.
or
- Green (+) and Orange (GND) are used for Voltage (V) input.
- Blue (+) and Orange (GND) are used for current (mA) output (optional, not mandatory).

Fig. 6

- **Digital operation - 7 wired cable (A-G)**
ON/OFF ICM solenoid valve operation. ICM valve to be controlled by means of a digital voltfree contact.
- Connect digital input signals (fig. 8). See **Parameter list** for configuration of digital input signals.
- Green (+) and Orange (GND) are connected to a voltfree contact.

Digital output signals are optional, not mandatory.

- Black (-) and Orange (GND) are connected to auxiliary relay for Common Alarm.

- Brown (-) and Orange (GND) are connected to an auxiliary relay indicating ICM fully open.
- Red (-) and Orange (GND) are connected to an auxiliary relay indicating ICM fully closed.

- **Supply voltage - 3 wired cable (I, II, III)**
ICAD must be connected to a normal 24 V d.c. supply. As an option, a fail safe supply is possible by means of a battery or UPS (Uninterruptible Power Supply). When voltage is applied as described below, ICAD is ready to be configured. See **Parameter list**. ICAD configuration can be done independently whether the ICAD is installed on the valve or not. See **Mechanical installation**.
- Connect the White (+) and Brown (-) to a 24 V d.c. supply voltage (fig. 6).

Fail safe supply as an option (not mandatory).

- Connect the Black (+) and Brown (-) to a fail safe supply.

Mechanical installation

General procedure for ICAD 600A/ICAD 600A-TS/1200A installed on all valves (fig. 3).

- Check that the three socket set screws are fully unscrewed counter clockwise with a 2.5 mm Hexagon key.
- Mount ICAD by slowly lowering it on top of the valve.
- The magnet coupling will drag the valve and ICAD together and in position.
- Push ICAD in place.
- Fasten valve and ICAD with the three socket set screws using a 2.5 mm Hexagon key.



Special moisture seal is damaged if screws are removed (fig. 3, pos. A)

Neutral zone / 3 point control (fig. 9 - ICM only)

i02 = 3
When **i02 = 3** the factory setting of **i04** (opening) and **i14** (closing) are both set to 10. When **i02 = 3** the speed given by **i04** (opening) and **i14** (closing) are active

i13 (Inverse operation) is active
i16 = 1 (Encoder operation enable) is active.

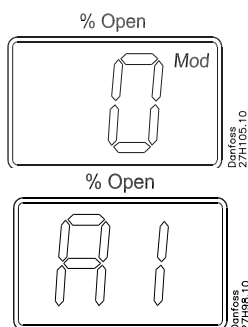
i13 = 0 (Direct operation)
DI1 = DI2 = OFF
ICAD/ICM maintain current position
DI1 = DI2 = ON
ICAD/ICM maintain current position
DI1 = ON, DI2 = OFF
ICAD increase opening degree
DI1 = OFF, DI2 = ON
ICAD decrease opening degree

i13 = 1 (Inverse operation)
DI1 = DI2 = OFF
ICAD maintain current position
DI1 = DI2 = ON
ICAD maintain current position
DI1 = ON, DI2 = OFF
ICAD decrease opening degree
DI1 = OFF, DI2 = ON
ICAD increase opening degree

ENGLISH

Startup

When voltage is applied for the first time the display on the ICAD (fig. 2) will alternate between showing: Actual opening degree and **A1**.



A1 indicates an alarm which corresponds to: No valve selected. See **Alarms** for further information.

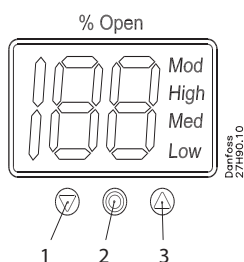
Please observe that when the correct valve is entered in parameter **i26** (see **Parameter list**) an automatic calibration is carried out. I.e it is not necessary to carry out another calibration in parameter **i05**.

During calibration "CA" will be flashing in the display.

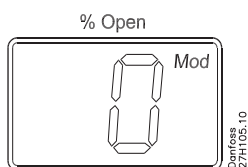
The ICAD will briefly display "CS" every time the valve is going to close and reach 0%.

General Operation

ICAD is equipped with an MMI (Man Machine Interface) from which it is possible to see and change different parameters to adapt the ICAD and the corresponding valve to the actual refrigeration application. The operation of parameters is done by means of the integrated ICAD MMI (fig. 2) and consists of:

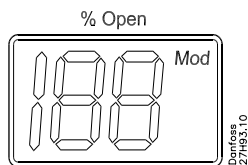


- Down arrow push button (fig. 2, pos. 1) decreases parameter number by 1 for each activation
- Enter push button (fig. 2, pos. 2)
 - Gives access to the **Parameter list** by keeping the push button activated for 2 seconds. A **Parameter list** is shown below (parameter **i08**):



- Gives access to change a value once the **Parameter list** has been accessed.
- Acknowledge and save change of value of a parameter.
- To exit from the **Parameter list** and return to the display of Opening Degree (OD) keep the push button activated for 2 seconds.

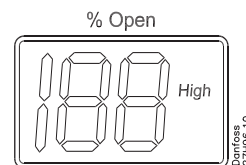
- Up arrow push button (fig. 2, pos. 3)
 - Increases parameter number by 1 for each activation
- Display (fig. 2, pos. 4)
 - Normally the Opening Degree (OD) 0 - 100 % of the valve is displayed. No activation of push buttons for 20 seconds means that the display will always show OD. Like below:



- Displays the parameter
- Displays the actual value of a parameter.

- Displays the status by means of text (fig. 2, pos. 4).
 - **Mod** represents that ICAD is positioning the ICM, ICMTS or CVE valve according to an analog input signal (Current or Voltage).
 - **Low** represents that ICAD is operating the ICM valve like an ON/OFF solenoid valve with low speed according to a digital input signal.
 - **Med** represents that ICAD is operating the ICM valve like an ON/OFF solenoid valve with medium speed according to a digital input signal.

- **High** represents that ICAD is operating the ICM valve like an ON/OFF solenoid valve with high speed according to a digital input signal. Like below:



Alarms

ICAD can handle and display different alarms.

If an alarm has been detected the display at ICAD (fig. 2) will alternate between showing actual alarm and present Opening Degree.

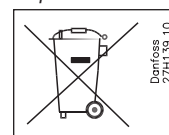
If more than one alarm is active at the same time only the alarm with the highest priority will appear. **A1** has the highest priority, **A9** the lowest.

Any active alarm will activate the Common Digital Alarm output (Normally Open).

All alarms will automatically reset themselves when they physically disappear.

Old alarms (alarms that have been active, but have physically disappeared again) can be found in parameter **i11**.

Disposal Note



The Product contains electrical components And may not be disposed together with domestic waste.

Equipment must be separate collected with Electrical and Electronic waste. According to Local and currently valid legislation.

Description	ICAD alarm text	Definition of event	Comments
No Valve type selected	A1	Alarm ON	At start-up A1 will be displayed
Controller fault	A2	Alarm ON	Internal fault inside electronics. Carry out: 1) Power OFF and Power ON If A2 still active. 2) Make a Reset to factory setting If A2 still active. Return ICAD to Danfoss
AI input error	A3	Alarm ON	Not active if i01 = 2, or i02 = 2 When i03 = 1 and AI A > 22 mA When i03 = 2 and AI A > 22 mA or AI A < 2 mA When i03 = 3 and AI A > 12 V When i03 = 4 and AI A > 12 V or AI A < 1 V
Low voltage of fail safe Supply	A4	Alarm ON	If 5 V < fail safe supply < 18 V. Enabled by i08
Check supply to ICAD	A5	Alarm ON	If supply voltage < 18 V
Calibration extended failed	A6	Alarm ON	Check valve type selected. Check presence of foreign body internally in valve
Internal temperature alarm	A7	Alarm ON	Temperature for stepper motor component too high. Ventilate/lower ambient ICAD temperature
	A8	Alarm ON	Temperature for stepper motor component too high. Ventilate/lower ambient ICAD temperature.
Valve locked	A9	Alarm ON	Only active if i16 = 1 If the valve is locked in more than 15 seconds. Valve stopped and hold position A9 flashing in display A9 alarm can only be reset by Power OFF/ON of ICAD

ENGLISH

Parameter list - Valid from: (i58:11, i59:39) and onwards



The first parameter to be entered shall be: **i26**

Description	ICAD parameter	Min	Max	Factory Setting	Stored	Unit	Pass word	Comments
OD (Opening degree)	-	0	100			%	-	ICM/ICMTS valve Opening Degree (CVE pressure setting) is displayed during normal operation. Running display value (see i01 , i05).
Main Switch	i01	1	2	1	✓	-	No	Internal main switch 1: Normal operation 2: Manual operation. Valve Opening Degree will be flashing. With the down arrow and the up arrow push buttons the OD can be entered manually.
Mode	i02	1	2	1	✓	-	No	Operation mode 1: Modulating – ICM, ICMTS & CVE positioning according to Analog Input (see i03) 2: ON/OFF - ICM only. Operating the ICM valve like an ON/OFF solenoid valve controlled via Digital Input. See also i09 . 3: Neutralzone / 3 point control - ICM only. Increase/Decrease Opening Degree by Digital Input. See fig. 9
AI signal	i03	1	4	2	✓	-	No	Type of AI signal from external controller 1: 0-20 mA 2: 4-20 mA 3: 0-10 V 4: 2-10 V
Speed In Modulating Mode Opening/closing speed In ON/OFF Mode Opening speed	i04	1	100	50/ 100	✓	-	No	Speed can be decreased. Max. speed is 100 % - Not active in manual operation (i01 = 2) For CVE the speed should not exceed 50 (factory setting) If i26 = 1 - 3 then factory setting =100 If i26 = 4 - 10 then factory setting =50 If the valve is opening and (i04 <= 33) or the valve is closing and (i14 <= 33) => Low is displayed. If the valve is opening and (33 < i04 <= 66) or the valve is closing and (33 < i14 <= 66) => Med is displayed. If the valve is opening and (i04 >= 67) or the valve is closing and (i14 >= 67) => High is displayed"
Automatic calibration	i05	0	2	0		-	No	Not active before i26 has been operated. Always auto reset to 0. CA will flash in the display during calibration, if Enter push button has been activated for two seconds 0: No Calibration 1: Normal forced calibration - CA flashing slowly 2: Extended calibration – CA flashing rapidly"
AO signal	i06	0	2	2	✓	-	No	Type of AO signal for ICM valve position 0: No signal 1: 0-20 mA 2: 4-20 mA
Failsafe	i07	1	4	1	✓	-	No	Define condition at power cut and fail safe supply is installed. 1: Close valve 2: Open Valve 3: Maintain valve position 4: Go to OD given by i12 "
Fail safe supply	i08	0	1	0	✓		Yes	Fail safe supply connected and enable of A4 alarm: 0: No 1: Yes
DI function	i09	1	2	1	✓		No	Define function when DI is ON (short circuited DI terminals) when i02 = 2 1: Open ICM valve (DI = OFF => Close ICM valve) 2: Close ICM valve (DI = OFF => Open ICM valve)
Password	i10	0	199	0		-	-	Enter number to access password protected parameters: i26 Password = 11
Old Alarms	i11	A1	A99	-		-	No	Old alarms will be listed with the latest shown first. Alarm list can be reset by means of activating down arrow and up arrow at the same time for 2 seconds.
OD at power cut.	i12	0	100	50	✓		No	Only active if i07 = 4 If fail safe supply is connected and power cut occurs, the valve will go to the specified OD.
Inverse operation	i13	0	1	0	✓		No	When i02 = 1 0: Increasing Analog Input signal => Increasing ICM Opening Degree 1: Increasing Analog Input signal => Decreasing ICM Opening Degree When i02 = 3 0: DI1 = ON, DI2 = OFF => Increasing valve Opening Degree. DI1 = OFF, DI2 = ON => Decreasing valve Opening Degree DI1 = DI2 = OFF => ICAD/ICM maintain current position DI1 = DI2 = ON => ICAD/ICM maintain current position 1: DI1 = ON, DI2 = OFF => Decreasing ICM Opening Degree DI1 = OFF, DI2 = ON => Increasing ICM Opening Degree DI1 = DI2 = OFF => ICAD/ICM maintain current position DI1 = DI2 = ON => ICAD/ICM maintain current position

to be continued...

ENGLISH

Parameter list
(continued)

Description	ICAD parameter	Min	Max	Factory Setting	Stored	Unit	Pass word	Comments
In ON/OFF Mode Closing speed	i14	0	100	50/ 100	✓	-	No	See i04 . Not applicable to CVE. If i26 = 1 - 3 then factory setting = 100 If i26 = 4 - 10 then factory setting = 50
Manual set point	i15	0	100	0			No	When i01 = 2, i15 determine the start up value.
Encoder operation	i16	0	1	1	✓		Yes	NB: Password protected. Password = 7 0: Encoder disabled. Means ICAD operation as ICAD 600A/ICAD 600A-TS/1200A without encoder 1: Encoder enabled
Forced closing when ICM valve Opening Degree < 3%	i17	0	1	0	✓	-	No	Enable/Disable forced closing. Not applicable to CVE. 0: When ICM valve Opening Degree < 3% it will be forced to close regardless of requested ICM valve Opening Degree 1: When ICM valve Opening Degree < 3% no forced to closing will take place
Valve configuration	i26	0	9	0	✓		Yes	NB: Password protected. Password = 11 0: No valve selected. Alarm A1 will become active. 1: ICM 20 with ICAD 600A / ICMTS 20 with ICAD 600A-TS 2: ICM 25 with ICAD 600A 3: ICM 32 with ICAD 600A 4: ICM 40 with ICAD 1200A 5: ICM 50 with ICAD 1200A 6: ICM 65 with ICAD 1200A 7: ICM 100 with ICAD 1200A 8: ICM 125 with ICAD 1200A 9: ICM 150 with ICAD 1200A 10: CVE pilot with ICAD 1200A

Service

Description	Valve Name	Min	Max	Factory Setting	Stored	Unit	Pass word	Comments
OD %	i50	0	100	-		%	-	ICM valve Opening Degree / CVE pressure setting
AI [mA]	i51	0	100	-		mA	-	AI signal
AI [V]	i52	0	100	-		V	-	AI signal
AO [mA]	i53	0	100	-		mA	-	A0 signal
DI	i54	0	1	-		-	-	DI signals. Depending of i02 If i02 = 2, one digits are shown. See fig. 8 0 : DI1 = OFF 1 : DI1 = ON If i02 = 3, two digits are shown. See fig. 9 00 : DI1 = OFF, DI2 = OFF 10 : DI1 = ON, DI2 = OFF 01 : DI1 = OFF, DI2 = ON 11 : DI1 = ON, DI2 = ON
DO Close	i55	0	1	-		-	-	DO Closed status. ON when OD < 3 %
DO Open	i56	0	1	-		-	-	DO Open status. ON when OD > 97 %
DO Alarm	i57	0	1	-		-	-	DO alarm status. ON when a Alarm is detected
Display mP SW ver.	i58	0	100	-		-	-	Software version for display microprocessor
Motor mP SW ver.	i59	0	100	-		-	-	Software version for motor microprocessor

Reset to factory setting:

1. Remove the power supply.
2. Activate down arrow and up arrow push buttons at the same time.
3. Connect the power supply.
4. Release down arrow and up arrow push buttons.
5. When the display on ICAD (fig. 2) is alternating between showing: **CA** and **A1** the factory resetting is complete.

DEUTSCH

Installation



Den ICAD nicht vor dem Schweißen installieren. Dies gilt für die elektrische und die mechanische Installation. Bitte beachten: Sobald der ICAD an 24 Vd.c. angeschlossen ist "brummt" der Motor! Dies hat keinen Einfluss auf die Funktion bzw. den Betrieb des ICAD.

Verwendung

ICAD 600A, ICAD 600A-TS und ICAD 1200A können zusammen mit folgenden Danfoss-Ventilen verwendet werden (Abb. 1, 5a und 5b).

ICAD 600A	ICAD 600A-TS	ICAD 1200A
ICM 20	ICM TS 20	ICM 40
ICM 25		ICM 50
ICM 32		ICM 65
		ICM 100
		ICM 125
		ICM 150
		CVE-Pilotventil

Elektrische Daten

Die Versorgungsspannung ist galvanisch vom Ein-/Ausgang getrennt.

Versorgungsspannung

24 V d.c. (Toleranzen; siehe Tabelle unten)
Last ICAD 600A, ICAD 600A-TS: 1,2 A
ICAD 1200A: 2,0 A



NUR 24 V d.c.

Bitte den Spannungsabfall im Kabel beachten.

Durch den Abstand zwischen eingesetztem Gleichstrom-Transformator und ICAD-Anschlusskasten wird ein Spannungsabfall auftreten. Der Kabelquerschnitt und die Größe des Gleichstrom-Transformators müssen so berechnet werden, dass die Spannung **am ICAD-Anschlusskasten***, immer, d. h. bei einem Stillstand und während des ICAD-Betriebs, innerhalb dieses Bereichs liegt:

Vorgefertigte ICAD-Kabellänge Bestell-Nr.	1,5 m		3 m		10 m		15 m	
	027H0426	027H0438	027H0427	027H0435				
Spannung ICAD-Klemme (600A/1200A) [V d.c.]	Min.	21	22	23	24			
	Max.	26,4						

* Die Messung nicht im ICAD durchführen.

Eigensichere Stromversorgung

24 V d.c. (Toleranzen; siehe Tabelle oben)
Last ICAD 600A, ICAD 600A-TS: 1,2 A
ICAD 1200A: 2,0 A

Analoger Eingang – Strom oder Spannung

Strom
0/4–20 mA
Widerstand: 200 Ω
Spannung
0/2–10 V d.c.
Widerstand: 10 kΩ

Analoger Ausgang

0/4–20 mA
Widerstand: ≤ 250 Ω

Digitaler Eingang – EIN/AUS-Eingang mit potenzialfreien Kontakten (Signal-/Telecom-Relais mit vergoldeten Kontakten werden empfohlen)

– verwendeter Spannungseingang
EIN: Kontaktwiderstand < 50 Ω
AUS: Kontaktwiderstand > 100 kΩ

Digitaler Ausgang – 3 Stk. NPN-Transistorausgang

Externe Versorgung: 5–24 V d.c. (Gleiche Versorgung wie für den ICAD kann verwendet werden. Bitte beachten, dass dann das galvanisch getrennte System zerstört wird.)

Widerstand: 50 Ω
Leistung: Max. 50 mA

Umgebungstemperaturbereich

-30 °C/+50 °C (-22 °F/122 °F)

Schutzart

IP 67 (~NEMA 6)

Elektrischer Anschluss

Der Anschluss an den ICAD erfolgt über M12-Stecker. Der ICAD verfügt über zwei integrierte M12-Stecker:

Versorgungsspannung: 4-poliger M12-Stecker
Steuersignale: 8-poliger M12-Stecker
Wenn der ICAD mit Kabeln bestellt wird beträgt die Kabellänge automatisch 1,5m! Wird eine andere Kabellänge benötigt wird der ICAD ohne Kabel (mit Steckern) bestellt und das gewünschte Kabel wird zusätzlich als Zubehör ausgewählt/wird (1,5 m) M12-Steckbuchsen: (Kabelsatz mit M12-Steckbuchsen ist in anderen Längen verfügbar)

Versorgungsspannungskabel mit 4-poligen M12-Steckbuchsen

3 x 0,34 mm² (3 x ~22 AWG) (Abb. 6)
I: Schwarz (+) 19–24 V d.c. eigensichere Stromversorgung (optional).
II: Weiß (+) 24 V d.c.
III: Braun (-) 24 V d.c.

Regelkabel mit 8-poligen M12-Steckbuchsen

7 x 0,25 mm² (7 x ~24 AWG) (Abb. 7)
A: Schwarz (-) Digitaler Ausgang
Sammelalarm
B: Braun (-) Digitaler Ausgang
ICM voll geöffnet
C: Rot (-) Digitaler Ausgang
ICM geschlossen
D: Orange (-) Masse
E: Gelb (+) Analoger Eingang
0/4–20 mA *)
F: Grün (+) Analoger Eingang 0/2–10 V/DI1 – Digitaler EIN/AUS-Eingang
G: Blau (+) Analoger Ausgang
0/4–20 mA *)

*) Wurde die Neutralzone bzw. 3-Punkt-Regelung gewählt (Parameter i02 = 3), dann dienen E und G als DI2 – Digitaler EIN/AUS-Eingang. Siehe Abb. 9.

Elektrische Installation

Allgemeine Vorgehensweise, wenn der ICAD 600A/ICAD 600 A-TS/1200A auf allen ICM-, ICMTS- und CVE-Ventilen installiert wird.

Alle erforderlichen elektrischen Anschlüsse vornehmen.

ICM-Ventil: Analoges oder digitales Betrieb
ICMTS-/CVE-Ventil: Nur analoges Betrieb

Abb. 6

- *Modulierende Regelung. Das Ventil wird über Danfoss-Regler vom Typ EKC/EKE (Abb. 7) oder über Steuergeräte von Drittanbietern (z. B. SPS) geregelt.*
 - Analoge Eingangssignale anschließen. Strom (mA) oder Spannung (V). Siehe **Parameterliste** für die Konfiguration der analogen Eingangssignale.
 - Gelb (+) und Orange (Masse) werden für den Stromeingang (mA) verwendet.
 - oder
 - Grün (+) und Orange (Masse) werden für den Spannungseingang (V) verwendet.
 - Blau (+) und Orange (Masse) werden für den Stromausgang (mA) verwendet (optional, nicht verpflichtend).

Abb. 6

- *Digitaler Betrieb – 7 verdrahtete Kabel (A–G) EIN/AUS-Betrieb mittels ICM-Motorventil. Das ICM-Ventil wird mithilfe eines digitalen potenzialfreien Kontakts geregelt.*
 - Digitale Eingangssignale anschließen (Abb. 8). Siehe **Parameterliste** für die Konfiguration der digitalen Eingangssignale.
 - Grün (+) und Orange (Masse) sind an einen potenzialfreien Kontakt angeschlossen.

Digitale Ausgangssignale sind optional, nicht zwingend erforderlich.

- Schwarz (-) und Orange (Masse) sind an ein Hilfsrelais für einen Sammelalarm angeschlossen.
- Braun (-) und Orange (Masse) sind an ein Hilfsrelais angeschlossen, das aktiviert wird wenn das ICM voll geöffnet ist.
- Rot (-) und Orange (Masse) sind an ein Hilfsrelais angeschlossen, das aktiviert wird wenn das ICM voll geschlossen ist.

- *Versorgungsspannung – 3 adriges Kabel (I, II, III) Der ICAD ist an eine normale Gleichspannungsversorgung von 24 V anzuschließen. Optional ist eine eigensichere Stromversorgung über eine Batterie oder USV (unterbrechungsfreie Stromversorgung) Wird der ICAD wie unten beschrieben unter Spannung gesetzt, ist er für die Konfiguration bereit. Siehe **Parameterliste**.*

Die ICAD-Konfiguration erfolgt unabhängig davon, ob der ICAD auf dem Ventil installiert wurde oder nicht.

Siehe **Mechanische Installation**.

– Weiß (+) und Braun (-) an eine Versorgungsspannung von 24 V d.c. anschließen (Abb. 6).

Eine eigensichere Stromversorgung ist optional (nicht zwingend erforderlich).

- Schwarz (+) und Braun (-) an eine eigensichere Stromversorgung anschließen.

Mechanische Installation

Allgemeine Vorgehensweise, wenn der ICAD 600A/ICAD 600 A-TS/1200A auf allen Ventilen installiert wird (Abb. 3).

- Einen 2,5-mm-Imbuschlüssel gegen den Uhrzeigersinn drehen und überprüfen, ob die drei Sockelschrauben vollständig gelöst sind.
- Den ICAD langsam oben auf das Ventil setzen.
- Die Magnetkupplung wird das ICM und den ICAD miteinander verbinden und in Position bringen.
- Den ICAD so positionieren, dass er einfach bedient werden kann..
- Das ICM und den ICAD mittels der drei Sockelschrauben und einem 2,5-mm-Imbuskantschlüssel fixieren



Durch etwaiges Lösen der Deckelschrauben wird die spezielle Feuchtigkeitabdichtung zerstört!!! spezielle Feuchtigkeitsdichtung wird beschädigt, wenn die Schrauben entfernt werden (Abb. 3, Pos. A)

Neutralzone/3-Punkt-Regelung (Abb. 9 – nur ICM)i02 = 3

Wenn i02 = 3, wird sowohl die Öffnungs- wie auch die Schliessgeschwindigkeit automatisch auf 10 gesetzt!

Sollten sich diese Werte als zu hoch oder niedrig erweisen können die Werte im Parameter i04(Öffnen) und i14 (Schliessen) angepasst werden! ist Geschwindigkeit definiert.

i13 = 1 (Inversbetrieb) ist aktiv.
i16 = 1 (aktivierter EncoderBetrieb).

i13 = 0 Normalbetrieb
DI1 = DI2 = AUS
ICAD/ICM behalten derzeitige Position bei
DI1 = DI2 = EIN
ICAD/ICM behalten derzeitige Position bei
DI1 = EIN, DI2 = AUS
ICAD vergrößert Öffnungsgrad
DI1 = AUS, DI2 = EIN
ICAD verringert Öffnungsgrad

i13 = 1 (Inversbetrieb)

DI1 = DI2 = AUS
ICAD behält derzeitige Position bei
DI1 = DI2 = EIN

ICAD behält derzeitige Position bei
DI1 = EIN, DI2 = AUS

ICAD verringert Öffnungsgrad
DI1 = AUS, DI2 = EIN

ICAD vergrößert Öffnungsgrad

* Externe Spannung (External voltage)

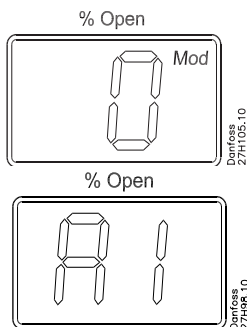
** Versorgung (Supply)

*** Regelung (Control)

DEUTSCH

Inbetriebnahme

Wird zum ersten Mal Spannung angelegt, zeigt das Display auf dem ICAD (Abb. 2) abwechselnd den aktuellen Öffnungsgrad und **A1** an.



A1 weist auf einen Alarm hin, der bedeutet: Kein Ventil ausgewählt. Siehe **Alarmer** für weitere Informationen.

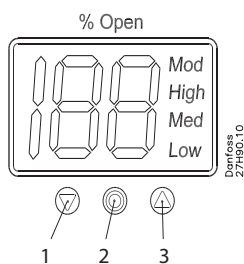
Wurde bei Parameter **i26** das richtige Ventil (siehe **Parameterliste**) angegeben, ist zu beachten, dass eine automatische Kalibrierung durchgeführt wird. Es ist nicht notwendig, eine weitere Kalibrierung bei Parameter **i05** durchzuführen.

Während der Kalibrierung blinkt „CA“ im Display auf.

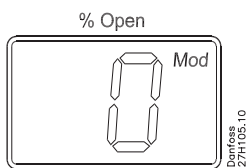
Der ICAD wird jedes Mal, wenn sich **das Ventil** schließt und 0 % erreicht, kurz, „CS“ anzeigen.

Allgemeine Bedienung

Der ICAD ist mit einer MMI (Benutzerschnittstelle) ausgerüstet, mit der verschiedene Parameter angezeigt und verändert werden können, um den ICAD und das entsprechende **Ventil** an die vorliegende Kälteanwendung anzupassen. Die Einstellung der Parameter erfolgt mithilfe der integrierten ICAD-MMI (Abb. 2). Sie besteht aus:

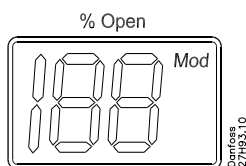


- Drucktaste „Pfeil nach unten“ (Abb. 2, Pos. 1) reduziert die Parameternummer bei jeder Aktivierung um 1.
- Drucktaste „Enter“ (Abb. 2, Pos. 2) – Erlaubt Zugriff auf die **Parameterliste**, indem sie zwei Sekunden lang gedrückt wird. Eine **Parameterliste** ist unten abgebildet (Parameter **i08**):



- Erlaubt es, einen Wert zu verändern, nachdem die **Parameterliste** aufgerufen wurde.
- Bestätigt und speichert die Wertänderung eines Parameters.
- Zum Verlassen der **Parameterliste** und zum Zurückkehren zum Display des Öffnungsgrads (OD), die Drucktaste zwei Sekunden lang gedrückt halten.

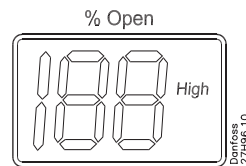
- Drucktaste „Pfeil nach oben“ (Abb. 2, Pos. 3) – Erhöht die Parameternummer bei jeder Aktivierung um 1.
- Display (Abb. 2, Pos. 4) – In der Regel wird der Öffnungsgrad (OD) des Ventils angezeigt (0 bis 100 %). Wenn die Drucktasten 20 Sekunden lang nicht betätigt werden, zeigt das Display den OD an. Siehe unten:



- Zeigt den Parameter.
- Zeigt den aktuellen Wert eines Parameters.

- Zeigt den Status mittels Text (Abb. 2, Pos. 4).
 - **Mod** bedeutet, dass der ICAD das ICM-, ICMTS- oder CVE-Ventil gemäß einem analogen Eingangssignal (Strom oder Spannung) positioniert.
 - **Low** bedeutet, dass der ICAD das ICM-Ventil wie ein EIN/AUS-Magnetventil mit mittlerer Drehzahl gemäß einem digitalen Eingangssignal betreibt.
 - **Med** bedeutet, dass der ICAD das ICM-Ventil wie ein EIN/AUS-Magnetventil mit mittlerer Drehzahl gemäß einem digitalen Eingangssignal betreibt.

- **High** bedeutet, dass der ICAD das ICM-Ventil wie ein EIN/AUS-Magnetventil mit hoher Drehzahl gemäß einem digitalen Eingangssignal betreibt. Siehe unten:



Alarmer

Der ICAD kann verschiedene Alarmer auslösen und anzeigen.

Wurde ein Alarm erkannt, zeigt das Display am ICAD (Abb. 2) abwechselnd den aktuellen Alarm und den derzeitigen Öffnungsgrad an.

Sind zur gleichen Zeit mehrere Alarmer aktiv, erscheint nur der Alarm mit der höchsten Priorität. **A1** hat die höchste, **A9** die niedrigste Priorität.

Jeder aktive Alarm aktiviert den digitalen Sammelalarmausgang (stromlos geöffnet).

Alle Alarmer führen einen automatischen Reset durch, wenn sie ausgeschaltet werden.

Alte Alarmer (Alarmer, die aktiv waren, aber wieder ausgeschaltet wurden) können unter Parameter **i11** eingesehen werden.

Entsorgungshinweis



Das Produkt enthält elektrische Komponenten und darf nicht zusammen mit Hausmüll entsorgt werden.

Geräte müssen gemäß den örtlichen und derzeit gültigen Vorschriften separat mit Elektro- und Elektronikschrott gesammelt werden.

Beschreibung	ICAD-Alarmtext	Definition des Zustands	Anmerkungen
Kein Ventiltyp ausgewählt	A1	Alarm EIN	Bei der Inbetriebnahme wird A1 angezeigt.
Reglerstörung	A2	Alarm EIN	Interne Störung in der Elektronik Vorgehensweise: 1) Stromversorgung aus- und wieder einschalten. Wenn A2 immer noch aktiv ist: 2) Reset auf die Werkseinstellung durchführen. Wenn A2 immer noch aktiv ist: Den ICAD bei Danfoss umtauschen.
Fehler am analogen Eingang (AI)	A3	Alarm EIN	Nicht aktiv, wenn i01 = 2 oder i02 = 2 Wenn i03 = 1 und AI A > 22 mA Wenn i03 = 2 und AI A > 22 mA oder AI A < 2 mA Wenn i03 = 3 und AI A > 12 V Wenn i03 = 4 und AI A > 12 V oder AI A < 1 V
Niedrige Spannung der eigensicheren Stromversorgung	A4	Alarm EIN	Wenn 5 V < eigensichere Stromversorgung < 18 V, durch i08 aktiviert
Stromversorgung des ICAD überprüfen	A5	Alarm EIN	Wenn Versorgungsspannung < 18 V
Erweiterte Kalibrierung fehlgeschlagen	A6	Alarm EIN	Ausgewählten Ventiltyp überprüfen. Sicherstellen, dass sich im Ventil keine Fremdkörper befinden..
Innentemperaturalarm	A7	Alarm EIN	Temperatur für Schrittmotorkomponente ist zu hoch. Entlüften bzw. Umgebungstemperatur des ICAD verringern.
	A8	Alarm EIN	Temperatur für Schrittmotorkomponente ist zu hoch. Entlüften bzw. Umgebungstemperatur des ICAD verringern.
Ventil ist verriegelt	A9	Alarm EIN	Nur aktiv, wenn i16 = 1 Wenn das Ventil mehr als 15 Sekunden lang verriegelt ist: Das Ventil wird abgeschaltet und bleibt in der aktuellen Position. A9 blinkt im Display. A9 -Alarm kann nur zurückgesetzt werden, indem die Stromversorgung des ICAD aus- und wieder eingeschaltet wird.

DEUTSCH

Parameterliste – gilt ab: (i58:11, i59:39) und weiter



Der erste Parameter, der eingegeben werden muss, ist **i26**.

Beschreibung	ICAD-Parameter	Min.	Max.	Werkseinstellung	Gespeichert	Einheit	Passwort	Anmerkungen
OD (Öffnungsgrad)	-	0	100			%	-	Der Ventilöffnungsgrad des ICM-/ICMTS-Ventils (CVE-Druckeinstellung) wird während des normalen Betriebs angezeigt. Laufender Display-Wert (siehe i01 , i05)
Hauptschalter	i01	1	2	1	✓	-	Nein	Interner Hauptschalter 1: Normaler Betrieb 2: Handbedienung. Der Ventilöffnungsgrad blinkt auf. Mit den Drucktasten „Pfeil nach unten“ und „Pfeil nach oben“ kann der OD manuell eingegeben werden.
Modus	i02	1	2	1	✓	-	Nein	Betriebsmodus 1: Modulation – Positionierung des ICM, ICMTS und CVE gemäß dem analogen Eingang (siehe i03). 2: EIN/AUS – nur ICM. Das ICM-Ventil wird wie ein EIN/AUS-Magnetventil betrieben und über den digitalen Eingang geregelt. Siehe auch i09 . 3: Neutralzone/3-Punkt-Regelung – nur ICM. Vergrößern/Verringern des Öffnungsgrads über den digitalen Eingang. Siehe Abb. 9.
AI-Signal	i03	1	4	2	✓	-	Nein	Art des AI-Signals vom externen Regler 1: 0–20 mA 2: 4–20 mA 3: 0–10 V 4: 2–10 V
Geschwindigkeit Im modulierenden Betrieb Öffnungs-/Schließdrehzahl Im EIN/AUS-Betrieb Öffnungsdrehzahl	i04	1	100	50/100	✓	-	Nein	Die Geschwindigkeit kann verringert werden. Die max. Geschwindigkeit ist 100 % – nicht aktiv im Handbetrieb (i01 = 2). Beim CVE sollte die Geschwindigkeit nicht höher sein als 50 (Werkseinstellung). Wenn i26 = 1–3, dann Werkseinstellung = 100 Wenn i26 = 4–10, dann Werkseinstellung = 50 Wenn sich das Ventil öffnet und i04 ≤ 33 oder sich das Ventil schließt und i14 ≤ 33 => „Low“ wird angezeigt. Wenn sich das Ventil öffnet und 33 < i04 ≤ 66 oder sich das Ventil schließt und 33 < i14 ≤ 66 => „Med“ wird angezeigt. Wenn sich das Ventil öffnet und i04 ≥ 67 oder sich das Ventil schließt und i14 ≥ 67 => „High“ wird angezeigt.
Automatische Kalibrierung	i05	0	2	0		-	Nein	Nicht aktiv, bevor nicht i26 parametrierung wurde. Anzeige wird immer automatisch auf 0 zurück gesetzt! Während der Kalibrierung blinkt „CS“ im Display auf, wenn die Drucktaste „Enter“ zwei Sekunden lang gedrückt wurde. 0: Keine Kalibrierung 1: Normal erzwungene Kalibrierung – „CS“ blinkt langsam 2: Erweiterte Kalibrierung – „CS“ blinkt schnell
AO-Signal	i06	0	2	2	✓	-	Nein	Art des AO-Signals für die ICM-Ventilposition 0: Kein Signal 1: 0–20 mA 2: 4–20 mA
Eigensichere Stromversorgung	i07	1	4	1	✓	-	Nein	Soll-Zustand bei Stromausfall definieren Bedingung: eigensichere Stromversorgung wird vorhanden. 1: Ventil schließen 2: Ventil öffnen 3: Ventilposition beibehalten 4: Den durch i12 gegebenen OD umsetzen.
Eigensichere Stromversorgung	i08	0	1	0	✓		Ja	Eigensichere Stromversorgung ist angeschlossen und ermöglicht A4-Alarm: 0: Nein 1: Ja
DI-Funktion	i09	1	2	1	✓		Nein	Funktion definieren, wenn DI auf EIN gestellt ist (kurzgeschlossene DI-Klemmen) und i02 = 2 1: ICM-Ventil öffnen (DI = AUS => ICM-Ventil schließen) 2: ICM-Ventil schließen (DI = AUS => ICM-Ventil öffnen)
Passwort	i10	0	199	0		-	-	Nummer eingeben, um auf passwortgeschützte Parameter zuzugreifen: i26 Passwort = 11
Alte Alarme	i11	A1	A99	-		-	Nein	Alte Alarme werden aufgelistet, wobei der zuletzt ausgelöste oben steht. Die Alarmliste kann zurückgesetzt werden, indem die Drucktasten „Pfeil nach unten“ und „Pfeil nach oben“ gleichzeitig zwei Sekunden lang gedrückt werden.
Öffnungsgrad bei Stromausfall	i12	0	100	50	✓		Nein	Nur aktiv, wenn i07 = 4 Ist eine eigensichere Stromversorgung angeschlossen und tritt ein Stromausfall ein, öffnet sich das Ventil um den angegebenen OD.
Inversbetrieb	i13	0	1	0	✓		Nein	Wenn i02 = 1 0: Erhöhen des analogen Eingangssignals => Vergrößern des ICM-Öffnungsgrads 1: Erhöhen des analogen Eingangssignals => Verringern des ICM-Öffnungsgrads Wenn i02 = 3 0: DI1 = EIN, DI2 = AUS => Vergrößerung des Ventilöffnungsgrads DI1 = AUS, DI2 = EIN => Verringerung des Ventilöffnungsgrads DI1 = DI2 = AUS => ICAD/ICM behalten derzeitige Position bei DI1 = DI2 = EIN => ICAD/ICM behalten derzeitige Position bei 1: DI1 = EIN, DI2 = AUS => Verringerung des ICM-Öffnungsgrads DI1 = AUS, DI2 = EIN => Vergrößerung des ICM-Öffnungsgrads DI1 = DI2 = AUS => ICAD/ICM behalten derzeitige Position bei DI1 = DI2 = EIN => ICAD/ICM behalten derzeitige Position bei

Fortsetzung nächste Seite

DEUTSCH

Parameterliste
(Fortsetzung)

Beschreibung	ICAD-Parameter	Min.	Max.	Werkseinstellung	Gespeichert	Einheit	Passwort	Anmerkungen
Im EIN/AUS-Betrieb Schließdrehzahl	i14	0	100	50/100	✓	–	Nein	Siehe i04. Gilt nicht für das CVE. Wenn i26 = 1–3, dann Werkseinstellung = 100 Wenn i26 = 4–10, dann Werkseinstellung = 50
Manueller Sollwert	i15	0	100	0			Nein	Wenn i01 = 2, bestimmt i15 den Startwert.
Encoder-Betrieb	i16	0	1	1	✓		Ja	Anmerkung: Passwortgeschützt. Passwort = 7 0: Encoder deaktiviert. Das bedeutet, der ICAD wird als ICAD 600A/ICAD 600 A-TS/1200A ohne Encoder betrieben. 1: Encoder aktiviert.
Zwangsschließung, wenn ICM-Ventilöffnungsgrad < 3 %	i17	0	1	0	✓	–	Nein	Aktivieren/Deaktivieren der Zwangsschließung. Gilt nicht für das CVE. 0: Wenn der ICM-Ventilöffnungsgrad unter 3 % liegt, wird ungeachtet des erwünschten ICM-Ventilöffnungsgrads eine Zwangsschließung durchgeführt. 1: Wenn der ICM-Ventilöffnungsgrad unter 3 % liegt, erfolgt keine Schließung.
Ventilkonfiguration	i26	0	9	0	✓		Ja	Anmerkung: Passwortgeschützt. Passwort = 11 0: Kein Ventil gewählt. Alarm A1 wird aktiviert. 1: ICM 20 mit ICAD 600 A/ICM TS 20 mit ICAD 600A-TS 2: ICM 25 mit ICAD 600A 3: ICM 32 mit ICAD 600A 4: ICM 40 mit ICAD 1200A 5: ICM 50 mit ICAD 1200A 6: ICM 65 mit ICAD 1200A 7: ICM 100 mit ICAD 1200A 8: ICM 125 mit ICAD 1200A 9: ICM 150 mit ICAD 1200A 10: CVE-Pilotventil mit ICAD 1200A

Wartung

Beschreibung	Ventilbezeichnung	Min.	Max.	Werkseinstellung	Gespeichert	Einheit	Passwort	Anmerkungen
OD %	i50	0	100	–		%	–	ICM-Ventilöffnungsgrad/CVE-Druckeinstellung
AI [mA]	i51	0	100	–		mA	–	AI-Signal
AI [V]	i52	0	100	–		V	–	AI-Signal
AO [mA]	i53	0	100	–		mA	–	AO-Signal
DI	i54	0	1	–		–	–	DI-Signale, abhängig von i02 Wenn i02 = 2, wird eine Zahl angezeigt. Siehe Abb. 8. 0 : DI1 = AUS 1 : DI1 = EIN Wenn i02 = 3, werden zwei Zahlen angezeigt. Siehe Abb. 9. 00 : DI1 = AUS, DI2 = AUS 10 : DI1 = EIN, DI2 = AUS 01 : DI1 = AUS, DI2 = EIN 11 : DI1 = EIN, DI2 = EIN
DO geschlossen	i55	0	1	–		–	–	DO-Status „geschlossen“ Nur EIN wenn OD < 3 %
DO offen	i56	0	1	–		–	–	DO-Status „geöffnet“ Nur EIN wenn OD > 97 %
DO-Alarm	i57	0	1	–		–	–	DO-Alarmstatus EIN, wenn ein Alarm erkannt wird
Display MP SW-Ver.	i58	0	100	–		–	–	Softwareversion für Display-Mikroprozessor
Motor MP SW-Ver.	i59	0	100	–		–	–	Softwareversion für Motor-Mikroprozessor

Auf Werkseinstellungen zurücksetzen:

1. Spannungsversorgung abschalten.
2. Drucktasten „Pfeil nach unten“ und „Pfeil nach oben“ gleichzeitig drücken.
3. Spannungsversorgung anschließen.
4. Drucktasten „Pfeil nach unten“ und „Pfeil nach oben“ loslassen.
5. Wenn das ICAD-Display (Abb. 2) abwechselnd **CA** und **A1** anzeigt, sind die Werkseinstellungen wiederhergestellt.

Installation



N'installez pas l'ICAD avant le soudage. Cela s'applique pour les connexions électriques et l'installation mécanique. Notez qu'un ICAD connecté à une alimentation 24 V c.c. émet un bruit acoustique lorsqu'il se trouve à l'arrêt. Cela n'a pas d'influence sur le fonctionnement/l'actionnement de l'ICAD.

Utilisation

Les ICAD 600A, ICAD 600A-TS et ICAD 1200A peuvent être utilisés avec les vannes Danfoss suivantes (fig. 1, 5a et 5b).

ICAD 600A	ICAD 600A-TS	ICAD 1200A
ICM 20	ICM TS 20	ICM 40
ICM 25		ICM 50
ICM 32		ICM 65
		ICM 100
		ICM 125
		ICM 150
		Vanne pilote CVE

Données électriques

La tension d'alimentation est isolée galvaniquement entre l'entrée/la sortie.

Tension d'alimentation

24 V c.c. (Tolérances ; voir tableau ci-dessous)
Charge ICAD 600A, ICAD 600A-TS : 1,2 A
ICAD 1200A : 2,0 A



24 V c.c. UNIQUEMENT
Attention à la chute de tension dû à la longueur des câbles

La distance entre le transformateur en CC utilisé et la boîte à bornes de l'ICAD peut entraîner une chute de tension. La section des câbles et la taille du transformateur en CC doivent être calculées de sorte que la tension **au niveau de la boîte à bornes de l'ICAD***, Aussi bien l'arrêt qu'en cours de fonctionnement de l'ICAD, soit toujours comprise dans cette plage :

Longueur de câble pré-définie de l'ICAD N° de code	1,5 m	3 m	10 m	15 m
Tension à la borne de l'ICAD (600A/1200A) [V c.c.]	Min. 21 Max. 26,4	22	23	24

* Ne pas effectuer les mesures à l'intérieur de l'ICAD proprement dit.

Alimentation de sécurité

24 V c.c. (Tolérances ; voir le tableau ci-dessous)
Charge ICAD 600A, ICAD 600A-TS : 1,2 A
ICAD 1200A : 2,0 A

Entrée analogique : intensité ou tension

Intensité
0/4 - 20 mA
Charge : 200 Ω

Tension
0/2 - 10 Vcc
Charge : 10 kΩ

Sortie analogique
0/4 - 20 mA
Charge : ≤ 250 Ω

Entrée numérique : entrée numérique TOUT OU RIEN au moyen de contacts libres de potentiel (relais de signalisation/télécommunication avec contacts plaqués or recommandés) – Tension d'entrée utilisée
MARCHÉ : Impédance de contact < 50 Ω
ARRÊT : Impédance de contact > 100 kΩ

Sortie numérique : 3 pcs. Sortie de transistor NPN
Alimentation externe : 5 - 24 V c.c. (il est possible d'utiliser la même alimentation que pour l'ICAD mais le système isolé galvaniquement sera alors hors service).

Charge de sortie : 50 Ω
Charge : Max. 50 mA

Plage de température (ambiante)

-30 °C/+50 °C (-22 °F/122 °F)

Boîtier

IP 67 (~NEMA 6).

Raccordement électrique

Le raccordement à l'ICAD s'effectue au moyen de connecteurs M12. L'ICAD comporte deux connecteurs mâles M12 intégrés :

Alimentation : connecteur mâle M12 4 pôles
Signaux de commande : connecteur mâle M12 8 pôles.

Si l'ICAD est fourni avec des câbles (1,5 m (60 in)) Connecteurs femelles M12 : (jeu de câbles avec connecteurs femelles M12 disponible dans d'autres longueurs)

Câble d'alimentation avec connecteur femelle M12 4 pôles

3 x 0,34 mm² (3 x ~22 AWG) (fig. 6)
I : noir (+) Alimentation de sécurité 19 - 24 Vcc (facultatif).
II : Blanc (+) 24 V c.c.
III : Marron (-) 24 V c.c.

Câble de régulation avec connecteur femelle M12 8 pôles

7 x 0,25 mm² (7 x ~24 AWG) (fig. 7)
A : noir (-) Sortie numérique. Alarme commune.
B : Marron (-) Sortie numérique. ICM totalement ouverte.
C : rouge (-) Sortie numérique. ICM totalement fermée.
D : orange (-) GND - Masse
E : Jaune (+) Entrée analogique 0/4-20 mA. *)
F : Vert (+) Entrée analogique 0/2-10V/DI1 : entrée numérique (DI) tout ou rien.
G : Bleu (+) Sortie analogique 0/4-20 mA. *)

*) Si l'option Zone neutre/régulation 3 points est sélectionnée (paramètre i02 = 3), E et G sont utilisées en tant que DI2 : entrée numérique TOUT OU RIEN. Consultez la Fig. 9.

Installation électrique

Procédure générale pour les ICAD 600A/ICAD 600A-TS/1200A installés sur toutes les vannes ICM, ICMTS et CVE.

Toutes les connexions électriques nécessaires doivent être effectuées.

Vanne ICM : fonctionnement analogique ou numérique
Vanne CVE/ICMTS : analogique uniquement

Fig. 7

- Régulation de modulation. Vanne commandée à partir du système électronique Danfoss de type EKC/EKE (fig. 7) ou à partir d'un autre système électronique (tel que l'API).
- Connectez les signaux d'entrée analogique. Intensité (mA) ou Tension (V). Consultez la **liste des paramètres** pour la configuration des signaux d'entrée analogique.
- Les bornes jaune (+) et orange (GND) sont utilisées pour l'entrée d'intensité (mA).
ou
- Les bornes verte (+) et orange (GND) sont utilisées pour l'entrée de tension (V).
- Les bornes bleue (+) et orange (GND) sont utilisées pour la sortie d'intensité (mA) (facultatif).

Fig. 8

- Fonctionnement numérique : câble à 7 fils (A-G), fonctionnement tout ou rien de l'électrovanne ICM. La vanne ICM doit être régulée au moyen d'un contact numérique libre de potentiel.
- Connectez les signaux d'entrée numérique (Fig. 8). Consultez la **liste des paramètres** pour la configuration des signaux d'entrée numérique.
- Les bornes verte (+) et orange (GND) sont connectées à un contact libre de potentiel.

Les signaux de sortie numérique sont facultatifs.

- Les bornes noire (-) et orange (GND) sont connectées au relais auxiliaire pour l'alarme commune.

- Les bornes marron (-) et orange (GND) sont connectées à un relais auxiliaire indiquant que l'ICM est totalement ouverte.

- Les bornes rouge (-) et orange (GND) sont connectées à un relais auxiliaire indiquant que l'ICM est totalement fermée.

- Tension d'alimentation : câble à 3 connexions (I, II, III). L'ICAD doit être connecté à une alimentation 24 V c.c. normale. Une alimentation de sécurité en option est possible au moyen d'une batterie ou d'une alimentation sans interruption (onduleur). Lorsque l'ICAD est placé sous tension comme décrit ci-dessous, il est prêt à être configuré. Consultez la **liste des paramètres**.

La configuration de l'ICAD est possible qu'il soit installé ou non sur la vanne.

Voir Installation mécanique.

- Connectez les bornes blanche (+) et marron (-) à une tension d'alimentation 24 Vcc (Fig. 6).

Alimentation de sécurité (facultatif).

- Connectez les bornes noire (+) et marron (-) à une alimentation de sécurité.

Installation mécanique

Procédure générale pour les ICAD 600A/ICAD 600A-TS/1200A installés sur toutes les vannes (fig. 3).

- Vérifiez que les trois vis de réglage sont complètement dévissées (sens antihoraire) à l'aide d'une clé hexagonale de 2,5 mm.
- Montez l'ICAD en l'abaissant lentement sur le haut de la vanne.
- Le couplage magnétique attire l'ICAD sur la vanne et assure un positionnement correct.
- Poussez l'ICAD en place.
- Fixez l'ICAD à la vanne à l'aide des trois vis de réglage, en utilisant une clé hexagonale de 2,5 mm.



La bague d'étanchéité spéciale sera endommagée si les vis sont retirées (fig. 3, pos. A)

Zone neutre/régulation 3 points (fig. 9 - ICM uniquement)

i02 = 3
Lorsque i02 = 3 les réglages d'usine de i04 (ouverture) et de i14 (fermeture) sont définis sur 10.
Lorsque i02 = 3, les vitesses données par i04 (ouverture) et i14 (fermeture) sont actives.

i13 (fonctionnement inverse) est actif
i16 = 1 (activation de l'encodeur) est actif.

i13 = 0 (fonctionnement direct)
DI1 = DI2 = ARRÊT
Maintien de la position actuelle de l'ICAD/ICM
DI1 = DI2 = MARCHÉ
Maintien de la position actuelle de l'ICAD/ICM
DI1 = MARCHÉ, DI2 = ARRÊT
Augmentation du degré d'ouverture de l'ICAD
DI1 = ARRÊT, DI2 = MARCHÉ
Réduction du degré d'ouverture de l'ICAD

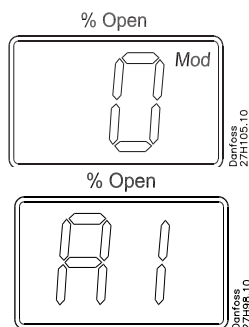
i13 = 1 (fonctionnement inverse)
DI1 = DI2 = ARRÊT
Maintien de la position actuelle de l'ICAD
DI1 = DI2 = ON
Maintien de la position actuelle de l'ICAD
DI1 = MARCHÉ, DI2 = ARRÊT
Réduction du degré d'ouverture de l'ICAD
DI1 = ARRÊT, DI2 = MARCHÉ
Augmentation du degré d'ouverture de l'ICAD

* Tension externe (External voltage)
** Alimentation (Supply)
*** Régulation (Control)

FRANÇAIS

Démarrage

Lorsque l'ICAD est placé sous tension pour la première fois, il affiche en alternance (Fig. 2) : Degré d'ouverture réel et **A1**.



A1 signale une alarme qui donne les informations suivantes : aucune vanne sélectionnée. Voir **Alarmes** pour plus d'informations.

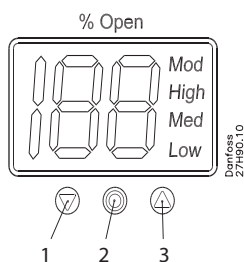
Notez que lorsque la vanne correcte est entrée dans le paramètre **i26** (consultez la **liste des paramètres**), un calibrage automatique a lieu. Aucun autre calibrage n'est nécessaire pour le paramètre **i05**.

Tout au long de l'étalonnage, la mention CA clignote à l'écran.

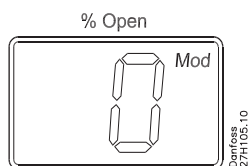
L'ICAD affiche brièvement la mention CS chaque fois que la vanne va se fermer et atteindre 0 %.

Fonctionnement général

L'ICAD est équipé d'une HMI (interface homme-machine) permettant de consulter et de modifier différents paramètres pour adapter l'ICAD et la vanne correspondante à l'application de réfrigération réelle. Le réglage des paramètres s'effectue au moyen des boutons suivants de la HMI intégrée de l'ICAD (fig. 2) :

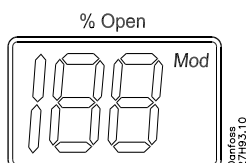


- Bouton Flèche vers le bas (fig. 2, pos. 1) Permet d'augmenter le paramètre d'une unité à chaque pression
- Bouton Entrée (fig. 2, pos. 2) – Permet d'accéder à la **liste des paramètres** en maintenant le bouton enfoncé pendant 2 secondes. Un exemple de **liste des paramètres** est donné ci-dessous (paramètre **i08**) :



- Permet de modifier une valeur après avoir accédé à la **liste des paramètres**.
- Permet de valider et d'enregistrer la modification de la valeur d'un paramètre.
- Pour quitter la **liste des paramètres** et revenir à l'écran d'affichage du degré d'ouverture (OD), maintenez le bouton enfoncé pendant 2 secondes.

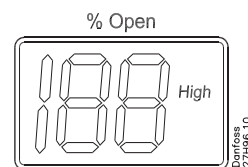
- Bouton Flèche vers le haut (fig. 2, pos. 3) – Augmente la valeur du paramètre d'une unité à chaque pression.
- Affichage (fig. 2, pos. 4) – Affiche, normalement, le degré d'ouverture (OD) de 0-100 % de la vanne. En l'absence de pression sur les boutons pendant 20 secondes, l'écran affiche constamment l'OD, comme illustré ci-dessous :



- Affiche le paramètre.
- Affiche la valeur réelle d'un paramètre.

- Affiche l'état en toutes lettres (Fig. 2, pos. 4).
- **Mod** signifie que l'ICAD positionne la vanne ICM, ICMTS ou CVE en fonction d'un signal d'entrée analogique (intensité ou tension).
- **Low** signifie que l'ICAD fait fonctionner la vanne ICM comme une électrovanne tout ou rien à basse vitesse en fonction d'un signal d'entrée digitale.
- **Med** signifie que l'ICAD fait fonctionner la vanne ICM comme une électrovanne tout ou rien à vitesse moyenne en fonction d'un signal d'entrée digitale.

- **High** signifie que l'ICAD fait fonctionner la vanne ICM comme une électrovanne tout ou rien à haute vitesse en fonction d'un signal d'entrée digitale, comme illustré ci-dessous :



Alarmes

L'ICAD peut gérer et afficher différentes alarmes.

Si une alarme a été détectée, l'ICAD (Fig. 2) affiche alternativement l'alarme réelle et le degré d'ouverture actuel.

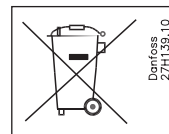
Si plusieurs alarmes sont actives simultanément, seule l'alarme de priorité la plus élevée s'affiche. **A1** a la priorité la plus élevée, **A9** la plus basse.

Toute alarme active enclenche la sortie d'alarme numérique Tout ou rien commune (normalement ouverte).

Toutes les alarmes se réinitialisent automatiquement lorsqu'elles disparaissent physiquement.

Les anciennes alarmes (celles qui ont été actives mais ont à nouveau disparu physiquement) sont disponibles sous le paramètre **i11**.

Remarque sur la mise au rebut



Le produit contient des composants électriques et ne peut pas être mis au rebut avec les ordures ménagères.

L'équipement doit être trié avec les déchets électriques et électroniques. La législation locale en vigueur doit être respectée.

du marché	Texte d'alarme ICAD	Définition d'un événement	Commentaires
Aucun type de vanne sélectionné	A1	Alarme activée	Au démarrage, A1 est affiché
Défaut du régulateur	A2	Alarme activée	Défaut interne des éléments électroniques. Mesures : 1) Éteignez et rallumez. Si A2 est toujours activée. 2) Réinitialisez les réglages d'usine. Si A2 est toujours activée, renvoyez l'ICAD à Danfoss
Erreur d'entrée AI	A3	Alarme activée	Inactive si i01 = 2 ou i02 = 2 Lorsque i03 = 1 et AI A > 22 mA Lorsque i03 = 2 et AI A > 22 mA ou AI A < 2 mA Lorsque i03 = 3 et AI A > 12 V Lorsque i03 = 4 et AI A > 12 V ou AI A < 1 V
Basse tension de l'alimentation de sécurité	A4	Alarme activée	Si 5 V < alimentation de sécurité < 18 V. Activée par i08
Vérifiez l'alimentation de l'ICAD	A5	Alarme activée	Si la tension d'alimentation < 18 V
Échec de l'étalonnage étendu	A6	Alarme activée	Vérifiez le type de vanne sélectionné Vérifiez l'absence de corps étrangers à l'intérieur de la vanne.
Alarme de température interne	A7	Alarme activée	Température des composants du moteur pas à pas trop élevée. Ventilez pour diminuer la température ambiante de l'ICAD.
	A8	Alarme activée	Température des composants du moteur pas à pas trop élevée. Ventilez pour diminuer la température ambiante de l'ICAD.
Vanne verrouillée	A9	Alarme activée	Uniquement active si i16 = 1 Si la vanne est verrouillée pendant plus de 15 secondes. La vanne est arrêtée et maintenue en position. A9 clignote sur l'affichage L'alarme A9 peut uniquement être réinitialisée par le Marche/Arrêt de l'ICAD

FRANÇAIS

Liste des paramètres. Valable à partir de (i58:11, i59:39) et au-delà



Le premier paramètre entré doit être : **i26**

du marché	Paramètre ICAD	Min.	Max.	Réglage d'usine	Enregistré	Unité	Mot de passe	Commentaires
OD (degré d'ouverture)	-	0	100			%	-	Le degré d'ouverture de la vanne ICM/ICMTS (paramètre de pression CVE) s'affiche en mode de fonctionnement normal. Valeur affichée pendant le fonctionnement (voir i01, i05).
Interrupteur principal	i01	1	2	1	✓	-	Non	Sectionneur principal interne 1 : fonctionnement normal 2 : fonctionnement manuel. Le degré d'ouverture de la vanne clignotera. Il est possible de saisir le degré d'ouverture manuellement à l'aide des boutons Flèche vers le haut et Flèche vers le bas.
Mode	i02	1	2	1	✓	-	Non	Mode de fonctionnement 1 : Modulation : position de la vanne ICM, l'ICMTS et CVE en fonction de l'entrée analogique (voir i03) 2 : MARCHE/ARRÊT - ICM uniquement. Fonctionnement de la vanne ICM comme électrovanne MARCHE/ARRÊT régulée par entrée digitale. Voir également i09 . 3 : Zone neutre/régulation 3 points - ICM uniquement. Augmentation/réduction du degré d'ouverture par entrée digitale. Voir fig. 9
Signal d'entrée AI en tension	i03	1	4	2	✓	-	Non	Type de signal d'entrée analogique (AI) du contrôleur externe 1 : 0-20 mA 2 : 4-20 mA 3 : 0-10 V 4 : 2-10 V
Vitesse En mode modulation Vitesse d'ouverture/ fermeture En mode tout ou rien Vitesse d'ouverture	i04	1	100	50/ 100	✓	-	Non	La vitesse peut être réduite. La vitesse max. est de 100 %. Inactive en mode de fonctionnement manuel (i01 = 2) Pour la vanne CVE, la vitesse ne doit pas dépasser 50 (réglage d'usine) Si i26 = 1 - 3, alors le réglage d'usine = 100 Si i26 = 4 - 10, alors le réglage d'usine = 50 Si la vanne s'ouvre et (i04 <= 33) ou si la vanne se ferme et (i14 <= 33) => Low s'affiche à l'écran. Si la vanne s'ouvre et (33 < i04 <= 66) ou si la vanne se ferme et (33 < i14 <= 66) => Med s'affiche à l'écran. Si la vanne s'ouvre et (i04 >= 67) ou si la vanne se ferme et (i14 >= 67) => High s'affiche à l'écran.
Étalonnage automatique	i05	0	2	0		-	Non	Inactif avant utilisation de i26 . Réinitialisation automatique toujours à 0. CA clignote à l'écran pendant le calibrage si le bouton Entrée a été enfoncé pendant deux secondes. 0 : aucun calibrage 1 : calibrage forcé normal - CA clignote lentement 2 : Étalonnage étendu - CA clignote rapidement
Signal AO	i06	0	2	2	✓	-	Non	Type de signal A0 pour position de la vanne ICM 0 : aucun signal 1 : 0-20 mA 2 : 4-20 mA
Sécurité	i07	1	4	1	✓	-	Non	Définissez les conditions en cas de coupure de courant ; l'alimentation de sécurité est installée. 1 : fermer la vanne 2 : ouvrir la vanne 3 : maintenir la vanne en position 4 : passer au degré d'ouverture donné par i12 "
Alimentation de sécurité	i08	0	1	0	✓		oui	Alimentation de sécurité raccordée et activation de l'alarme A4 : 0 : Non 1 : oui
Fonction DI	i09	1	2	1	✓		Non	Définition de la fonction lorsque l'entrée digitale (DI) est sur MARCHE (bornes DI court-circuitées) lorsque i02 = 2 1 : Ouvrir la vanne ICM (DI = ARRÊT => Fermer la vanne ICM) 2 : Fermer la vanne ICM (DI-entrée numérique = OFF-Arrêt => Ouvrir la vanne ICM)
Mot de passe	i10	0	199	0		-	-	Entrez un chiffre pour accéder aux paramètres protégés par mot de passe : i26 Mot de passe = 11
Mémorisation des alarmes	i11	A1	A99	-		-	Non	Les anciennes alarmes seront répertoriées avec la plus récente affichée en premier. La liste d'alarmes peut être réinitialisée en enfonçant simultanément les flèches bas et haut pendant 2 secondes.
OD lors d'une coupure de courant.	i12	0	100	50	✓		Non	Uniquement actif si i07 = 4 Si l'alimentation de sécurité est raccordée et si une coupure de courant survient, la vanne passe au degré d'ouverture spécifié.
Fonctionnement inverse	i13	0	1	0	✓		Non	Lorsque i02 = 1 0 : Augmentation du signal d'entrée analogique => Augmentation du degré d'ouverture de l'ICMTS 1 : Réduction du signal d'entrée analogique => Réduction du degré d'ouverture de l'ICMTS Lorsque i02 = 3 0 : DI1 = MARCHE, DI2 = ARRÊT => Augmentation du degré d'ouverture de la vanne. DI1 = ARRÊT, DI2 = MARCHE => Réduction du degré d'ouverture de la vanne DI1 = DI2 = ARRÊT => Maintien de la position actuelle de l'ICAD/ICMTS DI1 = DI2 = MARCHE => Maintien de la position actuelle de l'ICAD/ICMTS 1 : DI1 = MARCHE, DI2 = ARRÊT => Réduction du degré d'ouverture de l'ICMTS DI1 = ARRÊT, DI2 = MARCHE => Augmentation du degré d'ouverture de l'ICMTS DI1 = DI2 = ARRÊT => Maintien de la position actuelle de l'ICAD/ICMTS DI1 = DI2 = MARCHE => Maintien de la position actuelle de l'ICAD/ICMTS

Suite page suivante....

FRANÇAIS

Liste des paramètres (suite)

du marché	Paramètre ICAD	Min.	Max.	Réglage d'usine	Enregistré	Unité	Mot de passe	Commentaires
En mode tout ou rien Vitesse de fermeture	i14	0	100	50/100	✓	-	Non	Voir i04 . Non applicable à la vanne CVE. Si i26 = 1 - 3, le réglage d'usine = 100 Si i26 = 4 - 10, le réglage d'usine = 50
Point de consigne manuel	i15	0	100	0			Non	Lorsque i01 = 2, i15 détermine la valeur de démarrage.
Fonctionnement de l'encodeur	i16	0	1	1	✓		oui	N.B. : Protection par mot de passe. Mot de passe = 7 0 : Encodeur désactivé. Signifie que l'ICAD fonctionne comme l'ICAD 600A/ICAD 600A-TS/1200A sans encodeur 1 : Encodeur activé
Fermeture forcée lorsque le degré d'ouverture de la vanne ICMTS < 3 %	i17	0	1	0	✓	-	Non	Activez/désactivez la fermeture forcée. Activez/désactivez la fermeture forcée. Non applicable à la vanne CVE. 0 : Lorsque le degré d'ouverture de la vanne ICMTS < 3 %, la vanne est contrainte de se fermer quel que soit le degré d'ouverture demandé 1 : Lorsque le degré d'ouverture de la vanne ICMTS < 3 %, aucune fermeture forcée ne se produit
Configuration de la vanne	i26	0	9	0	✓		oui	N.B. : Protection par mot de passe. Mot de passe = 11 0 : Aucune vanne sélectionnée. L'alarme A1 est activée. 1 : ICM 20 avec ICAD 600A/ICMTS 20 avec ICAD 600TS-A 2 : ICM 25 avec ICAD 600A 3 : ICM 32 avec ICAD 600A 4 : ICM 40 avec ICAD 1200A 5 : ICM 50 avec ICAD 1200A 6 : ICM 65 avec ICAD 1200A 7 : ICM 100 avec ICAD 1200A 8 : ICM 125 avec ICAD 1200A 9 : ICM 150 avec ICAD 1200A 10 : Vanne pilote CVE avec ICAD 1200A

Service

du marché	Nom de la vanne	Min.	Max.	Réglage d'usine	Enregistré	Unité	Mot de passe	Commentaires
OD en %	i50	0	100	-		%	-	Degré d'ouverture de la vanne ICM / paramètre de pression CVE
AI [mA]	i51	0	100	-		mA	-	Signal d'entrée AI en tension
AI [V]	i52	0	100	-		V	-	Signal d'entrée AI en tension
AO [mA]	i53	0	100	-		mA	-	Signal de sortie AO
DI	i54	0	1	-		-	-	Signaux DI. En fonction de i02 Si i02 = 2, un chiffre s'affiche. Voir fig. 8. 0 : DI1 = ARRÊT 1 : DI1 = MARCHE Si i02 = 3, deux chiffres s'affichent. Consultez fig. 9. 00 : DI1 = ARRÊT, DI2 = ARRÊT 10 : DI1 = MARCHE, DI2 = ARRÊT 01 : DI1 = ARRÊT, DI2 = MARCHE 11 : DI1 = MARCHE, DI2 = MARCHE
DO fermée	i55	0	1	-		-	-	État fermé de DO. En MARCHE lorsque OD < 3 %
DO ouverte	i56	0	1	-		-	-	État ouvert de DO. En MARCHE lorsque OD > 97 %
Alarme de DO	i57	0	1	-		-	-	État d'alarme de DO. En MARCHE lorsqu'une alarme est détectée
Affichage mP SW ver.	i58	0	100	-		-	-	Version du logiciel du microprocesseur d'affichage
Moteur mP SW ver.	i59	0	100	-		-	-	Version du logiciel du microprocesseur du moteur

Réinitialisation des réglages d'usine :

1. Retirez l'alimentation.
2. Enfoncez simultanément les boutons flèche vers le bas et flèche vers le haut.
3. Rebranchez l'alimentation.
4. Relâchez les boutons flèche vers le bas et flèche vers le haut.
5. Lorsque l'ICAD (fig. 2) affiche alternativement **CA** et **A1**, la réinitialisation des réglages d'usine est terminée.

Instalación



Lleve a cabo la soldadura antes de instalar el actuador ICAD (tanto eléctrica como mecánicamente).

Tenga en cuenta que, al conectar el actuador ICAD a una tensión de 24 V c.c., este envía ruido acústico en condiciones de parada. Dicho efecto no influye en las funciones ni el funcionamiento del actuador ICAD.

Uso

Los actuadores ICAD 600A, ICAD 600A-TS e ICAD 1200A se pueden usar en conjunto con las siguientes válvulas Danfoss (figs. 1, 5a y 5b).

ICAD 600A	ICAD 600A-TS	ICAD 1200A
ICM 20	ICM TS 20	ICM 40
ICM 25		ICM 50
ICM 32		ICM 65
		ICM 100
		ICM 125
		ICM 150
		Válvula piloto CVE

Datos Eléctricos

La tensión de alimentación está galvánicamente aislada de la entrada y la salida.

Tensión de alimentación

24 V c.c. (consulte las tolerancias en la tabla siguiente)

Carga ICAD 600A, ICAD 600A-TS: 1,2 A
ICAD 1200A: 2,0 A



**SÓLO 24 V c.c.
Preste atención a la caída de tensión provocada por el cable.**

La distancia entre el transformador de c.c. y la caja terminal del actuador ICAD puede causar una caída de tensión. El grosor de los cables y el tamaño del transformador de c.c. deben calcularse de modo que la tensión **en la caja terminal del actuador ICAD***, tanto con el actuador en parada como en funcionamiento, no supere en ningún momento los límites indicados a continuación:

Longitud del cable ICAD prefabricado Código	1,5 m	3 m	10 m	15 m	
	027H0426	027H0438	027H0427	027H0435	
Tensión en los terminales del actuador ICAD (600A/1200A) [V c.c.]	Min.	21	22	23	24
	Max.	26,4			

* No lleve a cabo la medida en el interior del propio actuador ICAD.

Alimentación de seguridad

24 V c.c. (consulte las tolerancias en la tabla anterior)

Carga ICAD 600A, ICAD 600A-TS: 1,2 A
ICAD 1200A: 2,0 A

Entrada analógica (corriente o tensión)

Corriente

0/4-20 mA
Carga: 200 Ω

Tensión

0/2-10 V c.c.
Carga: 10 kΩ

Salida analógica

0/4-20 mA
Carga: ≤ 250 Ω

Entrada digital (se emplea una entrada ON/OFF digital de tensión mediante contactos de libre potencial; se recomienda el uso de relés de señal/telecomunicación con contactos chapados en oro)

ON: Impedancia de contacto < 50 Ω
OFF: Impedancia de contacto > 100 kΩ

Salida digital: 3 salidas de transistor NPN

Alimentación externa: 5-24 V c.c. (puede emplearse la misma alimentación aplicada al actuador ICAD, pero debe considerarse que, en tal caso, el sistema galvánicamente aislado quedará inhabilitado)

Carga de salida: 50 Ω
Carga: 50 mA, máx.

Rango de temperatura (ambiente)

-30 °C/+50 °C (-22 °F/122 °F).

Protección

IP 67 (~NEMA 6).

Conexión eléctrica

La conexión al actuador ICAD se lleva a cabo empleando conectores M12. El actuador ICAD posee dos conectores M12 macho incorporados:

Fuente de alimentación: conector macho M12 de 4 polos.

Señales de control: conector macho M12 de 8 polos. Si el actuador ICAD se suministra con cables (1,5 m (60 in)) y conectores hembra M12: ponemos a su disposición juegos de cables con conectores hembra M12 de otras longitudes.

Cable de alimentación con conectores hembra M12 de 4 polos

- 3 x 0,34 mm² (3 x ~22 AWG) (fig. 6)
- I: Negro (+) Alimentación de seguridad, 19-24 V c.c. (opcional)
- II: Blanco (+) 24 V c.c.
- III: Marrón (-) 24 V c.c.

Cable de control con conectores hembra M12 de 8 polos 7 x 0,25 mm² (7 x ~24 AWG) (fig. 7)

- A: Negro (-) Salida digital. Alarma común.
- B: Marrón (-) Salida digital. ICM completamente abierta.
- C: Rojo (-) Salida digital. ICM completamente cerrada.
- D: Naranja (-) GND (masa).
- E: Amarillo (+) Entrada analógica, 0/4-20 mA.*
- F: Verde (+) Entrada analógica 0/2-10 V/ DI1 (entrada digital ON/OFF).
- G: Azul (+) Salida analógica, 0/4-20 mA.*

* Si se selecciona la función de zona neutra/control de 3 puntos (parámetro i02 = 3), los terminales E y G se usarán como DI2 (entrada digital ON/OFF). Consulte la fig. 9.

Instalación eléctrica

Procedimiento general para la instalación de actuadores ICAD 600A/ICAD 600A-TS/1200A en válvulas ICM, ICMTS y CVE.

Deben llevarse a cabo todas las conexiones eléctricas necesarias.

Válvula ICM: control analógico o digital.
Válvula CVE/ICMTS: sólo control analógico.

Fig. 6

- **Control analógico:** cable de 7 conductores (A-G) Control por modulación. La válvula deberá controlarse con electrónica Danfoss (EKC/EKE, fig. 7) o electrónica de otro fabricante (como, por ejemplo, un controlador PLC).
 - Conecte las señales de entrada analógicas. Corriente (mA) o tensión (V). Consulte la **Lista de parámetros** si desea conocer la configuración de las señales de entrada analógicas.
 - Los conductores amarillo (+) y naranja (GND) se usan como entrada de corriente (mA).
 - o
 - Los conductores verde (+) y naranja (GND) se usan como entrada de tensión (V).
 - Los conductores azul (+) y naranja (GND) se usan (opcionalmente) como salida de corriente (mA).

Fig. 6

- **Control digital:** cable de 7 conductores (A-G) Control ON/OFF de la válvula solenoide. La válvula ICM deberá controlarse mediante un contacto digital de libre potencial.
 - Conecte las señales de entrada digitales (fig. 8). Consulte la **Lista de parámetros** si desea conocer la configuración de las señales de entrada digitales.
 - Los conductores verde (+) y naranja (GND) se conectan a un contacto de libre potencial. Las señales de salida digitales son opcionales, no obligatorias.
 - Los conductores negro (-) y naranja (GND) se conectan a un relé auxiliar de alarma común.
 - Los conductores marrón (-) y naranja (GND) se conectan a un relé auxiliar que indica la apertura completa de la válvula ICM.

- Los conductores rojo (-) y naranja (GND) se conectan a un relé auxiliar que indica el cierre completo de la válvula ICM.

- **Tensión de alimentación:** cable de 3 conductores (I, II y III) El actuador ICAD debe conectarse a una fuente de alimentación de 24 V c.c. normal. Opcionalmente, puede incorporarse una fuente de alimentación de seguridad mediante una batería o un SAI (sistema de alimentación ininterrumpida). Al aplicar tensión según lo descrito a continuación, el actuador ICAD quedará preparado para la configuración. Consulte la **Lista de parámetros**.

El actuador ICAD se puede configurar independientemente de si está instalado en la válvula o no.

Consulte la sección Instalación mecánica.

- Conecte los conductores blanco (+) y marrón (-) a una tensión de alimentación de 24 V c.c. (fig. 6).

La fuente de alimentación de seguridad es opcional (no obligatoria).

- Conecte los conductores negro (+) y marrón (-) a una fuente de alimentación de seguridad.

Instalación mecánica

Procedimiento general para la instalación de actuadores ICAD 600A/ICAD 600A-TS/1200A en cualquier válvula (fig. 3).

- Compruebe que los tres tornillos de ajuste se encuentren completamente desenroscados girándolos en sentido contrario a las agujas del reloj con una llave hexagonal de 2,5 mm.
- Monte el actuador ICAD depositándolo lentamente sobre la válvula.
- El acoplamiento magnético garantizará la unión de la válvula al actuador ICAD en la posición correcta.
- Presione el actuador ICAD para encajarlo.
- Fije la válvula al actuador ICAD con los tres tornillos de ajuste, empleando una llave hexagonal de 2,5 mm.



El sello de humedad especial resultará dañado si se retiran los tornillos (fig. 3, pos. A).

Zona neutra/control de 3 puntos (fig. 9, sólo ICM) i02 = 3

Cuando i02 = 3, el ajuste de fábrica de i04 (apertura) y i14 (cierre) se establece a 10. Cuando i02 = 3, la velocidad entregada por i04 (apertura) y i14 (cierre) está activa.

i13 (control inverso) está activo
i16 = 1 (control con codificador habilitado) está activo.

i13 = 0 (control directo)
DI1 = DI2 = OFF
El actuador ICAD/la válvula ICM mantienen la posición actual.
DI1 = DI2 = ON
El actuador ICAD/la válvula ICM mantienen la posición actual.
DI1 = ON, DI2 = OFF
El actuador ICAD aumenta el grado de apertura.
DI1 = OFF, DI2 = ON
El actuador ICAD reduce el grado de apertura.

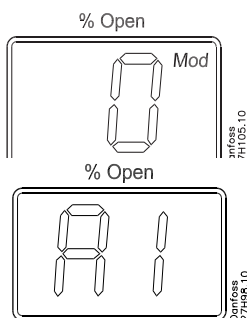
i13 = 1 (control inverso)
DI1 = DI2 = OFF
El actuador ICAD mantiene la posición actual.
DI1 = DI2 = ON
El actuador ICAD mantiene la posición actual.
DI1 = ON, DI2 = OFF
El actuador ICAD reduce el grado de apertura.
DI1 = OFF, DI2 = ON
El actuador ICAD aumenta el grado de apertura.

* Tensión externa (External voltage)
** Alimentación (Supply)
*** Control (Control)

ESPAÑOL

Puesta en marcha

Al aplicar tensión por primera vez, la pantalla del actuador ICAD (fig. 2) muestra, sucesivamente: el grado de apertura real y **A1**.



A1 indica una alarma que significa que no se ha seleccionado ninguna válvula. Consulte la sección **Alarmas** si desea obtener más información.

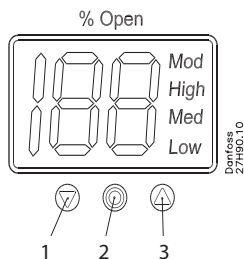
Recuerde que, al introducir la válvula correcta en el parámetro **¡26** (consulte la **Lista de parámetros**), tiene lugar una calibración automática. Como resultado, no es necesario llevar a cabo otra calibración empleando el parámetro **¡05**.

Durante la calibración, parpadeará en la pantalla el mensaje "CA".

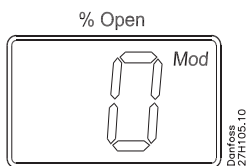
El actuador ICAD mostrará brevemente el mensaje "CS" cada vez que la válvula vaya a cerrarse y alcance el 0 %.

Funcionamiento general

El actuador ICAD está equipado con una interfaz IHM (siglas de "Interfaz Hombre-Máquina"), que facilita la consulta y modificación de los diferentes parámetros para adaptar el actuador ICAD y la válvula ICM correspondiente a la aplicación de refrigeración en cuestión. El control de los parámetros se lleva a cabo por medio de la interfaz IHM integrada en el actuador ICAD (fig. 2), que consiste en:

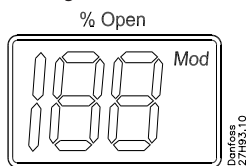


- Botón de dirección hacia abajo (fig. 2, pos. 1), que permite reducir el valor de un parámetro en 1 unidad por cada pulsación.
- Botón de entrada (fig. 2, pos. 2).
 - Proporciona acceso a la **Lista de parámetros** al mantenerlo pulsado durante 2 segundos. A continuación se muestra una **Lista de parámetros** (parámetro **¡08**):



- Permite modificar un valor tras acceder a la **Lista de parámetros**.
- Permite confirmar y guardar el valor de un parámetro después de modificarlo.
- Para abandonar la **Lista de parámetros** y volver a la pantalla de grado de apertura (OD, por sus siglas en inglés), mantenga pulsado el botón durante 2 segundos.

- Botón de dirección hacia arriba (fig. 2, pos. 3).
 - Permite aumentar el valor de un parámetro en 1 unidad por cada pulsación.
- Pantalla (fig. 2, pos. 4).
 - Normalmente, muestra el grado de apertura (OD) de la válvula en porcentaje (0-100 %). Si no se pulsa ningún botón durante 20 segundos, la pantalla mostrará constantemente el grado de apertura (OD). Consulte la siguiente ilustración:

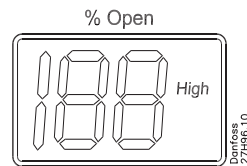


- Muestra el parámetro.
- Muestra el valor actual de un parámetro.

- Muestra el estado por medio de texto (fig. 2, pos. 4).

- **Mod** indica que el actuador ICAD controla la válvula ICM, ICMTS o CVE de acuerdo con una señal de entrada analógica (de corriente o tensión).
- **Low** indica que el actuador ICAD controla la válvula ICM como si se tratase de una válvula solenoide ON/OFF de baja velocidad, de acuerdo con una señal de entrada digital.
- **Med** indica que el actuador ICAD controla la válvula ICM como si se tratase de una válvula solenoide ON/OFF de velocidad media, de acuerdo con una señal de entrada digital.

- **High** indica que el actuador ICAD controla la válvula ICM como si se tratase de una válvula solenoide ON/OFF de alta velocidad, de acuerdo con una señal de entrada digital. Consulte la siguiente ilustración:



Alarmas

El actuador ICAD puede gestionar y mostrar diferentes alarmas.

Cuando se detecta una alarma, la pantalla del actuador ICAD (fig. 2) muestra alternativamente la alarma detectada y el grado de apertura actual.

Si existe más de una alarma activa simultáneamente, sólo se mostrará la alarma con mayor prioridad. La alarma **A1** posee la máxima prioridad, mientras que la **A9** posee la mínima.

Todas las alarmas activas activan la salida de alarma digital común (normalmente abierta).

Todas las alarmas se restablecen automáticamente cuando desaparecen físicamente.

Las alarmas antiguas (aquellas que han estado activas pero han desaparecido físicamente) se pueden consultar a través del parámetro **¡11**.

Nota acerca de la eliminación



Este producto contiene componentes eléctricos y no puede eliminarse junto con los residuos domésticos.

En su lugar, debe ser recogido como un residuo eléctrico y electrónico, de acuerdo con la legislación aplicable en vigor.

Descripción	Texto de alarma del actuador ICAD	Definición del evento	Observaciones
No se ha seleccionado ningún tipo de válvula	A1	Alarma ON	Se mostrará el mensaje A1 durante la puesta en marcha.
Fallo del controlador	A2	Alarma ON	Fallo interno de la electrónica. Lleve a cabo los pasos descritos a continuación: 1) Apague y encienda el actuador. Si la alarma A2 permanece activa: 2) Restablezca el ajuste de fábrica. Si la alarma A2 permanece activa: Devuelva el actuador ICAD a Danfoss.
Error en entrada AI	A3	Alarma ON	No activo si ¡01 = 2, o ¡02 = 2. Cuando ¡03 = 1 y AI A > 22 mA. Cuando ¡03 = 2 y AI A > 22 mA o AI A < 2 mA. Cuando ¡03 = 3 y AI A > 12 V. Cuando ¡03 = 4 y AI A > 12 V o AI A < 1 V.
Baja tensión o alimentación de seguridad	A4	Alarma ON	Si 5 V < alimentación de seguridad < 18 V. Habilitado por ¡08 .
Comprobar alimentación del actuador ICAD	A5	Alarma ON	Si tensión de alimentación < 18 V.
Error durante la calibración ampliada.	A6	Alarma ON	Compruebe el tipo de válvula seleccionado. Compruebe la presencia de cuerpos extraños en el interior de la válvula.
Alarma de temperatura interna	A7	Alarma ON	La temperatura del motor de etapas es demasiado alta. Ventile el actuador ICAD o reduzca la temperatura ambiental.
	A8	Alarma ON	La temperatura del motor de etapas es demasiado alta. Ventile el actuador ICAD o reduzca la temperatura ambiental.
Válvula bloqueada	A9	Alarma ON	Sólo activo si ¡16 = 1. Si la válvula permanece bloqueada durante más de 15 segundos. La válvula se detiene y mantiene su posición. El mensaje "A9" parpadea en la pantalla. La alarma A9 sólo se puede restablecer apagando y encendiendo el actuador ICAD.

Lista de parámetros (válida desde ¡58:11 y ¡59:39 en adelante)



El primer parámetro que se debe introducir es: ¡26.

Descripción	Parámetro del actuador ICAD	Mín.	Máx.	Ajuste de fábrica	Guardado	Unidad	Contra-seña	Observaciones
Grado de apertura (OD)	-	0	100			%	-	El grado de apertura de la válvula ICM/ICMSTS (ajuste de presión de la válvula CVE) se muestra durante el funcionamiento normal. Valor en pantalla (consulte los parámetros ¡01 a ¡05).
Interruptor principal	¡01	1	2	1	✓	-	No	Interruptor principal interno 1: Funcionamiento normal. 2: Funcionamiento manual. El grado de apertura de la válvula parpadeará. Es posible introducir el grado de apertura (OD) manualmente empleando los botones de dirección hacia abajo y hacia arriba.
Modo	¡02	1	2	1	✓	-	No	Modo de control 1: Modulante: la posición de la válvula ICM, ICMSTS o CVE se determina en función de la entrada analógica (consulte el parámetro ¡03). 2: ON/OFF (sólo ICM): la válvula ICM funciona como una válvula solenoide ON/OFF controlada mediante la entrada digital. Consulte también el parámetro ¡09. 3: Zona neutra/control de 3 puntos (sólo ICM). Aumento/reducción del grado de apertura mediante la entrada digital. Consulte la fig. 9.
Señal AI	¡03	1	4	2	✓	-	No	Tipo de señal AI transmitida por el controlador externo 1: 0-20 mA. 2: 4-20 mA. 3: 0-10 V. 4: 2-10 V.
Velocidad En modo modulante: velocidad de apertura/cierre En modo ON/OFF: velocidad de apertura	¡04	1	100	50/ 100	✓	-	No	La velocidad se puede reducir. La velocidad máx. es del 100 %; este parámetro no está activo en el modo manual (¡01 = 2). Para válvulas CVE, la velocidad no debe ser superior a 50 (ajuste de fábrica). Si ¡26 = 1-3, ajuste de fábrica = 100. Si ¡26 = 4-10, ajuste de fábrica = 50. Si la válvula se está abriendo y (¡04 <= 33) o la válvula se está cerrando y (¡14 <= 33) => se mostrará "Low". Si la válvula se está abriendo y (33 < ¡04 <= 66) o la válvula se está cerrando y (33 < ¡14 <= 66) => se mostrará "Med". => se mostrará "Med". Si la válvula se está abriendo y (¡04 >= 67) o la válvula se está cerrando y (¡14 >= 67) => se mostrará "High".
Calibración automática	¡05	0	2	0		-	No	Inactivo hasta usar el parámetro ¡26. Siempre se restablece automáticamente a 0. Si se mantiene pulsado el botón de entrada durante dos segundos, parpadeará el mensaje "CA" en la pantalla durante la calibración. 0: Sin calibración. 1: Calibración normal forzada (el mensaje "CA" parpadeará lentamente). 2: Calibración ampliada (el mensaje "CA" parpadeará rápidamente).
Señal AO	¡06	0	2	2	✓	-	No	Tipo de señal AO de posición de la válvula ICM. 0: Sin señal. 1: 0-20 mA. 2: 4-20 mA.
Modo de seguridad	¡07	1	4	1	✓	-	No	Permite definir la acción que debe realizar el actuador en caso de interrupción del suministro eléctrico, si existe una fuente de alimentación de seguridad instalada. 1: Cerrar la válvula. 2: Abrir la válvula. 3: Mantener la posición de la válvula. 4: Adquirir el grado de apertura (OD) indicado por el parámetro ¡12.
Fuente de alimentación de seguridad	¡08	0	1	0	✓		Sí	Fuente de alimentación de seguridad conectada y habilitación de la alarma A4: 0: No. 1: Sí.
Función DI	¡09	1	2	1	✓		No	Permite definir la función cuando la entrada DI presenta el nivel ON (terminales de la entrada DI cortocircuitados), si ¡02 = 2. 1: Abrir la válvula ICM (DI = OFF => cerrar la válvula ICM). 2: Cerrar la válvula ICM (DI = OFF => abrir la válvula ICM).
Contraseña	¡10	0	199	0		-	-	Introduzca el número que debe proporcionar acceso a los parámetros protegidos por contraseña: ¡26. Contraseña = 11.
Alarmas antiguas	¡11	A1	A99	-		-	No	La lista de alarmas antiguas muestra las más recientes en primer lugar. La lista de alarmas se puede restablecer manteniendo pulsados los botones de dirección hacia abajo y dirección hacia arriba durante 2 segundos.
Salida OD en caso de interrupción del suministro eléctrico	¡12	0	100	50	✓		No	Sólo activo si ¡07 = 4. Si existe una fuente de alimentación de seguridad conectada y tiene lugar una interrupción del suministro eléctrico, la válvula adquirirá el grado de apertura (OD) especificado.
Control inverso	¡13	0	1	0	✓		No	Cuando ¡02 = 1: 0: Aumento de la señal de entrada analógica => aumento del grado de apertura de la válvula ICM. 1: Aumento de la señal de entrada analógica => reducción del grado de apertura de la válvula ICM. Cuando ¡02 = 3: 0: DI1 = ON, DI2 = OFF => Aumento del grado de apertura de la válvula. DI1 = OFF, DI2 = ON => Reducción del grado de apertura de la válvula. DI1 = DI2 = OFF => El actuador ICAD/la válvula ICM mantienen la posición actual. DI1 = DI2 = ON => El actuador ICAD/la válvula ICM mantienen la posición actual. 1: DI1 = ON, DI2 = OFF => Reducción del grado de apertura de la válvula ICM. DI1 = OFF, DI2 = ON => Aumento del grado de apertura de la válvula ICM. DI1 = DI2 = OFF => El actuador ICAD/la válvula ICM mantienen la posición actual. DI1 = DI2 = ON => El actuador ICAD/la válvula ICM mantienen la posición actual.

continúa...

ESPAÑOL
Lista de parámetros

(continuación)

Descripción	Parámetro del actuador ICAD	Mín.	Máx.	Ajuste de fábrica	Guardado	Unidad	Contraseña	Observaciones
En modo ON/OFF: velocidad de cierre	¡14	0	100	50/ 100	✓	-	No	Consulte el parámetro ¡04. No válido para válvulas CVE. Si ¡26 = 1-3, ajuste de fábrica = 100. Si ¡26 = 4-10, ajuste de fábrica = 50.
Punto de ajuste manual	¡15	0	100	0			No	Cuando ¡01 = 2, ¡15 determina el valor de puesta en marcha.
Control del codificador	¡16	0	1	1	✓		Sí	Nota: Protegido por contraseña. Contraseña = 7. 0: Codificador deshabilitado. Como resultado, el actuador ICAD funcionará como un actuador ICAD 600A/ICAD 600A-TS/1200A sin codificador. 1: Codificador habilitado.
Cierre forzado cuando el grado de apertura de la válvula ICM < 3 %	¡17	0	1	0	✓	-	No	Habilitación/deshabilitación del cierre forzado. No válido para válvulas CVE. 0: Cuando el grado de apertura de la válvula ICM < 3 %, se fuerza el cierre independientemente del grado de apertura solicitado a la válvula ICM. 1: Cuando el grado de apertura de la válvula ICM < 3 %, no se fuerza el cierre.
Configuración de la válvula	¡26	0	9	0	✓		Sí	Nota: Protegido por contraseña. Contraseña = 11. 0: No se ha seleccionado ninguna válvula ICM. Se activa la alarma A1. 1: Válvula ICM 20 con actuador ICAD 600A/válvula ICMTS 20 con actuador ICAD 600A-TS. 2: Válvula ICM 25 con actuador ICAD 600A. 3: Válvula ICM 32 con actuador ICAD 600A. 4: Válvula ICM 40 con actuador ICAD 1200A. 5: Válvula ICM 50 con actuador ICAD 1200A. 6: Válvula ICM 65 con actuador ICAD 1200A. 7: Válvula ICM 100 con actuador ICAD 1200A. 8: Válvula ICM 125 con actuador ICAD 1200A. 9: Válvula ICM 150 con actuador ICAD 1200A. 10: Válvula piloto CVE con actuador ICAD 1200A.

Inspección

Descripción	Nombre de la válvula	Mín.	Máx.	Ajuste de fábrica	Guardado	Unidad	Contraseña	Observaciones
% OD	¡50	0	100	-		%	-	Grado de apertura de la válvula ICM/ajuste de presión de la válvula CVE.
AI [mA]	¡51	0	100	-		mA	-	Señal AI.
AI [V]	¡52	0	100	-		V	-	Señal AI.
AO [mA]	¡53	0	100	-		mA	-	Señal AO.
DI	¡54	0	1	-		-	-	Señales DI. Dependen del parámetro ¡02. Si ¡02 = 2, se muestra un dígito. Consulte la fig. 8. 0: DI1 = OFF. 1: DI1 = ON. Si ¡02 = 3, se muestran dos dígitos. Consulte la fig. 9. 00: DI1 = OFF, DI2 = OFF. 10: DI1 = ON, DI2 = OFF. 01: DI1 = OFF, DI2 = ON. 11: DI1 = ON, DI2 = ON.
Salida DO cerrada	¡55	0	1	-		-	-	Salida DO en estado de cierre. ON cuando OD < 3 %.
Salida DO abierta	¡56	0	1	-		-	-	Salida DO en estado de apertura. ON cuando OD > 97 %.
Alarma de salida DO	¡57	0	1	-		-	-	Salida DO en estado de alarma. ON cuando se detecta una alarma.
Versión de software, mP pantalla	¡58	0	100	-		-	-	Versión de software del microprocesador de la pantalla.
Versión de software, mP motor	¡59	0	100	-		-	-	Versión de software del microprocesador del motor.

Volver a ajustes de fábrica:

- Desconectar la alimentación eléctrica.
- Pulsar y mantener pulsados los botones de flecha hacia arriba y flecha hacia abajo al mismo tiempo.
- Conectar la alimentación eléctrica.
- Dejar de pulsar los dos botones de flecha hacia arriba y flecha hacia abajo.
- Cuando el display del ICAD (fig. 2) muestra alternativamente: **CA** y **A1**, se ha completado el reajuste a valores de fábrica.

